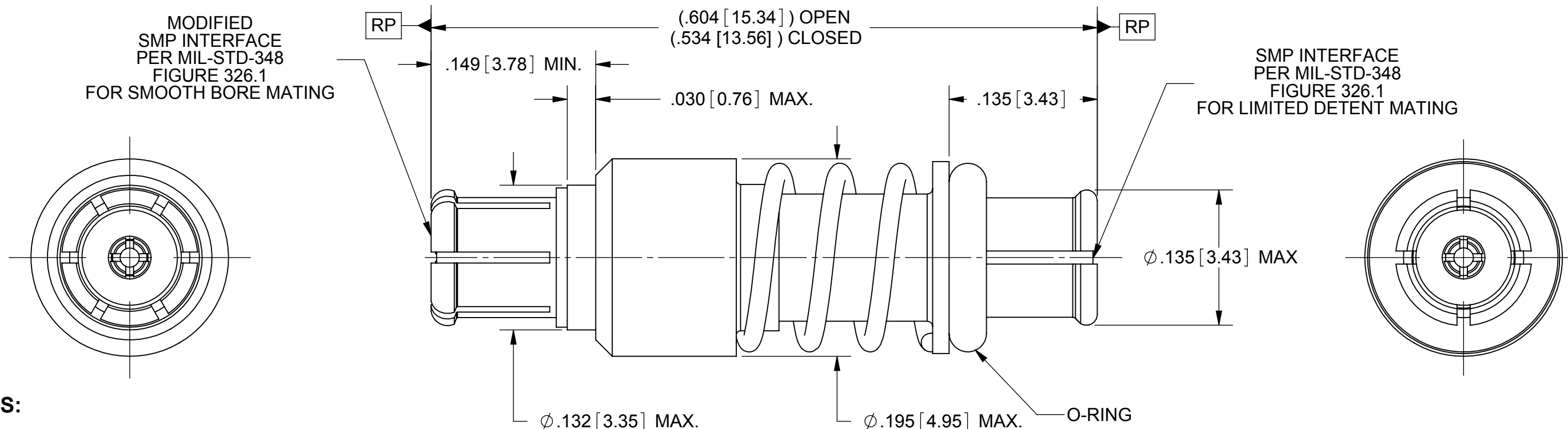


PRODUCT DATA DRAWING

REVISION HISTORY			
REV	DESCRIPTION	DATE	APPROVED
-	DCN 36469	02/09	JMC
A	DCN 39762	04/13	EFT
B	DCN 39763	04/13	EFT



MATERIALS:

- BODY & CONTACT: BERYLLIUM COPPER PER ASTM B196, ALLOY No. UNS C17300, TD04.
- INSULATORS: PTFE PER ASTM D1710.
- SPRING: STAINLESS STEEL PER AMS-5678, ALLOY S17700.
- O-RING: SILICONE RUBBER PER A-A-59588, CLASS 2A, GRADE 70.

FINISHES:

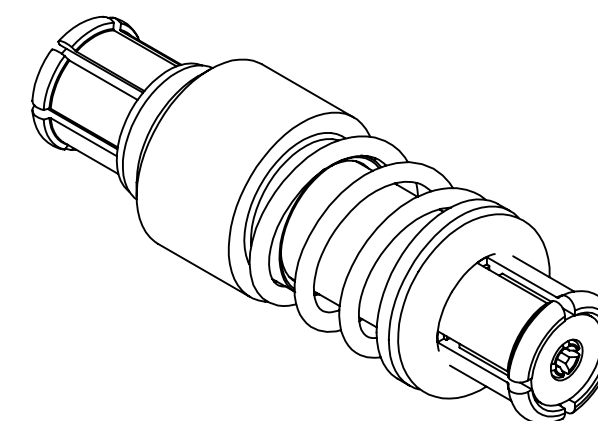
- BODY& CONTACT: GOLD PER ASTM B488, TYPE I GRADE C, CLASS 1.27, OVER ELECTRO-LESS NICKEL PER AMS-2404, CLASS 4, .00050" MINIMUM.
- SPRING: PASSIVATED PER ASTM A967

PERFORMANCE:

- IMPEDANCE: 50 ± 1 OHMS
- FREQ. RANGE: DC - 40 GHz
- VSWR: 1.30:1, DC - 12 GHz
1.40:1, 12 - 18 GHz
1.60:1, 18 - 40 GHz
- INSERTION LOSS: 0.4 dB, DC - 12 GHz
0.6 dB, 12 - 18 GHz
0.8 dB, 18 - 40 GHz
- DWV: 500 VRMS
- INSULATION RES.: 5,000 MEGOHMS MIN

WEIGHT: 0.06 OUNCES MAX

SPRING FORCE: 4 LBS MAX AT FULL DEFLECTION,
2 LBS MIN PRELOAD.



MATERIAL: SEE NOTES	DIMENSIONS ARE IN INCHES TOLERANCES: FRACTIONAL: ±1/64 ANGULAR: X° ±1'0" X°X' ±15'	UNLESS OTHERWISE SPECIFIED 1) ALL DIMENSIONS ARE IN INCHES (MILLIMETERS) 2) ALL DIMENSIONS ARE AFTER PLATING. 3) BREAK CORNERS & EDGES .005 R. MAX. 4) CHAM. 1ST & LAST THREADS. 5) SURFACE ROUGHNESS 63-MIL-STD-10. 6) DIA: 'S ON COMMON CENTERS TO BE CONCENTRIC WITHIN .005 T.I.R. 7) REMOVE ALL BURRS	SV Microwave, Inc. 2400 Centrepark West Drive, Suite 100 West Palm Beach, FL 33409
FINISH: SEE NOTES	DECIMAL: X ±.030 .XX ±.010 .XXX ±.005	INTERPRET DIMENSIONS AND TOLERANCES PER ASME Y14.5M - 1994	TITLE: SMP TELESCOPIC ADAPTOR
SURFACE AREA: N/A	THIRD ANGLE PROJECTION	DRAWN: PJS 02/13/09	SIZE: B CAGE CODE: 95077 DWG. NO. 1112-4019
PROPRIETARY THE INFORMATION CONTAINED IN THIS DRAWING IS THE SOLE PROPERTY OF SV MICROWAVE, INC. ANY REPRODUCTION IN PART OR AS A WHOLE WITHOUT THE WRITTEN PERMISSION OF SV MICROWAVE, INC IS PROHIBITED.		CHECKED: JMC 02/13/09	SCALE: 10:1
		APPROVED: JMC 02/13/09	SHEET 1 OF 1