

**Features**

- Pre-assembled and pressure tested
- Available in 1", 1 1/4", 1 1/2", & 2" nominal pipe size models
- Female adapter ships loose so riser can be installed in a confined space
- Fits in standard 2X4 construction walls
- Includes 3 way valve to allow for calibration of pressure gauge



**WARNING**

- Installation must be performed by qualified personnel and in accordance with all national and local codes and ordinances.
- Shock hazard. Disconnect power source before servicing. Serious injury or death could result.
- Risk of explosion. Not for use in hazardous locations. Serious injury or death could result.

**Description**

The RD13 Riser (with NPT connectors) is constructed from Listed CPVC products suitable for fire sprinkler services subject to the limitations and installation requirements of Flameguard® CPVC pipe and Spears® CPVC fittings. The RD13 Riser incorporates a VSR-SG flow switch, gauge, and drain/test valve. The VSR-SG flow switch is equipped with union connection to facilitate the installation and removal of the switch in confined spaces.

**Installation**

1. Using appropriate sealant, thread the female adapter on to the main water supply. Then glue the riser assembly to the female adapter. Pipe the drain connection to an adequate drain location capable of handling the drain discharge. The riser can be mounted in the horizontal or vertical position. Direction of flow is indicated in Fig. 1. The waterflow switch must be located on the top or on the side of the pipe when installed in the horizontal position. This will prevent debris from entering the throat of the waterflow switch which could interfere with proper operation.
2. Following CPVC manufacturer's instructions for preparation and gluing of CPVC piping systems, glue the main riser to the main supply line for the sprinkler heads. **NOTE:** All glued connections must be completed and cured before the flowswitch is installed. (Continued on page 2).

**CAUTION**

Do not over-tighten the union nut, hand tighten only. Use of a wrench may cause damage to the union nut.

**Flow Switch Technical Specifications**

Dimensions	See Fig 2
Service Pressure	175 PSI (12,07 BAR)
Flow Sensitivity Range for Signal	4-10 GPM (15-38 LPM) - UL
Maximum Surge	18 FPS (5.5 m/s)
Contact Ratings	Two sets of SPDT (Form C) 10.0 Amps at 125/250VAC 2.0 Amps at 30VDC Resistive 10 m Amps min. at 24V DC Resistive
Environmental Limitations	Temperature range: 40°F-120°F (4.5°C-49°C)
Conduit Entrances	Two knockouts provided for 1/2" conduit

Specifications subject to change without notice

**Service Use**

Automatic Sprinkler NFPA-13  
One or two family dwelling NFPA-13D  
Residential occupancy up to four stories NFPA-13R  
National Fire Alarm Code NFPA-72  
British Standard BS9251

## Installation (Continued)

3. A thread sealant shall be used in making threaded connections. Teflon® thread tape is the recommended sealant. Some thread sealants other than Teflon thread tape contain solvents or other materials that may be damaging to CPVC. For other types of thread sealants, which have been specifically investigated and confirmed to be “System Compatible”, refer to [www.spearsmfg.com](http://www.spearsmfg.com). Attach gauge to riser. Apply Teflon® tape to male fitting of gauge only. See Fig 1.
4. Check to make sure the proper paddle is installed on the switch. (Paddle size must match the riser pipe size and Tee manufacture.)
5. Install the flow switch to the RD13 Riser. **Verify that the o-ring is properly positioned in its groove.** Hand tighten the nut to the union after orienting the flow switch in the appropriate direction to detect waterflow. The paddle must not rub the inside of the Tee or bind in any way. The stem should move freely when operated by hand. See Fig. 1. **NOTE:** Do not leave switch cover off for an extended period of time.
6. The side of flow switch must be perpendicular with the riser piping. See Fig. 3.

## Testing

The frequency of inspection and testing for the Model VSR-SG and its associated protective monitoring system, should be in accordance with applicable Codes and Standards and/or the authority having jurisdiction (manufacturer recommends quarterly or more frequently.) If provided, the inspector’s test valve (usually located at the end of the most remote branch line) should be used for test purposes. If there is no remote inspection test connection; a short length of hose may be connected to the discharge of the 1” drain line valve, or if the drain line is connected to a drain such as a slop sink or storm drain that will sufficiently handle the discharge of the main drain valve. The drain valve can be used to test the operation of the VSR-SG switch. A minimum flow of 10 GPM (38 LPM) is required to activate this switch. An orifice equal to the smallest sprinkler head orifice used in the system shall be attached to the drain line for testing purposes.

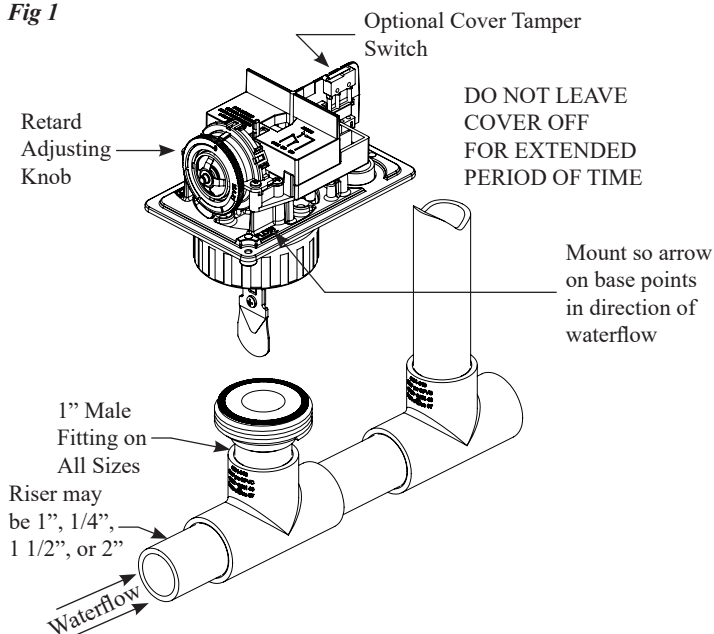
## Maintenance

The VSR-SG waterflow switch should provide years of trouble-free service. The retard and switch assembly are easily field replaceable. In the unlikely event that either component does not perform properly, please order replacement retard switch assembly stock number 1029030. There is no maintenance required, only periodic testing and inspection..

## Removal

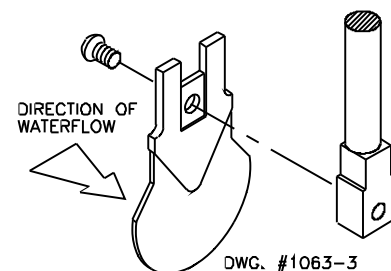
- To prevent accidental water damage, all control valves should be shut tight and the system completely drained before waterflow detectors are removed or replaced.
- Turn off electrical power to the detector, then disconnect wiring.
- Loosen nut on union fitting.
- Lift detector clear of pipe.

Fig 1



## Retard Adjustment

The delay can be adjusted by rotating the retard adjustment knob from 0 to the max setting (60-90 seconds). The time delay should be set at the minimum required to prevent false alarms.



## Important:

The paddles have raised lettering that show the pipe size and the TEE manufacturer they are to be used with. The proper paddle must be used. The paddle must be properly attached and the screw that holds the paddle must be securely tightened.