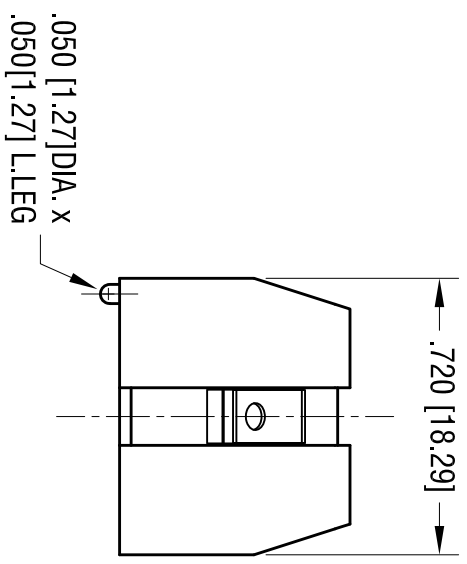
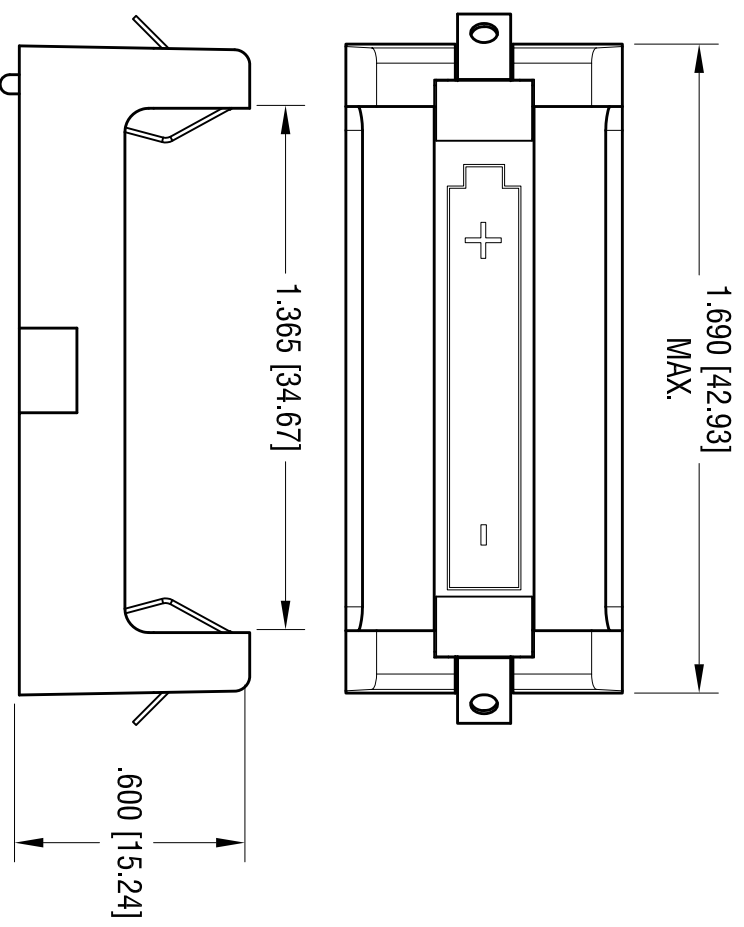
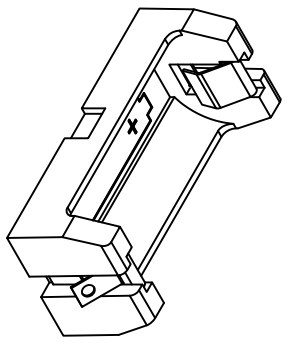


DATE	DESCRIPTION	REV.
6.19.19	CHANGE AS PER ECN 19-058 BASE WAS NYLON NAT'L	A



NOTE:  
 1. BASE:  
 MAT'L: PBT (COLOR BLACK)  
 2. CONTACT:  
 MAT'L: .012 [0.30] THK STAINLESS STEEL  
 FINISH: TIN NICKEL PLATE.



ACTUAL SIZE

THIS DOCUMENT IS THE PROPERTY OF KEYSTONE ELECTRONICS CORP. AND SHALL NOT BE REPRODUCED, DISTRIBUTED OR USED AS A BASIS FOR MANUFACTURE WITHOUT PRIOR WRITTEN PERMISSION FROM KEYSTONE ELECTRONICS CORP.

<b>KEYSTONE ELECTRONICS CORP.</b>			
www.keyelco.com • NEW HYDE PARK, NY 11040 • Tel (516) 328-7500			
PART NAME SOLDER LUG 2/3A BATTERY HOLDER			
MATERIAL AS NOTED			
FINISH	AS NOTED		
TOLERANCES	INCH	[MM]	CODE
DECIMAL	± .010	[± 0.25]	C
ANGULAR	± 1°		
UNLESS OTHERWISE SPECIFIED			
DRN BY	NT	DATE	7.11.16
APP'D	LN	SCALE	2X
DWG NO.		1119	