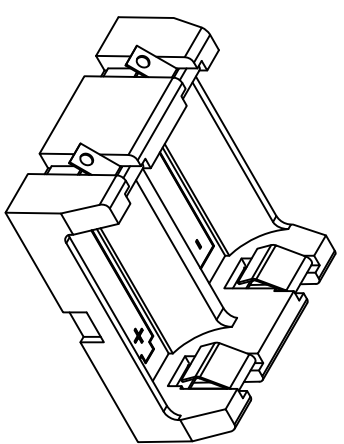
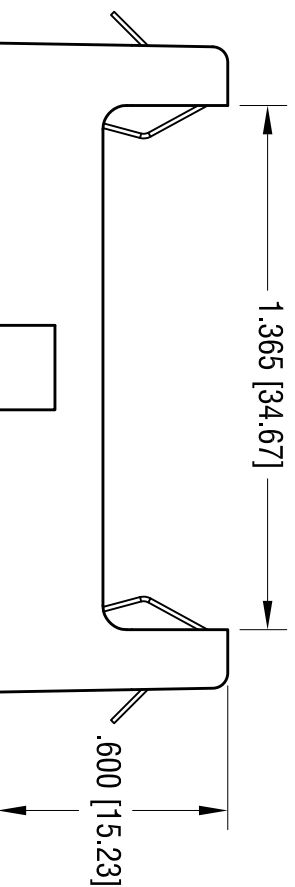
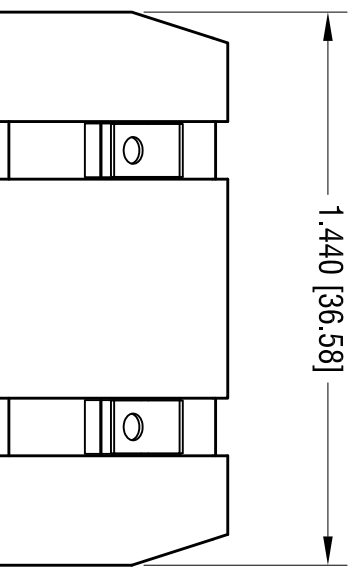
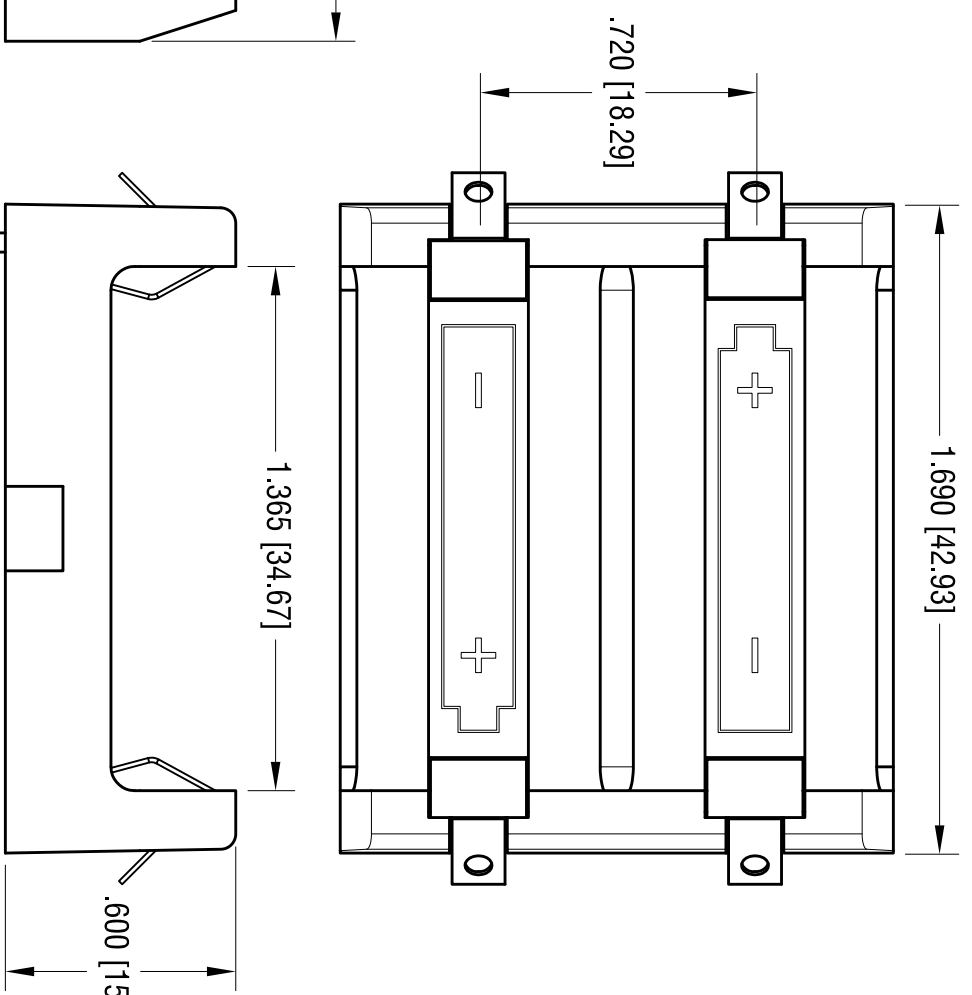


DATE	DESCRIPTION	REV.
6.28.22	CHANGE AS PER ECN 22-106 BASE MAT'L WAS HEAT RESISTANCE NYLON (UL94V-0) STANYL 46	A



ACTUAL SIZE

KEYSTONE ELECTRONICS CORP.

www.keystone.com • NEW HYDE PARK, NY 11040 • Tel (516) 328-7500

PART NAME

SOLDER LUG BATTERY HOLDER, (2) 2/3A

MATERIAL

AS NOTED

FINISH

AS NOTED

NOTE:
1. BASE:
MAT'L: PBT (GRAY COLOR)
2. CONTACT:
MAT'L: .012 [0.30] THK STAINLESS STEEL
FINISH: TIN NICKEL PLATE.

THIS DOCUMENT IS THE PROPERTY OF
KEYSTONE ELECTRONICS CORP. AND
SHALL NOT BE REPRODUCED, DISTRIBUTED
OR USED AS A BASIS FOR MANUFACTURE
WITHOUT PRIOR WRITTEN PERMISSION
FROM KEYSTONE ELECTRONICS CORP.

TOLERANCES	INCH	[MM]	CODE	DWG NO.
DECIMAL	± .010	[± .025]	C	1120
ANGULAR	± 1°			

FINISH	AS NOTED	DRN BY	DATE
AS NOTED		NT	7.11.16

App'D	SCALE
RH	1.5X