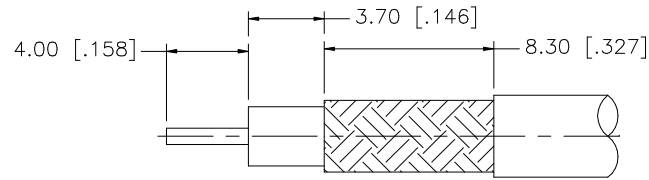
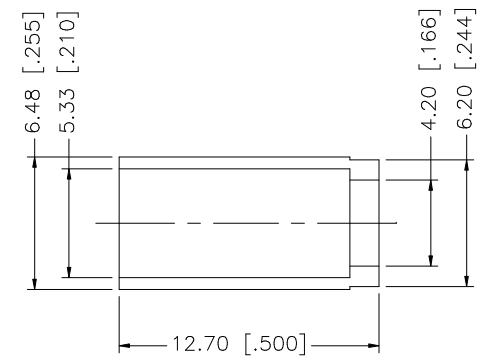
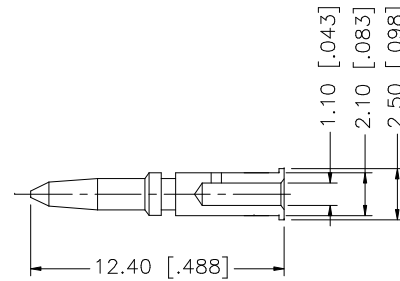
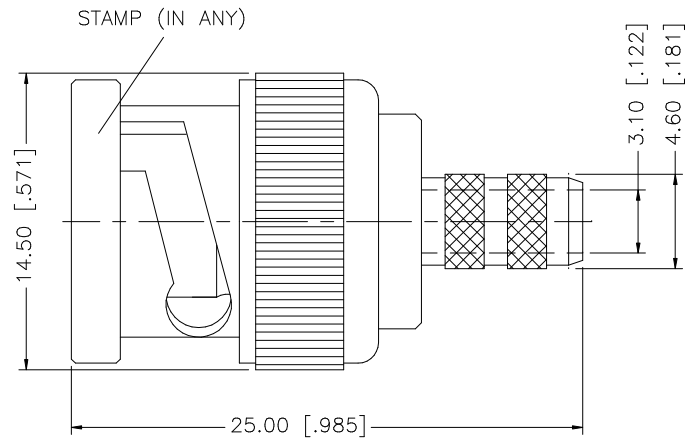


REV.	DATE	DESCRIPTION
NC	05/24/05	INITIAL RELEASE
A	10/11/99	UPDATE DRAWING / MODIFY FERRULE
B	07/31/01	MODIFY FERRULE
C	08/10/05	UPDATE DRAWING FORMAT



RECOMMENDED  
CABLE STRIPPING DIM'S



8				
7				
6				
5				
4	FERRULE	BRASS	NICKEL	1
3	CONTACT PIN	BRASS	GOLD	1
2	INSULATOR	DELRIIN	NATURAL	1
1	BODY	BRASS	NICKEL	1
	DESCRIPTION	MATERIAL	FINISH	QTY

UNLESS OTHERWISE SPECIFIED DIMENSIONS ARE IN MILLIMETERS. DIMENSIONS IN [ ] ARE IN INCHES AND FOR CUSTOMER REFERENCE ONLY.

UNLESS OTHERWISE SPECIFIED TOLERANCES FOR MILLIMETERS ARE:  
0.5 - 8mm ± 0.20mm  
8 - 30mm ± 0.40mm  
30 - 120mm ± 0.50mm

UNLESS OTHERWISE SPECIFIED TOLERANCES FOR INCHES ARE:  
.020 - .315 = ± 0.007"  
.315 - 1.180 = ± 0.015"  
1.180 - 4.724 = ± 0.020"

DO NOT SCALE DRAWING

APPROVALS		DATE
DRAWN	G.R.S.	08/10/05
CHECKED		
ISSUED		
SHEET	1 OF 1	
CAD FILE		C:/112/112124.DWG

# Amphenol Connex

PART DESCRIPTION			
BNC CRIMP PLUG (58T BELDEN 89907)			
PART NO.		112124	
DWG. NO.	112124.DWG	REV.	C
SIZE	A	SCALE	NA