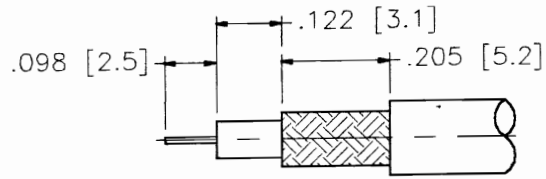
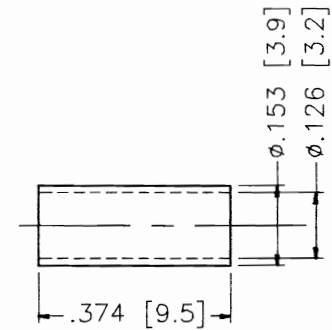
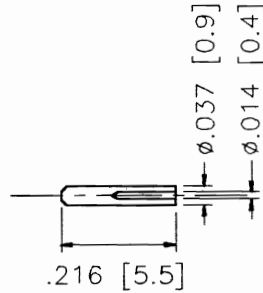
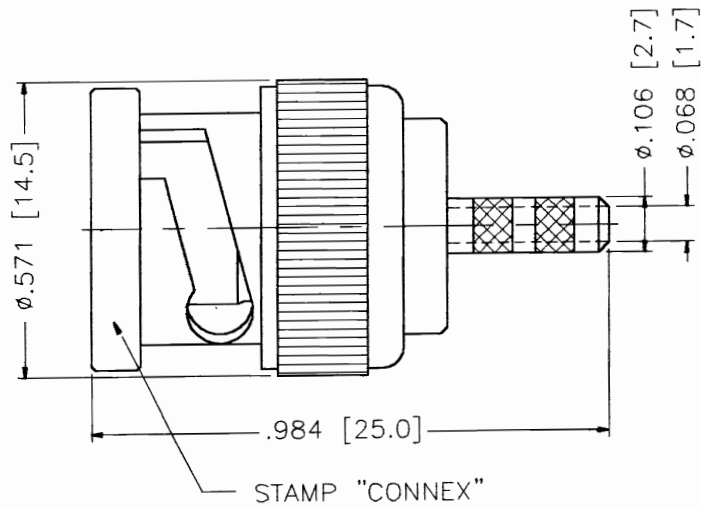



REV.	DATE	DESCRIPTION
NC	06/09/97	INITIAL RELEASE



RECOMMENDED  
CABLE STRIPPING DIM'S



DESCRIPTION	MATERIAL	FINISH	DIMENSIONS ARE IN MILLIMETERS UNLESS OTHERWISE SPECIFIED TOLERANCES ARE:	APPROVALS	DATE				
1 BODY	BRASS	NICKEL	0.5-6 = ± 0.2	DRAWN G.R.S.	06/09/97	TITLE BNC CRIMP PLUG RG 179/U, 187/U			
2 INSULATOR	DELTRIN	NATURAL	6-30 = ± 0.4	CHECKED					
3 CONTACT PIN	BRASS	GOLD	30-120 = ± 0.6	ISSUED		SIZE A	FSCM NO. 99001	DWG. NO. 112139.DWG	REV. NC
4 FERRULE	BRASS	NICKEL	120-315 = ± 1			SCALE 3:1	PART NO. 112139	SHEET	1 OF 1
5			315-1000 = ± 1.6						
6			1000-2000 = ± 2.4						
7			DO NOT SCALE DRAWING						
8									