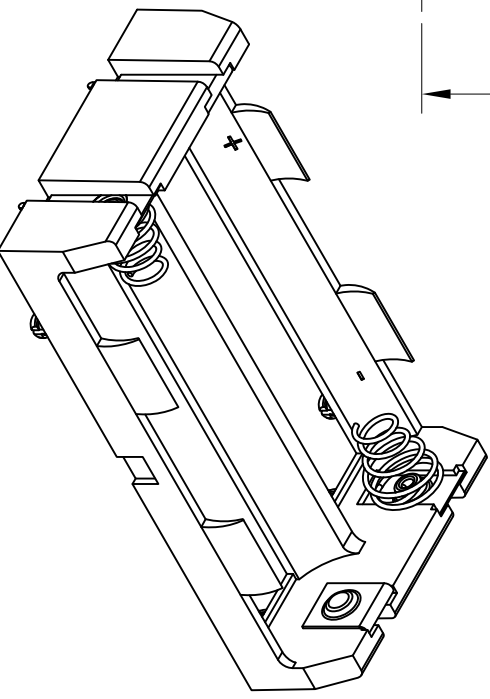
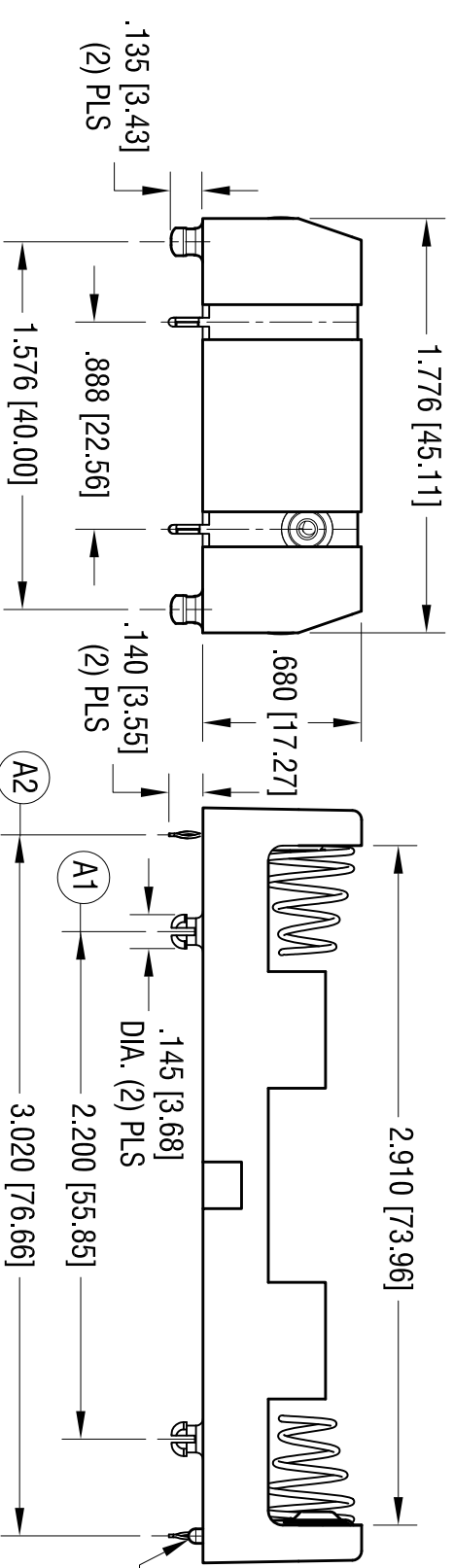
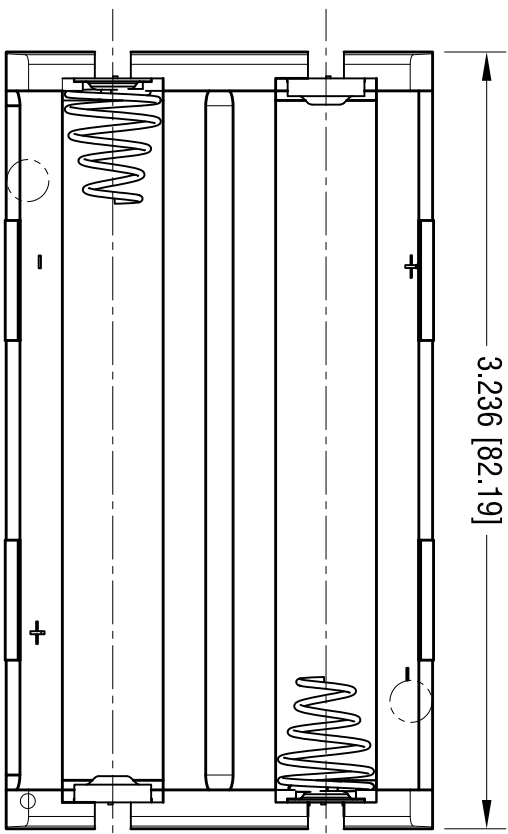
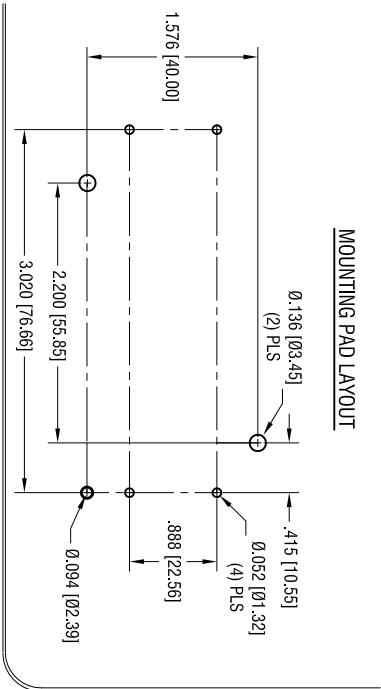


MOUNTING PAD LAYOUT



DATE	DESCRIPTION	REV.
4.13.20	CHANGE AS PER ECN 20-038	A
	(A1) WAS 2.175 [55.20]	
	(A2) WAS 3.004 [76.30]	

NOTE:
1. BASE:
MATERIAL: HEAT RESISTANT NYLON
STANLYL 46 OR EQUIVALENT

2. CONTACT:
MATERIAL: .012 [0.30] THK STAINLESS STEEL
FINISH: NICKEL PLATE

2. SPRING:
MATERIAL: .027 [0.68] DIA. MUSIC WIRE
FINISH: NICKEL PLATE

3. SPRING EYELETED TO BASE

4. SUPPLIED ON TRAY (25 PCS PER TRAY)

THIS DOCUMENT IS THE PROPERTY OF KEYSTONE ELECTRONICS CORP. AND SHALL NOT BE REPRODUCED, DISTRIBUTED OR USED AS A BASIS FOR MANUFACTURE WITHOUT PRIOR WRITTEN PERMISSION FROM KEYSTONE ELECTRONICS CORP.

KEYSTONE ELECTRONICS CORP.			
www.keystone.com • NEW HYDE PARK, NY 11040 • Tel (516) 328-7500			
PART NAME THM BATTERY HOLDER FOR (2) 20700 & 21700			
MATERIAL AS NOTED			
FINISH	AS NOTED	DRN BY	NT
TOLERANCES	INCH [MM]	CODE	DWG NO.
DECIMAL	± .010 [± .025]	C	1123
ANGULAR	± 1°		
UNLESS OTHERWISE SPECIFIED			