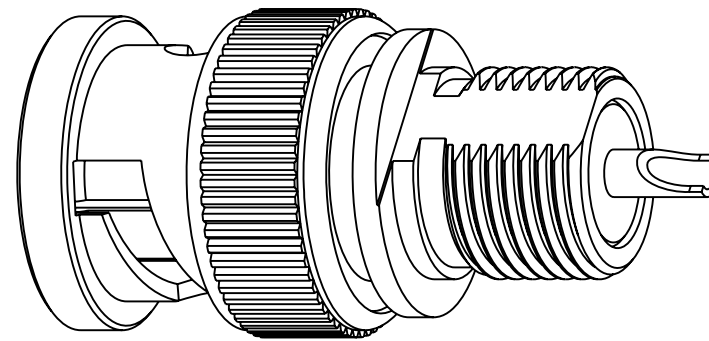
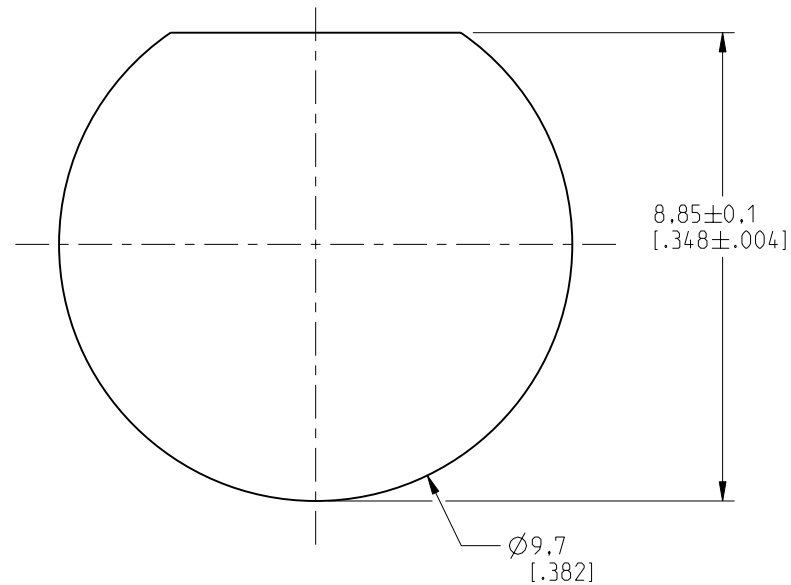


NOTES:

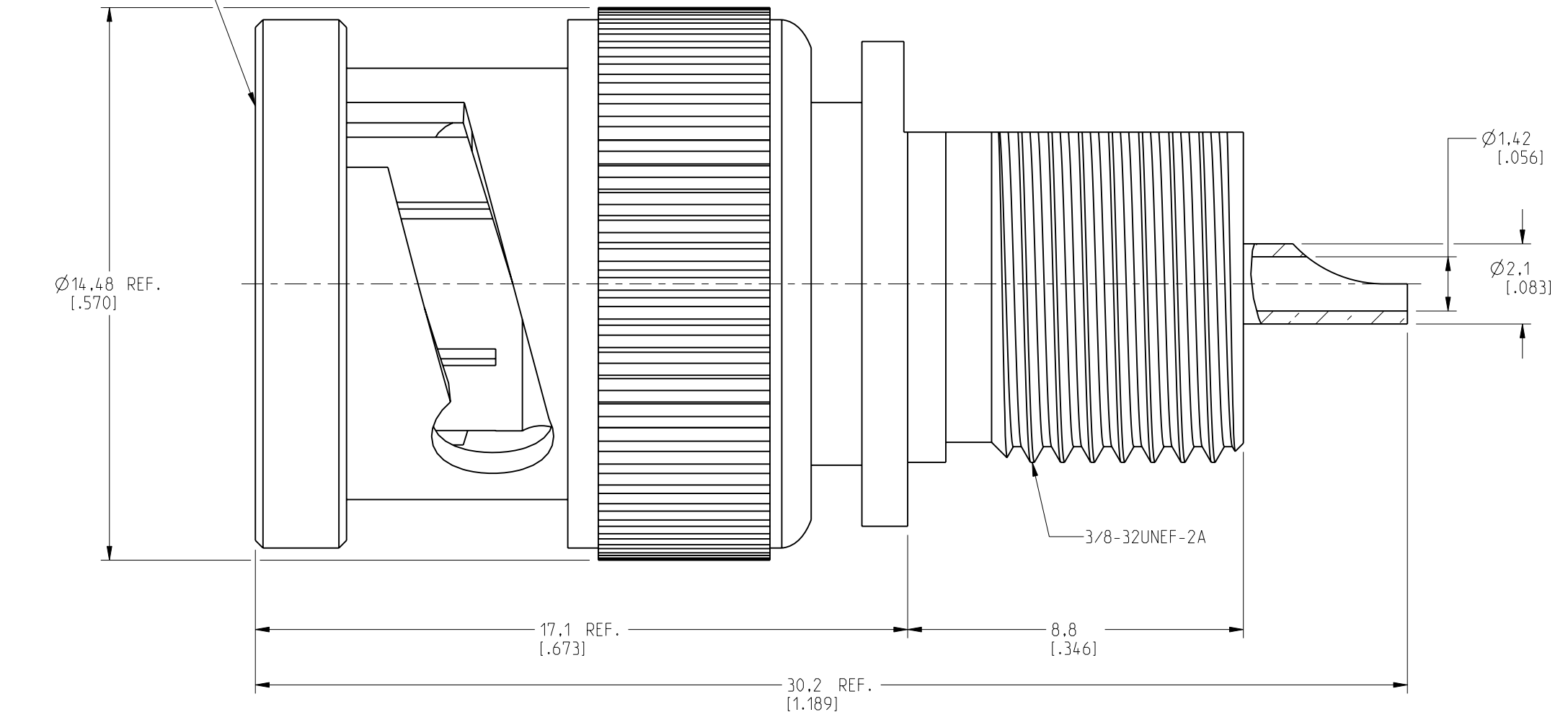
1. MATERIALS AND FINISHES:
 SHELL - ZINC ALLOY, NICKEL PLATING
 BODY - BRASS, NICKEL PLATING
 SPRING - BeCu, NICKEL PLATING
 WASHER - BRASS, NICKEL PLATING
 CONTACT - BRASS, GOLD PLATING
 GASKET- SILICONE RUBBER, RED
 INSULATOR - PTFE & DELRIN, NATURAL
2. ELECTRICAL:
 A. IMPEDANCE: 50 OHM
 B. FREQUENCY RANGE: DC - 4 GHz
 C. DIELECTRIC WITHSTANDING VOLTAGE: 1500 VRMS, MIN.
3. MECHANICAL:
 A. DURABILITY: 500 CYCLES MIN.
 B. TEMPERATURE RANGE: -40°C TO +85°C
4. PACKAGING:
 A. QUANTITY: BULK PACKAGE CONNECTOR IN TRAY, 25 PCS/TRAY.
 B. MARKING: PACKAGING TO BE MARKED
 "AMPHENOL RF, 112420B & YYWW"



REVISIONS				
REV	DESCRIPTION	DATE	ECN	BY
A	RELEASE TO MFG.	23-DEC-21	16067	KR
B	CHANGED THE SHELL MATERIAL TO 'ZINC ALLOY', ADD NOTES	18-Apr-22	16236	SH
C	CHANGE THE PACKAGE PER PRODUCT DEPARTMENT DEMAND	07-May-22	16254	SH



INTERFACE PER
MIL-STD-348
SERIES: BNC PLUG



CUSTOMER OUTLINE DRAWING
ALL OTHER SHEETS ARE FOR INTERNAL USE ONLY

NOTICE: These drawings, specifications, or other data (1) are, and remain the property of Amphenol corp. (2) must be returned upon request; and (3) are confidential and not to be disclosed to any person other than those to whom they are given by Amphenol Corp. The furnishing of these drawings, specifications, or other data by Amphenol Corp., or to any other person to anyone for any purpose is not to be regarded by implication or otherwise in any manner licensing, granting rights to permitting such holder or any other person to manufacture, use or sell any product, process or design, patented or otherwise, that may in any way be related to or disclosed by said drawings, specifications, or other data.

UNLESS OTHERWISE SPECIFIED
DIMENSIONS ARE METRIC (INCHES) AND TOLERANCES ARE:
 <0.5mm = ±0.05mm [$<0.020 = \pm 0.002$]
 >0.5 - 6mm = ±0.1mm [$>0.020 - 0.236 = \pm 0.004$]
 >6.00 - 30mm = ±0.2mm [$>0.236 - 1.181 = \pm 0.008$]
 >30.00 - 120mm = ±0.3mm [$>1.181 - 4.725 = \pm 0.012$]

MATERIAL
SEE NOTES

ENGR.1
KARTHIK

ENGR.2
M.ZHANG

DATE
07-May-22

TITLE
BNC STR BHD PLUG
FRONT MOUNT RECEPTACLE

SHEET NO. 2 OF 2

SCALE: 9.0:1.0

Amphenol RF

SIZE	DRAWING NO. 112420B	REV
	ITEM NO. 112420B	
	PART NO. 112420B	

THIRD ANGLE PROJ. REFERENCE SAME AS 112420 EXCEPT BULK PACK, NO MOUNTING HARDWARE EAR# 11084

ANGLES = ±1°

DATE 07-May-22

SHEET NO. 2 OF 2

SCALE: 9.0:1.0