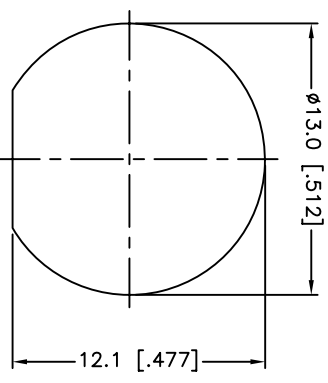
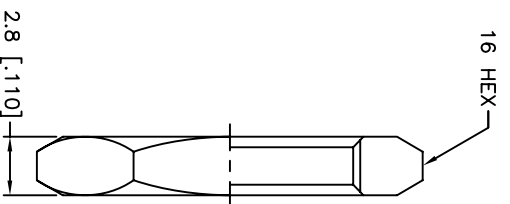
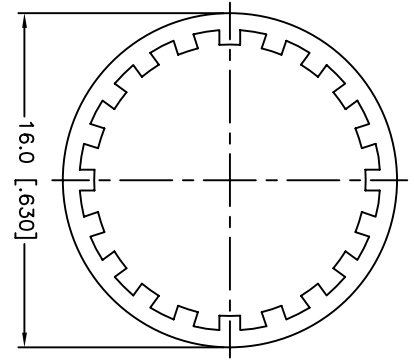
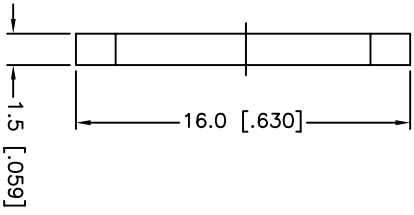
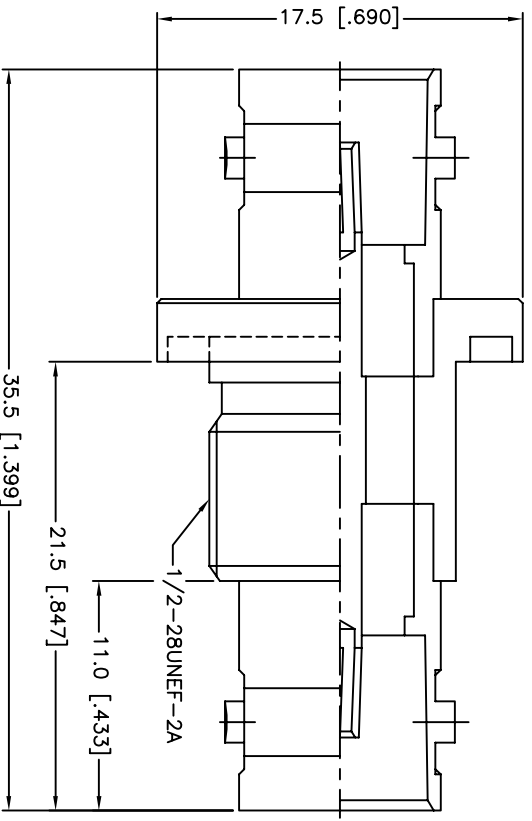


REV.	DATE	ECR NO.	DESCRIPTION
NC	10/12/09	XXXXXX	INITIAL RELEASE



RECOMMENDED
MOUNTING HOLE

DESCRIPTION	MATERIAL	FINISH	QTY
7 HEX NUT	BRASS	NICKEL	1
6 LOCK WASHER	BRASS	NICKEL	1
5 GASKET	RUBBER	RED	1
4 CONTACT PIN	PHOSPHOR BRONZE	GOLD	1
3 INSULATOR	DELFIN	NATURAL	1
2 BODY	BRASS	NICKEL	1
1 HOUSING	BRASS	NICKEL	1

UNLESS OTHERWISE SPECIFIED, DIMENSIONS ARE IN INCHES AND FOR CUSTOMER REFERENCE ONLY.
TOLERANCES FOR MILLIMETERS ARE:
UNLESS OTHERWISE SPECIFIED
0.5 - 8mm ± 0.20mm
8 - 30mm ± 0.40mm
30 - 120mm ± 0.50mm
UNLESS OTHERWISE SPECIFIED, DIMENSIONS ARE IN INCHES AND FOR CUSTOMER REFERENCE ONLY.
TOLERANCES FOR INCHES ARE:
UNLESS OTHERWISE SPECIFIED
.020 - .315 = ± 0.007"
.315 - 1.180 = ± 0.015"
1.180 - 4.724 = ± 0.020"

APPROVALS	DATE
DRAWN Tangor	10/12/09
CHECKED	
ISSUED	
SHEET 1 OF 1	

Amphenol Connex

PART DESCRIPTION
BNC FEMALE TO FEMALE BULKHEAD ADAPTOR

PART NO. 112436

DWG. NO. 112436.DWG

REV. NC SIZE A SCALE NA

CAD FILE C:/CONNEX/112436.DWG

DO NOT SCALE DRAWING