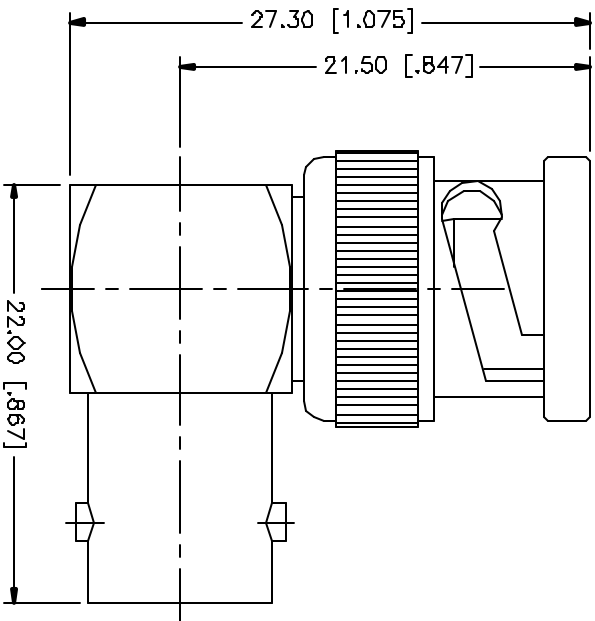


REV.	DATE	DESCRIPTION
NC	10/18/02	INITIAL RELEASE
A	05/01/04	UPDATE DRAWING FORMAT



REV.	DATE	DESCRIPTION	MATERIAL	FINISH	QTY
8					
7					
6					
5					
4		CONTACT PIN	BRASS	GOLD	1
3		CONTACT PIN	PHOS. BRONZE	GOLD	1
2		INSULATOR	DELRIN	NATURAL	2
1		BODY	BRASS	NICKEL	1
		DESCRIPTION			

UNLESS OTHERWISE SPECIFIED DIMENSIONS ARE IN INCHES AND FOR DIMENSIONS BETWEEN DASHES.	
UNLESS OTHERWISE SPECIFIED TOLERANCES FOR DIMENSIONS ARE:	
A -	0.5 - 8mm ± 0.20mm
B -	30mm ± 0.40mm
30 -	120mm ± 0.50mm
UNLESS OTHERWISE SPECIFIED TOLERANCES FOR ANGLES ARE:	
∠020 -	.315 ± ± 0.007°
.315 -	1.180 ± ± 0.015°
1.180 -	4.724 ± ± 0.020°
DO NOT SCALE DRAWING	

APPROVALS	DATE
DRAWN G.R.S.	05/01/04
CHECKED	
ISSUED	
SHEET 1 OF 1	

Amphenol Connex	
PART DESCRIPTION BNC MALE TO FEMALE R/A ADAPTOR	
PART NO.	112454
DWG. NO.	112454.DWG
REV.	A
SIZE	A
SCALE	NA