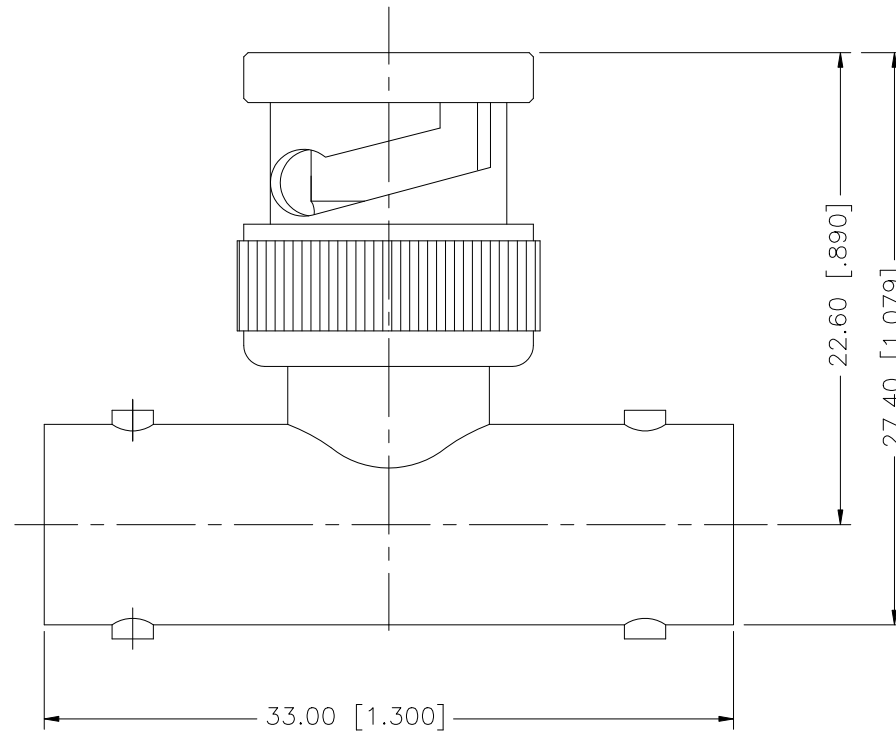


REV.	DATE	DESCRIPTION
NC	10/16/02	INITIAL RELEASE
A	05/01/04	UPDATE DRAWING FORMAT



8				<p>UNLESS OTHERWISE SPECIFIED DIMENSIONS ARE IN MILLIMETERS; DIMENSIONS IN [] ARE IN INCHES AND FOR CUSTOMER REFERENCE ONLY.</p> <p>UNLESS OTHERWISE SPECIFIED TOLERANCES FOR MILLIMETERS ARE: 0.5 - 8mm ± 0.20mm 8 - 30mm ± 0.40mm 30 - 120mm ± 0.50mm</p> <p>UNLESS OTHERWISE SPECIFIED TOLERANCES FOR INCHES ARE: .020 - .315 = ± 0.007" .315 - 1.180 = ± 0.015" 1.180 - 4.724 = ± 0.020"</p>	APPROVALS	DATE	<h1 style="color: blue;">Amphenol Connex</h1>		
7					DRAWN	G.R.S.		05/01/04	
6					CHECKED				
5					ISSUED				
4	CONTACT PIN	BRASS	GOLD		1				
3	CONTACT PIN	PHOS. BRONZE	GOLD	1			PART DESCRIPTION		
2	INSULATOR	DELTRIN	NATURAL	1			BNC "T" ADAPTER / JACK-PLUG-JACK 75ohm		
1	BODY	DIE CAST	NICKEL	1			PART NO.		
							112462		
	DESCRIPTION	MATERIAL	FINISH	QTY	CAD FILE	DWG. NO.	REV.	SIZE	SCALE
					C:/112/112462.DWG	112462.DWG	A	A	NA
					DO NOT SCALE DRAWING				