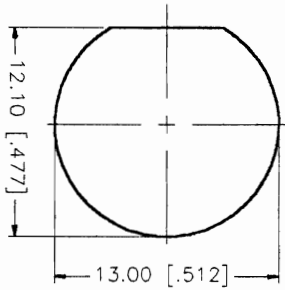
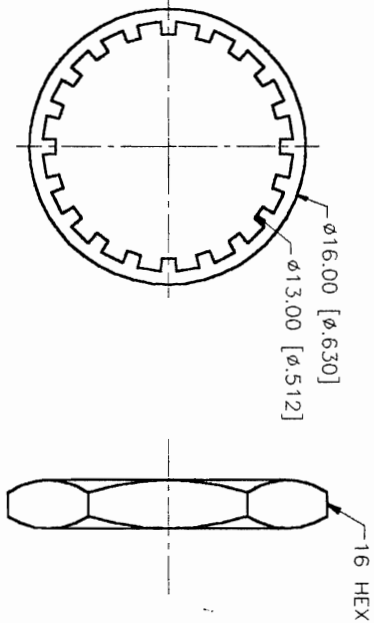
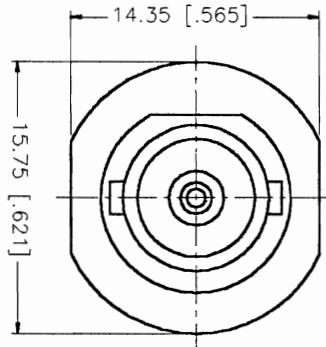
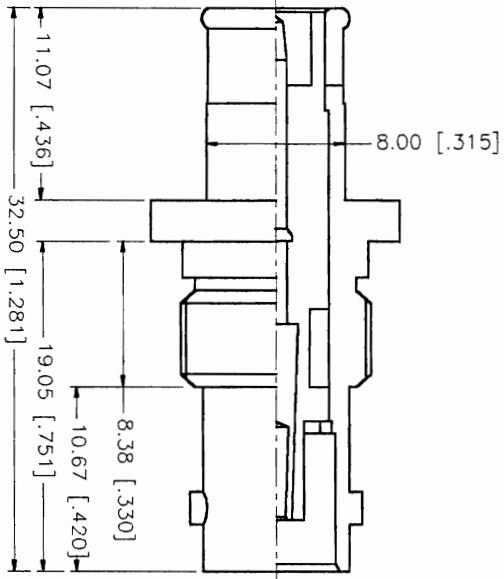


REV.	DATE	DESCRIPTION
B	10/22/98	ADD HEX NUT AND MOUNTING HOLE DIMS.



RECOMMENDED
MOUNTING HOLE

DESCRIPTION	MATERIAL	FINISH	UNLESS OTHERWISE SPECIFIED DIMENSIONS ARE IN MILLIMETERS DIMENSIONS IN () ARE IN INCHES FOR CUSTOMER REFERENCE ONLY	APPROVALS	DATE	TITLE
1 BODY	BRASS	NICKEL		DRAWN G.R.S.	10/22/98	comnex Connector Corporation BNC FEMALE TO MALE PUSH ON ADAPTOR 75ohms SCALE NA PART NO. 112532 DWG. NO. 112532.DWG SIZE FSCM NO. 99001 SHEET 1 OF 1
2 INSULATOR	TEFLON	NATURAL		CHECKED		
3 CONTACT PIN	PHOS. BRONZE	GOLD		ISSUED		
4 NOTE: GOLD PLATING AT 50u MIN.						
5 HEX NUT	BRASS	NICKEL				
6						
7						
8			DO NOT SCALE DRAWING			

UNLESS OTHERWISE SPECIFIED DIMENSIONS ARE IN MILLIMETERS DIMENSIONS IN () ARE IN INCHES FOR CUSTOMER REFERENCE ONLY

UNLESS OTHERWISE SPECIFIED TOLERANCES FOR MILLIMETERS ARE:
0.5-6 = ± 0.2
6-30 = ± 0.4
30-120 = ± 0.6
120-315 = ± 1
315-1000 = ± 1.6
1000-2000 = ± 2.4