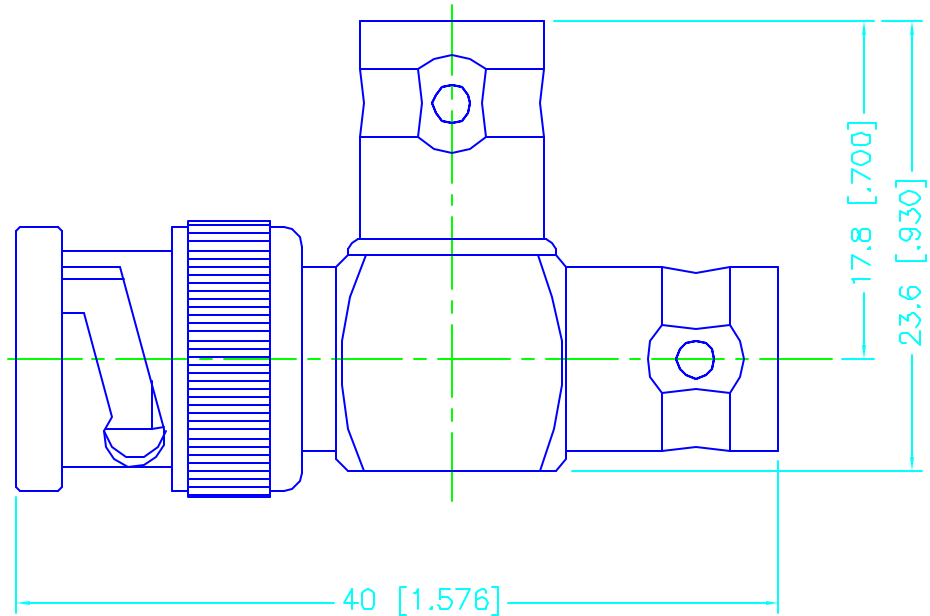



REV.	DATE	DESCRIPTION
NC	04/29/98	INITAL RELEASE



DESCRIPTION	MATERIAL	FINISH	UNLESS OTHERWISE SPECIFIED DIMENSIONS ARE IN MILLIMETERS	APPROVALS	DATE	 Connex Connector Corporation			
1 BODY	BRASS	GOLD	DIMENSIONS IN [] ARE IN INCHES FOR CUSTOMER REFERENCE ONLY	DRAWN G.R.S.	04/29/98				
2 INSULATOR	TEFLON	NATURAL	UNLESS OTHERWISE SPECIFIED TOLERANCES FOR MILLIMETERS ARE: 0.5-6 = ± 0.2 6-30 = ± 0.4 30-120 = ± 0.6 120-315 = ± 1 315-1000 = ± 1.6 1000-2000 = ± 2.4	CHECKED		TITLE BNC "T" ADAPTOR / JACK-JACK-PLUG			
3 CONTACT PIN	BRASS	GOLD		ISSUED		SIZE A	FSCM NO. 99001	DWG. NO. 112590.DWG	REV. NC
4						SCALE NA	PART NO. 112590	SHEET 1 OF 1	
5									
6									
7									
8				DO NOT SCALE DRAWING					