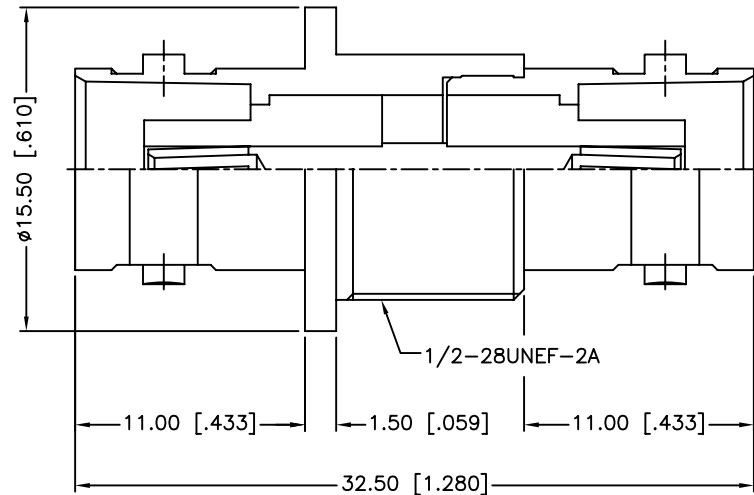
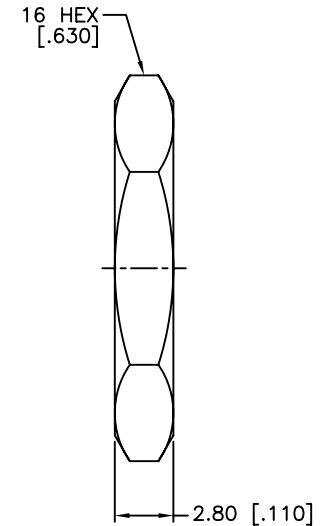
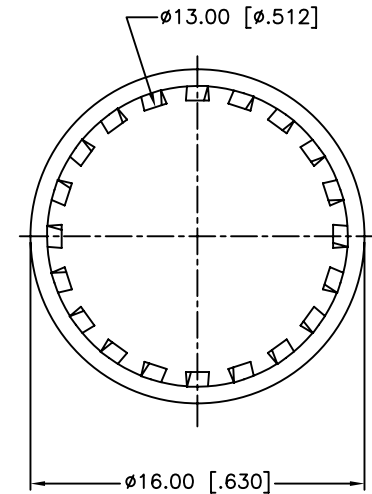


RECOMMENDED MOUNTING HOLE



REV.	DATE	ECR NO.	DESCRIPTION
NC	05/22/03	XXXXXX	INITIAL RELEASE
A	08/16/13	2515	CORRECT CENTER CONTACT MATERIAL, UPDATE FORMAT ADD ELECTRICAL/MECHANICAL NOTES



1. IMPEDANCE: 50 OHM
2. FREQUENCY RANGE: 0-4 GHZ
3. DIELECTRIC WITHSTANDING VOLTAGE: 1500 VRMS, MIN.
4. DURABILITY: 500 CYCLES MIN.
5. TEMPERATURE RANGE: -40°C TO +85°C

QTY	FINISH	MATERIAL	DESCRIPTION
1	NICKEL	BRASS	HEX NUT
1	NICKEL	BRASS	LOCK WASHER
1	GOLD	PHOSPHOR BRONZE	CONTACT PIN
2	NATURAL	DELTRIN	INSULATOR
1	NICKEL	BRASS	BODY
1	NICKEL	BRASS	HOUSING
QTY	FINISH	MATERIAL	DESCRIPTION

UNLESS OTHERWISE SPECIFIED DIMENSIONS ARE IN MILLIMETERS. DIMENSIONS IN [] ARE IN INCHES AND FOR CUSTOMER REFERENCE ONLY.
 UNLESS OTHERWISE SPECIFIED
 TOLERANCES FOR MILLIMETERS ARE:
 <0.5 ± 0.05mm
 0.5 - 6mm ± 0.10mm
 6 - 30mm ± 0.20mm
 30 - 120mm ± 0.30mm
 ANGLES ± 1°
 UNLESS OTHERWISE SPECIFIED
 TOLERANCES FOR INCHES ARE:
 <.020 ± 0.002"
 .020 - .236 ± 0.004"
 .236 - 1.180 ± 0.007"
 1.180 - 4.724 ± 0.012"
 ANGLES ± 1°
 DO NOT SCALE DRAWING

APPROVALS	DATE
DRAWN M.ZHANG	08/16/13
CHECKED	
ISSUED	
SHEET 1 OF 1	
CAD FILE	C:/CONNEX/112437.DWG

Amphenol Connex			
PART DESCRIPTION			
BNC FEMALE TO FEMALE BULKHEAD ADAPTER			
PART NO.			
112437			
DWG. NO.	112437.DWG	REV.	A
SIZE	A	SCALE	NA