

Amphenol Connex



This 75 Ohm BNC bulkhead jack is ideal for use in high-performance video applications. It's end-launch termination saves space in high-density applications where panel real-estate is critical. The industry standard design features gold a gold plated body and PTFE insulator. Nickel plating is also available.

High Performance BNC for Video

Amphenol Connex P/N 112740

Features & Benefits

- 75 Ohm Impedance
- Industry standard design
- Precision machined from brass
- High performance Au or cost effective Ni plating options
- Space saving end-launch termination
- Durable PTFE insulator to support high temperatures

Applications

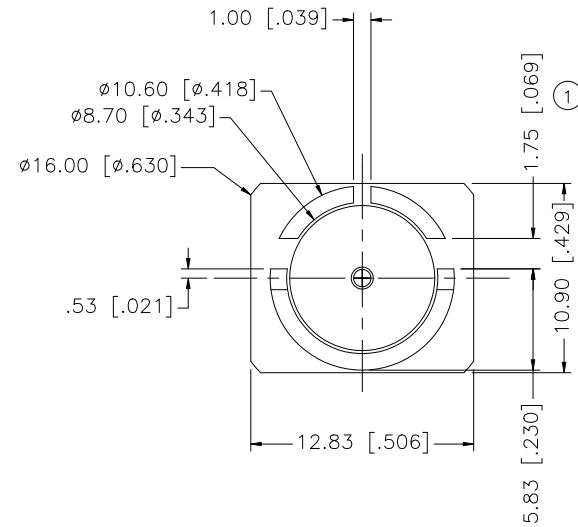
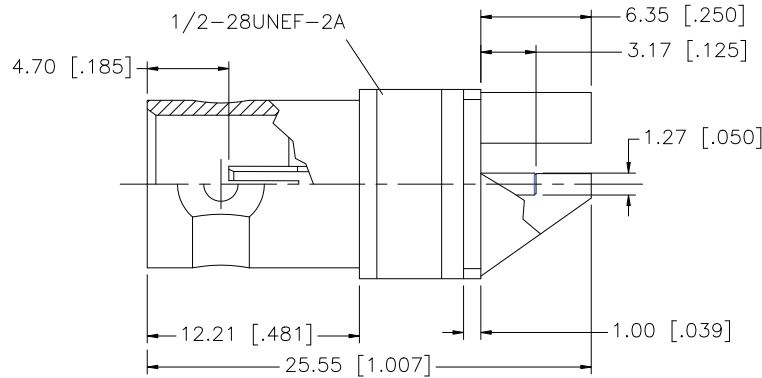
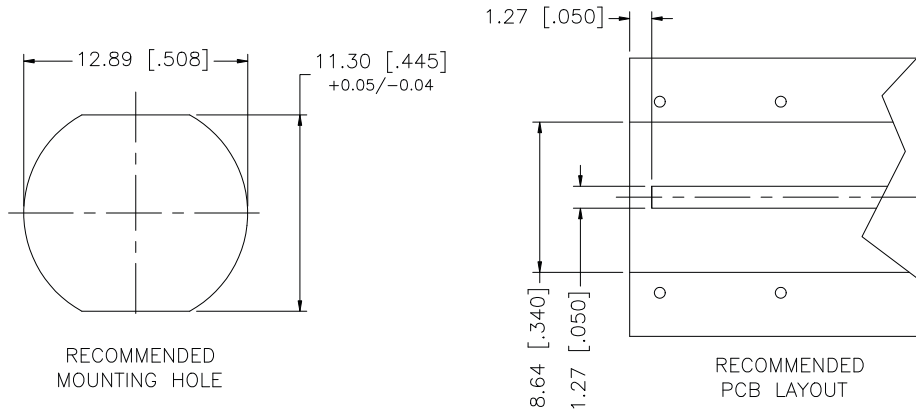
- Video routers and switching equipment
- Video control panels
- Video display and monitoring applications
- Video add-on cards

Part Number	112740	112740-10
Body Plating	Gold	Nickel
Body Material	Brass	
Insulator Material	PTFE	
Center Contact	BeCu, Au Plated	
Return Loss	>-35dB @ 3GHz	
Impedance	75 Ohms	

www.amphenolconnex.com

805.378.6464 tel • 805.378.6471 fax

REV.	DATE	ECR NO.	DESCRIPTION
NC	08/21/07	-	INITIAL RELEASE
A	10/30/07	-	REVISE SLOT DIMENSION TO 1.65mm (1)
B	11/25/07	-	REVISE SLOT DIMENSION TO 1.75mm [.069] (1)
C	03/16/08	-	REVISE CONTACT PIN DIAMETER TO 1.27mm [.050]
D	04/21/08	-	REMOVE LOCK WASHER AND HEX NUT FROM BOM, BODY PLATING TO GOLD



DESCRIPTION	MATERIAL	FINISH	QTY
CONTACT PIN	PHOS. BRONZE	GOLD	1
INSULATOR	TEFLON	NATURAL	1
BODY	BRASS	GOLD	1

UNLESS OTHERWISE SPECIFIED DIMENSIONS ARE IN MILLIMETERS. DIMENSIONS IN [] ARE IN INCHES AND FOR CUSTOMER REFERENCE ONLY.

UNLESS OTHERWISE SPECIFIED TOLERANCES FOR MILLIMETERS ARE:
0.5 - 8mm ± 0.20mm
8 - 30mm ± 0.40mm
30 - 120mm ± 0.50mm

UNLESS OTHERWISE SPECIFIED TOLERANCES FOR INCHES ARE:
.020 - .315 = ± 0.007"
.315 - 1.180 = ± 0.015"
1.180 - 4.724 = ± 0.020"

DO NOT SCALE DRAWING

APPROVALS	DATE
DRAWN G.R.S.	04/21/08
CHECKED	
ISSUED	
SHEET 1 OF 1	
CAD FILE	C:/112/112740.DWG

Amphenol Connex

PART DESCRIPTION
BNC 75 OHMS STRAIGHT BULKHEAD JACK

PART NO.
112740

DWG. NO.	112740.DWG	REV.	D	SIZE	A	SCALE	NA
----------	------------	------	---	------	---	-------	----