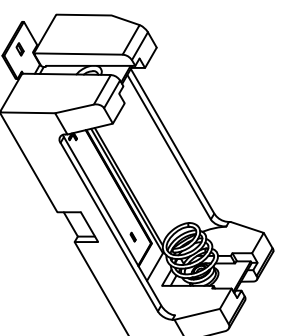
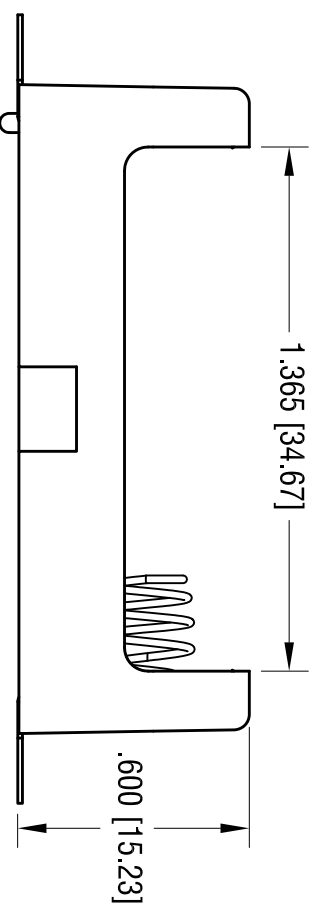
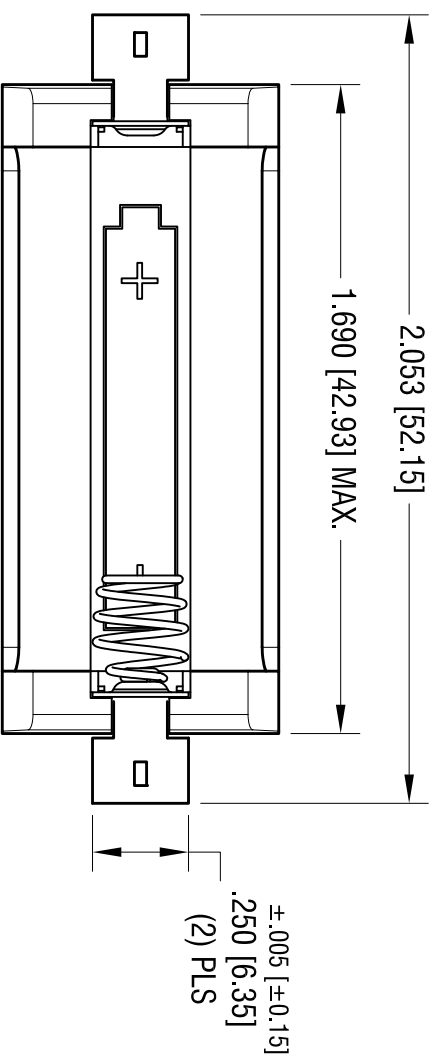
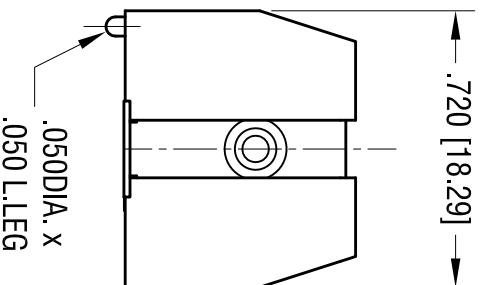
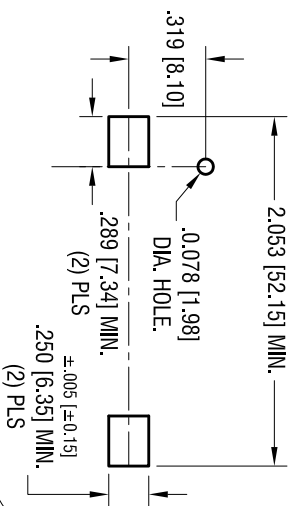


MOUNTING PAD LAYOUT



ACTUAL SIZE

- NOTE:**
- 1. BASE:**
MAT'L: HEAT RESISTANCE NYLON
STANLYL 46 OR EQUIVALENT
 - 2. CONTACTS:**
MAT'L: BASE-.012 [0.30] THK STAINLESS STEEL
SPRING-.020 [0.50] DIA. MUSIC WIRE
FINISH: GOLD FLASH, OVER NICKEL PLATE.

DATE

DESCRIPTION

REV.

KEYSTONE ELECTRONICS CORP.

www.keystec.com • ASTORIA, N.Y. 11105-2017 • Tel (718) 956-8900

PART NAME

SM BATTERY HOLDER, CR123A

MATERIAL

AS NOTED

FINISH

AS NOTED

| TOLERANCES | INCH | [MM] |
|------------|--------|----------|
| DECIMAL | ± .010 | [± 0.25] |
| ANGULAR | ± 1° | |

UNLESS OTHERWISE SPECIFIED

| CODE | DWG NO. |
|------|---------|
| C | 1128 |

| DRN BY | DATE |
|--------|----------|
| NT | 10.31.14 |

| APP'D | SCALE |
|-------|-------|
| LN | 2X |