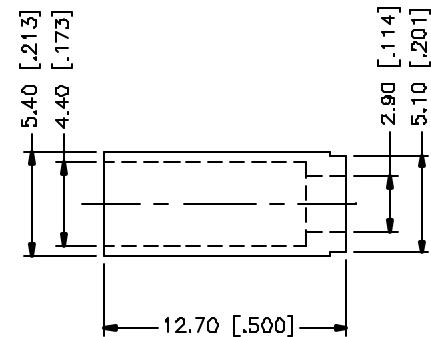
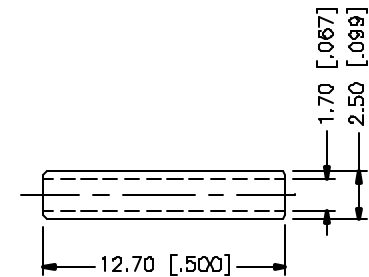
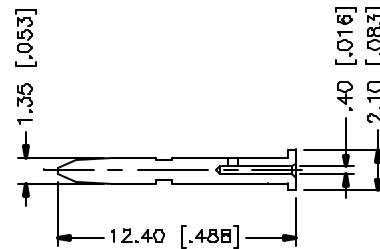
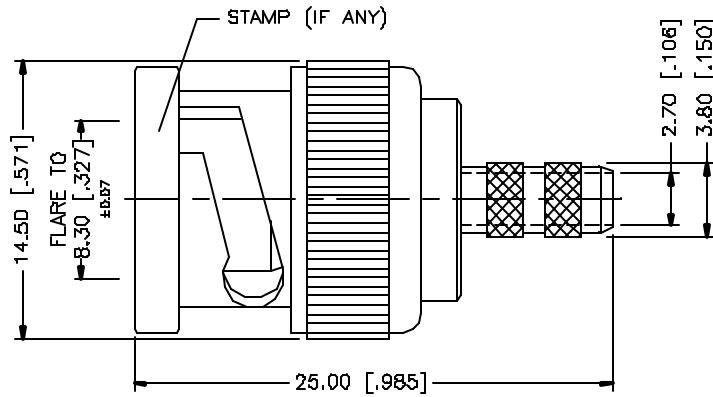
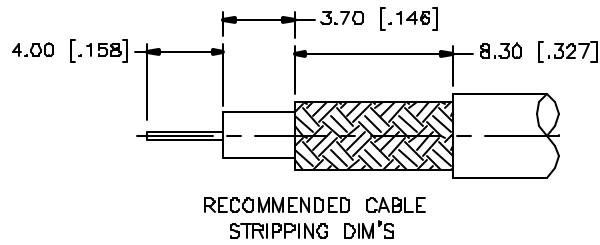


REV.	DATE	DESCRIPTION
A	08/15/04	UPDATE DRAWING FORMAT



NOTE:

1. CRIMPED FERRULE
HEX. CRIMP SIZE .178"
2. CRIMPED CONTACT PIN
HEX CRIMP SIZE .042"

8				
7				
6				
5	FERRULE	BRASS	NICKEL	1
4	SLEEVE	DELFIN	NATURAL	1
3	CONTACT PIN	BRASS	GOLD	1
2	INSULATOR	TEFLON	NATURAL	1
1	BODY	BRASS	NICKEL	1
	DESCRIPTION	MATERIAL	FINISH	QTY

UNLESS OTHERWISE SPECIFIED DIMENSIONS ARE IN MILLIMETERS. DIMENSIONS IN [] ARE IN INCHES AND FOR CUSTOMER REFERENCE ONLY.

UNLESS OTHERWISE SPECIFIED TOLERANCES FOR MILLIMETERS ARE:
0.5 - 3mm ± 0.20mm
3 - 30mm ± 0.40mm
30 - 120mm ± 0.50mm

UNLESS OTHERWISE SPECIFIED TOLERANCES FOR INCHES ARE:
.020 - .315 = ± 0.007"
.315 - 1.180 = ± 0.015"
1.180 - 4.724 = ± 0.020"

DO NOT SCALE DRAWING

APPROVALS	DATE
DRAWN G.R.S.	08/15/04
CHECKED	
ISSUED	
SHEET 1 OF 1	
DWG FILE C:/112/112954.DWG	

Amphenol Connex

PART DESCRIPTION	BNC CRIMP PLUG - 75ohms (FOR RG179, BELDEN 9221/1502A/1522A)		
PART NO.	112954		
DWG NO.	112954.DWG	REV. A	SCALE NA