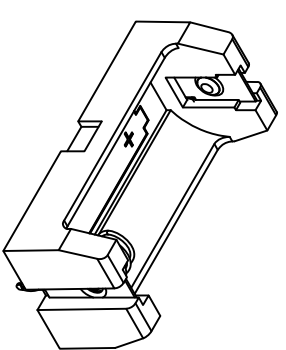
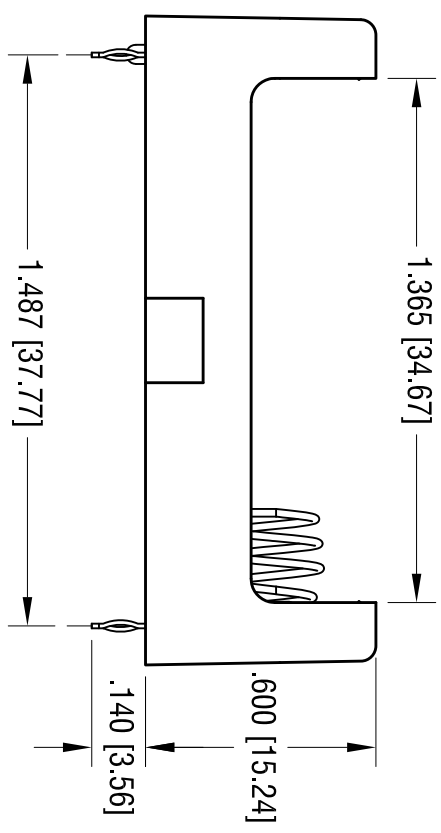
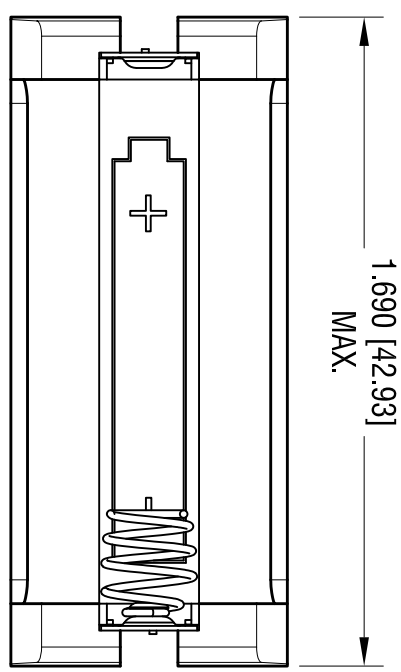
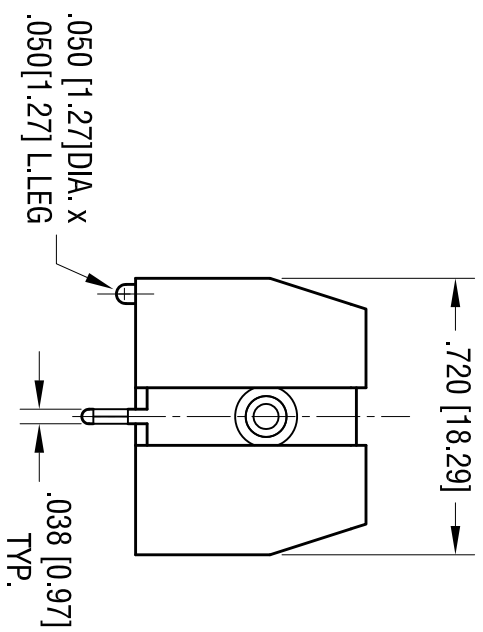
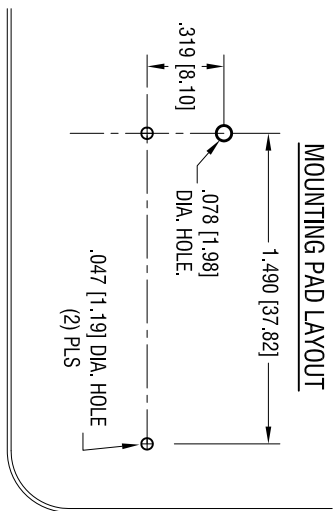


MOUNTING PAD LAYOUT



ACTUAL SIZE

- NOTE:**
1. BASE:
MAT'L: PBT (COLOR BLACK)
 2. CONTACT:
MAT'L: .012 [0.30] THK STAINLESS STEEL
FINISH: TIN NICKEL PLATE.

DATE	DESCRIPTION	REV.
6.19.19	CHANGE AS PER ECN 19-058 BASE WAS NYLON MAT'L	A

KEYSTONE ELECTRONICS CORP.			
www.keystco.com • NEW HYDE PARK, NY 11040 • Tel (516) 328-7500			
PART NAME THM BATTERY HOLDER, CR123A			
MATERIAL AS NOTED			
FINISH AS NOTED		DRN BY NT	DATE 10.31.14
TOLERANCES INCH [MM]		App'D RH	SCALE 2X
DECIMAL ± .010 [± 0.25]	ANGULAR ± 1°	CODE C	DWG NO. 1129
UNLESS OTHERWISE SPECIFIED			

THIS DOCUMENT IS THE PROPERTY OF KEYSTONE ELECTRONICS CORP. AND SHALL NOT BE REPRODUCED, DISTRIBUTED OR USED AS A BASIS FOR MANUFACTURE WITHOUT PRIOR WRITTEN PERMISSION FROM KEYSTONE ELECTRONICS CORP.