

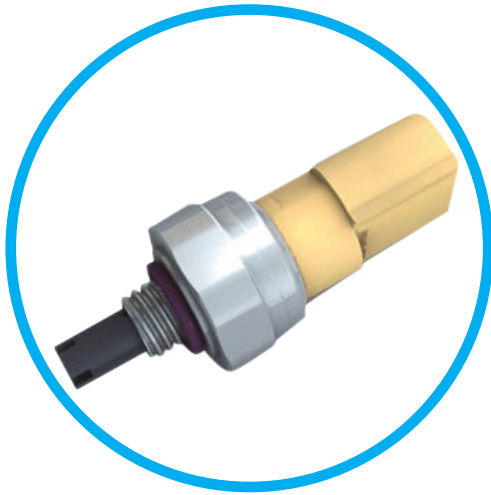
| 112CP SERIES

Combined Pressure & Temperature Sensor

Introduction

The 112CP series combined pressure and temperature sensors delivers the benefit of both pressure and in-stream temperature sensing in a single, robust integrated package.

Sensata Technologies has been a leading global supplier of pressure sensors and switches for over 50 years.



Features

- Pressure and temperature measurement in one package
- Fast, in-stream temperature measurement
- Precise superheat measurement

Applications

- Air conditioning & refrigeration
- Alternative energy management
- Engine controls & monitors
- Compressors & pumps

SPECIFICATIONS

| | |
|-----------------------------------|---|
| Pressure Ranges | 0 to 150 psi through 0 to 650 psi |
| Pressure Accuracy | ±0.8% F.S. (linearity, hysteresis, repeatability and calibration) |
| Total Error Band | ±1.7% F.S. (0°C to +85°C) |
| Proof Pressure | ≥ 2X |
| Burst Pressure | ≥ 3X |
| Temperature Accuracy | ±1% (delta R/R) |
| Resistance @ 25°C | 10K or 100 ohms |
| Operating Temperature | -40°C to 135°C |
| Supply Voltage (VCC) | 4.5 to 5.5 VDC |
| Output Voltage | 0.5 to 4.5 VDC |
| Supply Current | 0.5 to 4.5 VDC |
| Output Current | 8.0 mA |
| Output Load Range | 10K to 50K ohms |
| Overvoltage Protection | 16 VDC |
| Reverse Voltage Protection | -14 VDC |
| Output Response Time | 10mS |

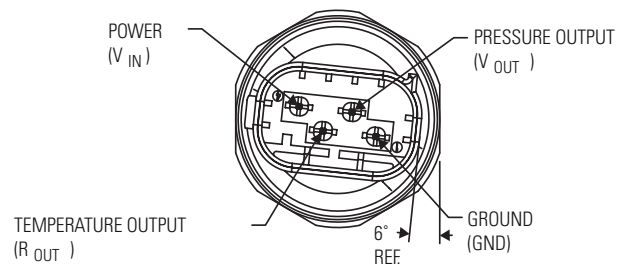
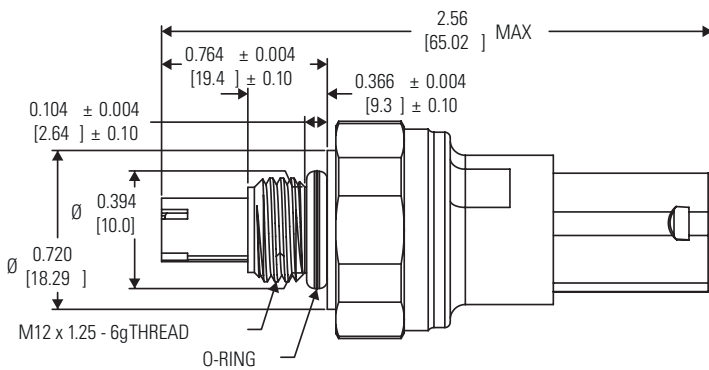
| | |
|------------------------------|---|
| Cycle Life | ≥ 1M cycles |
| Vibration | 5g |
| Drop (any Axis) | 1m |
| Electrical Connection | 4 pin AMP Micro-Quadlok System™ connector |
| Weight | 1.5 oz max |

*Refer to chart for seal compatibility

NOTE: Not suitable for use in conductive media

Micro-Quadlok System is a trademark of Tyco Electronics Corporation

DIMENSIONS



STANDARD OFFERINGS

Pressure Connections

M12 x 1.25 - 6g plated steel

1/4" NPT male brass

Pressure References

Absolute

Sealed gage

Pressure Ranges

9.0 to 150 psia

26.8 to 500 psia

Elastomer Seals

See Seal Compatibility Guide