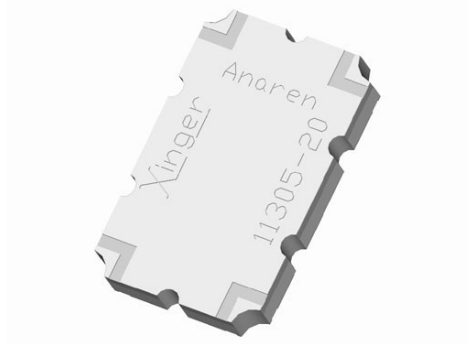




**Directional Couplers  
20 dB**

**Description:**

The 11305-20 is a low profile 20dB directional coupler in an easy to use surface mount package covering 1.0 to 2.0 GHz. The 11305-20 is ideal for power and frequency detection and can be used in most high power designs. Parts have been subjected to rigorous qualification testing and units are 100% tested. They are manufactured using materials with x and y thermal expansion coefficients compatible with common substrates such as FR4, G-10 and polyamide.



**Detailed Electrical Specifications:**

Frequency	Mean Coupling	Insertion Loss	VSWR
GHz	dB	dB Max	Max:1
1.0 – 2.0	20.0 ± 1.0	0.35	1.20
Freq. Sensitivity	Directivity	Power Handling	Operating Temp.
dB Max	dB Min	Watts	°C
±0.80	18	60	-55 to +85

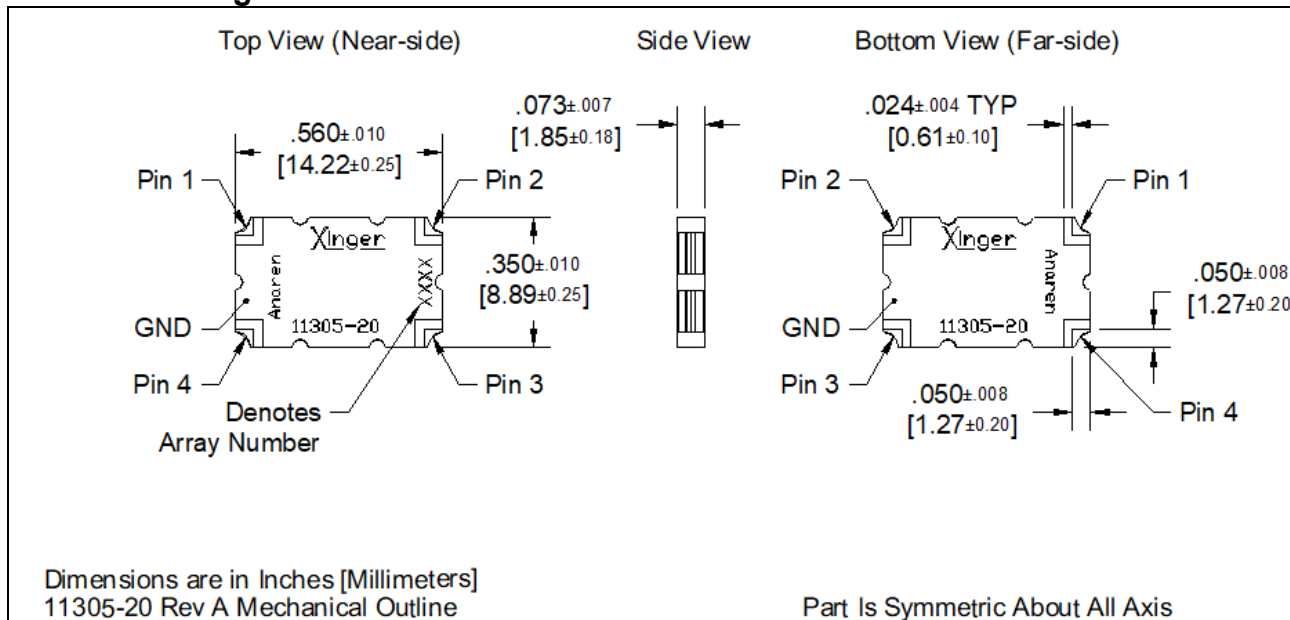
**Features:**

- 1.0 – 2.0 GHz
- Low loss
- High Directivity
- Surface Mountable
- Tape And Reel
- Convenient Package
- 100% Tested

\*\*Specification based on performance of unit properly installed on microstrip printed circuit boards with 50 Ω nominal impedance.

\*Specifications subject to change without notice.

**Outline Drawing:**



**Typical Performance: 0.9 GHz. to 2.1 GHz.**

