

PRODUCT DATA DRAWING

| REVISION HISTORY | | | |
|------------------|-------------|-------|----------|
| REV | DESCRIPTION | DATE | APPROVED |
| - | NRN 46269 | 09/21 | SEE PDM |
| | | | |

MATERIAL:

BODIES & CONTACTS: BERYLLIUM COPPER PER ASTM B196, ALLOY No. UNS C17300, TD04.

SLEEVE: STAINLESS STEEL PER AMS 5640, ALLOY UNS S30300, TYPE 1 OR ASTM A582 TYPE 303, CONDITION A.

INSULATORS: PTFE PER ASTM D1710, TYPE I, GRADE 1, CLASS B.

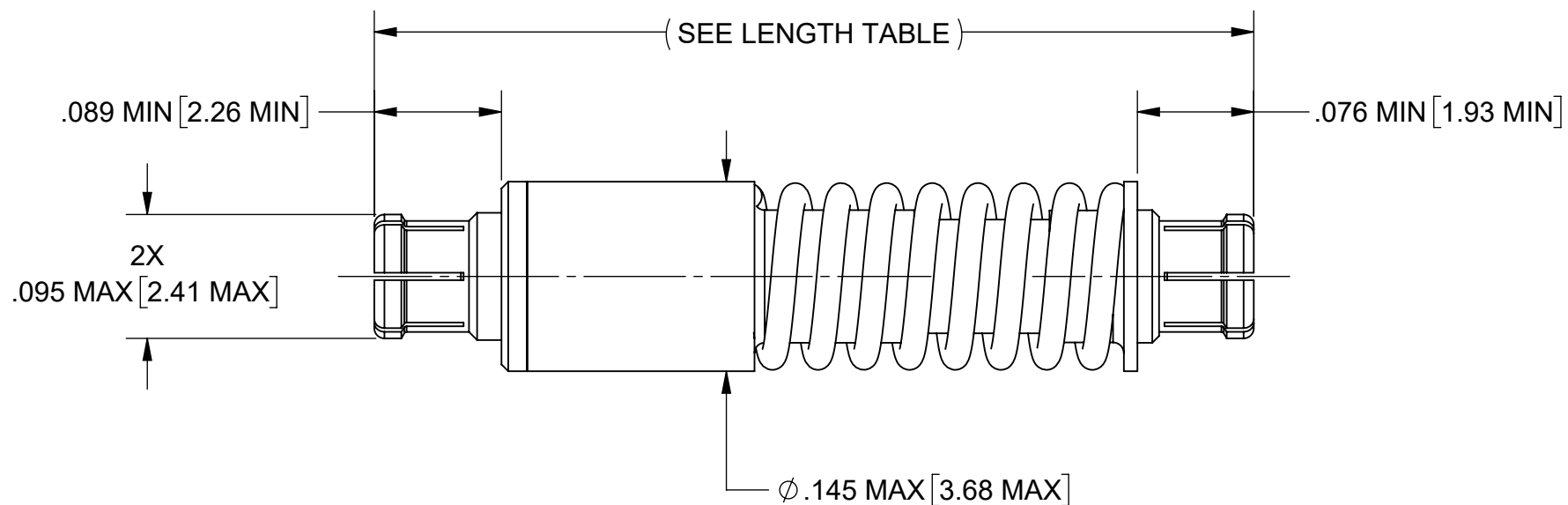
SPRING: STAINLESS STEEL PER ASTM A313, TYPE 631 OR AMS 5678.

FINISH:

BODIES & CONTACT: GOLD PER ASTM B488, TYPE II, CODE C, CLASS 1.27, OVER NICKEL PER AMS-QQ-N-290, CLASS 1, .00005" MIN.

SLEEVE: PASSIVATED PER AMS 2700

SPRING: PASSIVATED



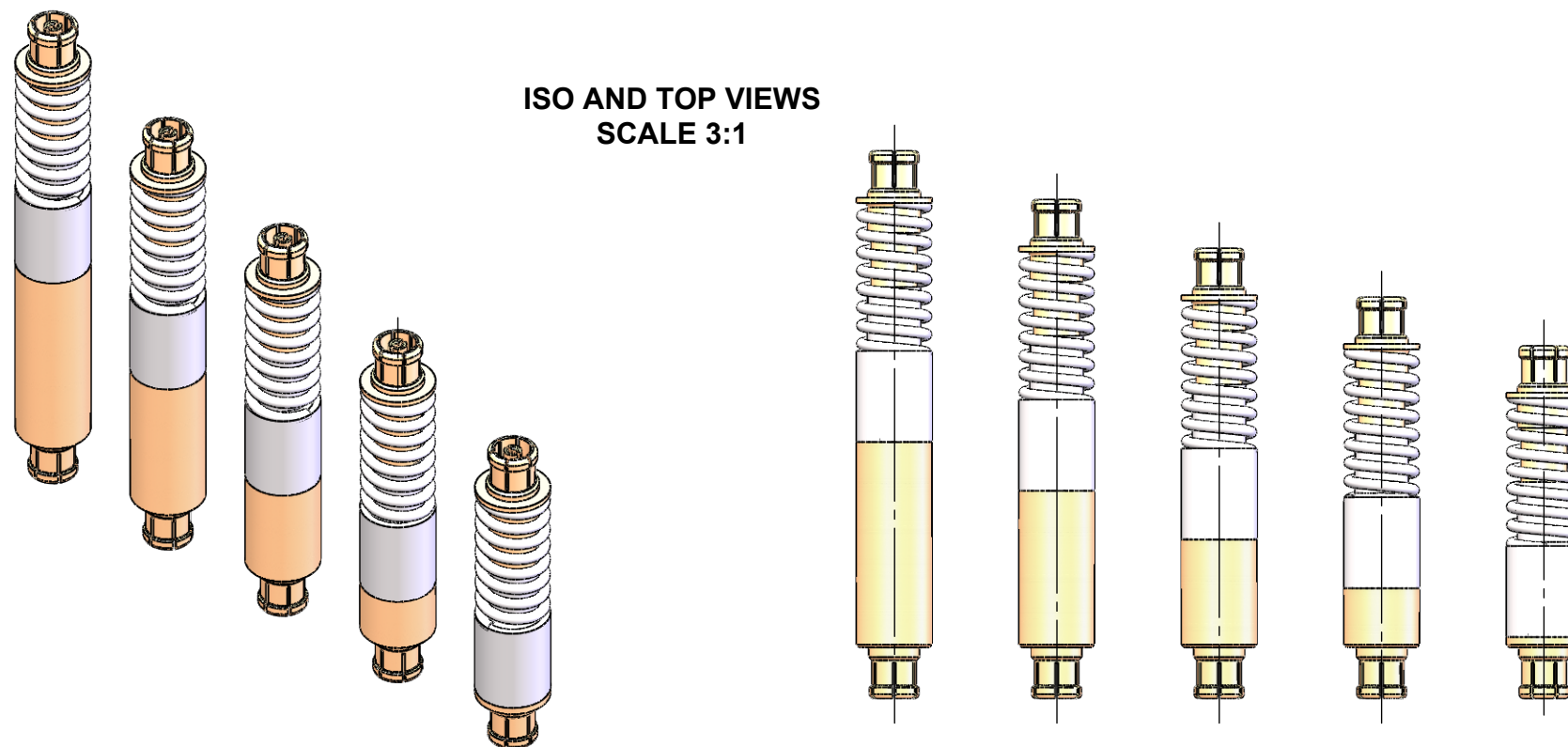
ELECTRICAL SPECIFICATIONS:

IMPEDANCE: 50 OHMS
FREQ. RANGE: DC TO 40.0 GHz.

MECHANICAL SPECIFICATIONS:

ENGAGE FORCE:
FULL DETENT: 9 LB MAX.
SMOOTH BORE: 2.5 LB MAX.

DISENGAGE FORCE:
FULL DETENT: 2 LB MIN.
SMOOTH BORE: .5 LB MIN.



| SV PART NUMBER | LENGTH | | |
|----------------|------------|---------|--------------|
| | COMPRESSED | NOMINAL | UNCOMPRESSED |
| 1132-4113 | .550" | .600" | .650" |
| 1132-4114 | .640" | .690" | .740" |
| 1132-4115 | .730" | .780" | .830" |
| 1132-4116 | .820" | .870" | .920" |
| 1132-4117 | .910" | .960" | 1.010" |

| | | | |
|----------------------------|---|---|---|
| MATERIAL: SEE NOTES | DIMENSIONS ARE IN INCHES TOLERANCES: FRACTIONAL: ±1/64 ANGULAR: X° ±1'0" X°X' ±15' | UNLESS OTHERWISE SPECIFIED 1) ALL DIMENSIONS ARE IN INCHES (MILLIMETERS) 2) ALL DIMENSIONS ARE AFTER PLATING. 3) BREAK CORNERS & EDGES .005 R. MAX. 4) CHAM. 1ST & LAST THREADS. 5) SURFACE ROUGHNESS 63-MIL-STD-10. 6) DIA: 'S ON COMMON CENTERS TO BE CONCENTRIC WITHIN .005 T.I.R. 7) REMOVE ALL BURRS | Amphenol www.svmicrowave.com TITLE: SMPM FEMALE TO FEMALE COMPRESSIBLE ADAPTER |
| FINISH: SEE NOTES | DECIMAL: X ±.030 .XX ±.010 .XXX ±.005 INTERPRET DIMENSIONS AND TOLERANCES PER ASME Y14.5M - 1994 | DRAWN: SRM 09/22/21 CHECKED: SEE PDM APPROVED: SEE PDM | |
| SURFACE AREA: N/A | THIRD ANGLE PROJECTION | SCALE: 8:1 | SIZE DWG. NO. B 1132-4113-4117 SHEET 1 OF 1 |