

PRODUCT DATA DRAWING

REVISION HISTORY			
REV	DESCRIPTION	DATE	APPROVED
-	NRN 46269	09/21	SEE PDM

MATERIAL:

BODIES & CONTACTS: BERYLLIUM COPPER PER ASTM B196, ALLOY No. UNS C17300, TD04.

SLEEVE: STAINLESS STEEL PER AMS 5640, ALLOY UNS S30300, TYPE 1 OR ASTM A582 TYPE 303, CONDITION A.

INSULATORS: PTFE PER ASTM D1710, TYPE I, GRADE 1, CLASS B.

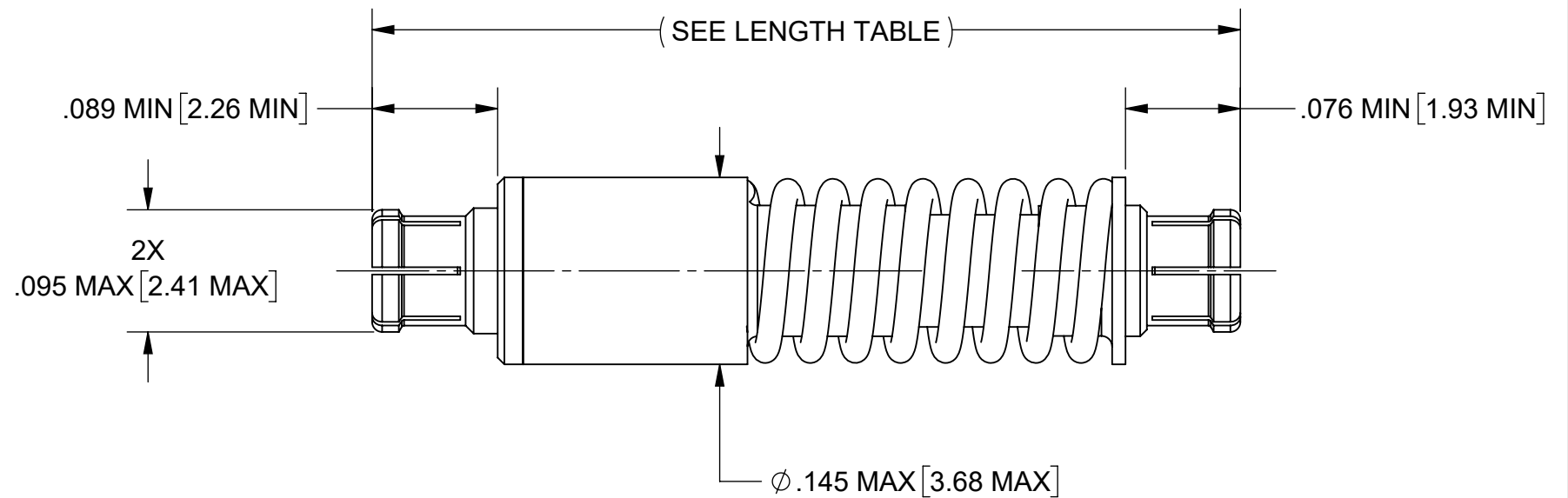
SPRING: STAINLESS STEEL PER ASTM A313, TYPE 631 OR AMS 5678.

FINISH:

BODIES & CONTACT: GOLD PER ASTM B488, TYPE II, CODE C, CLASS 1.27, OVER NICKEL PER AMS-QQ-N-290, CLASS 1, .00005" MIN.

SLEEVE: PASSIVATED PER AMS 2700

SPRING: PASSIVATED



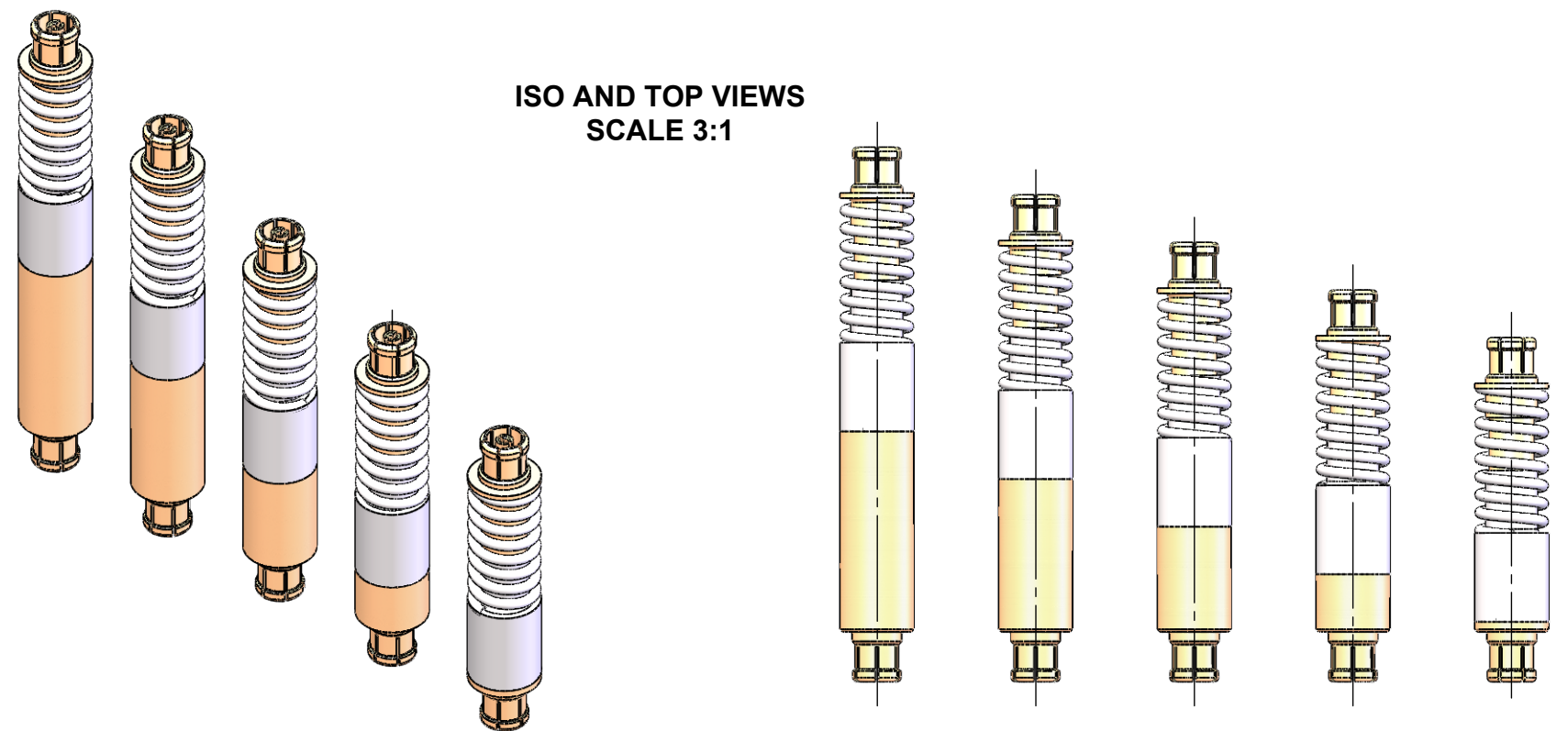
ELECTRICAL SPECIFICATIONS:

IMPEDANCE: 50 OHMS
FREQ. RANGE: DC TO 40.0 GHz.

MECHANICAL SPECIFICATIONS:

ENGAGE FORCE:
FULL DETENT: 9 LB MAX.
SMOOTH BORE: 2.5 LB MAX.

DISENGAGE FORCE:
FULL DETENT: 2 LB MIN.
SMOOTH BORE: .5 LB MIN.



SV PART NUMBER	LENGTH		
	COMPRESSED	NOMINAL	UNCOMPRESSED
1132-4113	.550"	.600"	.650"
1132-4114	.640"	.690"	.740"
1132-4115	.730"	.780"	.830"
1132-4116	.820"	.870"	.920"
1132-4117	.910"	.960"	1.010"

MATERIAL: SEE NOTES	DIMENSIONS ARE IN INCHES TOLERANCES: FRACTIONAL: $\pm 1/64$ ANGULAR: X° $\pm 1'0''$ X'X' $\pm 15''$	UNLESS OTHERWISE SPECIFIED 1) ALL DIMENSIONS ARE IN INCHES (MILLIMETERS) 2) ALL DIMENSIONS ARE AFTER PLATING. 3) BREAK CORNERS & EDGES .005 R. MAX. 4) CHAM. 1ST & LAST THREADS. 5) SURFACE ROUGHNESS 63-MIL-STD-10. 6) DIA: 'S ON COMMON CENTERS TO BE CONCENTRIC WITHIN .005 T.I.R. 7) REMOVE ALL BURRS	 Amphenol www.svmicrowave.com TITLE: SMPM FEMALE TO FEMALE COMPRESSIBLE ADAPTER
FINISH: SEE NOTES	DECIMAL: X $\pm .030$.XX $\pm .010$.XXX $\pm .005$ INTERPRET DIMENSIONS AND TOLERANCES PER ASME Y14.5M - 1994	DRAWN: SRM 09/22/21 CHECKED: SEE PDM APPROVED: SEE PDM	
SURFACE AREA: N/A	THIRD ANGLE PROJECTION	SCALE: 8:1	SIZE DWG. NO. 1132-4113-4117 SHEET 1 OF 1