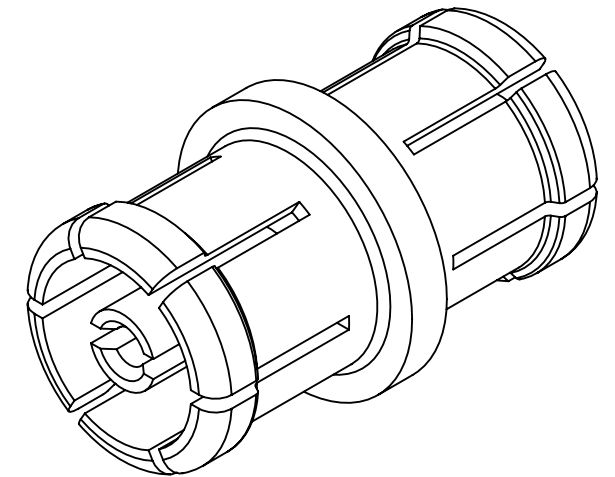
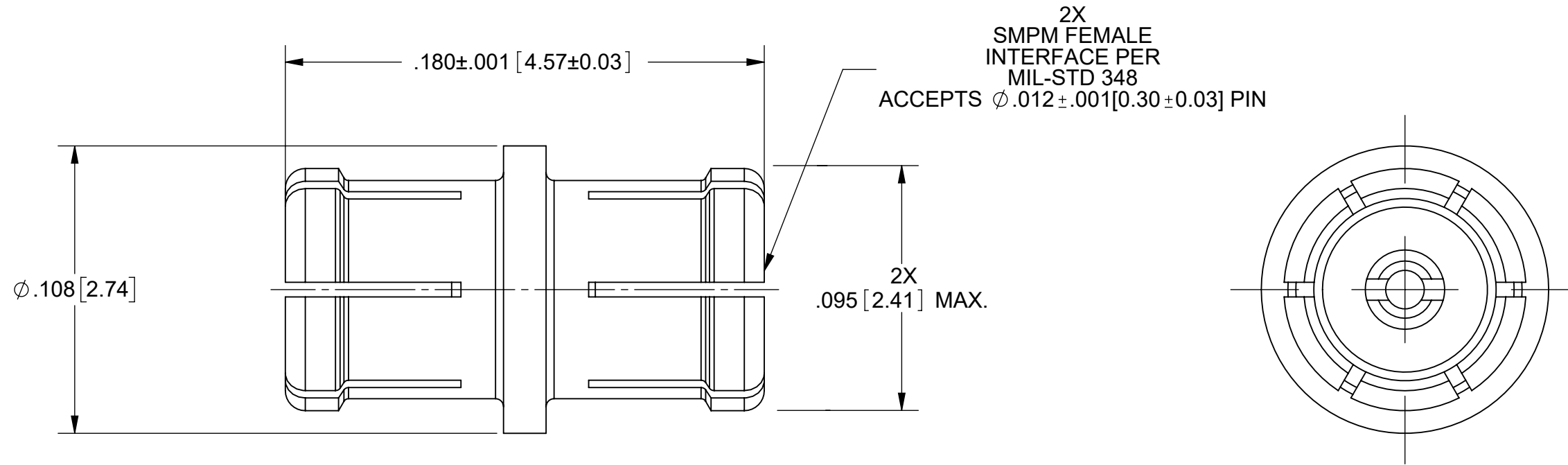


# PRODUCT DATA DRAWING

REVISION HISTORY			
REV	DESCRIPTION	DATE	APPROVED
-	NRN 47129	10/22	SEE PDM



**MATERIAL:**  
**BODY & CONTACT:** BERYLLIUM COPPER ALLOY C17300 PER ASTM B196  
**INSULATOR:** PTFE PER ASTM D1710, TYPE I, GRADE 1, CLASS B  
**FINISH:**  
**BODY & CONTACT:** GOLD PER ASTM B 488, TYPE I, CODE C, CLASS 0.51;  
 OVER COPPER PER AMS-2418, TYPE 1, .00005" MIN.

**PERFORMANCE:**  
**IMPEDANCE:** 50 OHMS  
**FREQ. RANGE:** DC TO 65.0 GHz  
**VSWR:** 1.30:1 DC TO 65.0 GHz

MATERIAL: SEE NOTES	DIMENSIONS ARE IN INCHES TOLERANCES: FRACTIONAL: ±1/64 ANGULAR: X° ±1'0" X°X' ±15'	UNLESS OTHERWISE SPECIFIED 1) ALL DIMENSIONS ARE IN INCHES (MILLIMETERS) 2) ALL DIMENSIONS ARE AFTER PLATING. 3) BREAK CORNERS & EDGES .005 R. MAX. 4) CHAM. 1ST & LAST THREADS. 5) SURFACE ROUGHNESS 63-MIL-STD-10. 6) DIA: 'S ON COMMON CENTERS TO BE CONCENTRIC WITHIN T.I.R. 7) REMOVE ALL BURRS	 <b>TITLE:</b> SMPM F TO SMPM F STR. NON MAGNETIC ADAPTER
FINISH: SEE NOTES	DECIMAL: X ±.030 .XX ±.010 .XXX ±.005	INTERPRET DIMENSIONS AND TOLERANCES PER ASME Y14.5M - 1994	
SURFACE AREA: N/A	THIRD ANGLE PROJECTION	DRAWN: JPM 10/28/22	SIZE DWG. NO. 1132-4139
<b>PROPRIETARY</b> THE INFORMATION CONTAINED IN THIS DRAWING IS THE SOLE PROPERTY OF SV MICROWAVE, INC. ANY REPRODUCTION IN PART OR AS A WHOLE WITHOUT THE WRITTEN PERMISSION OF SV MICROWAVE, INC IS PROHIBITED.		CHECKED: SEE PDM	SCALE: 20:1
		APPROVED: SEE PDM	SHEET 1 OF 1