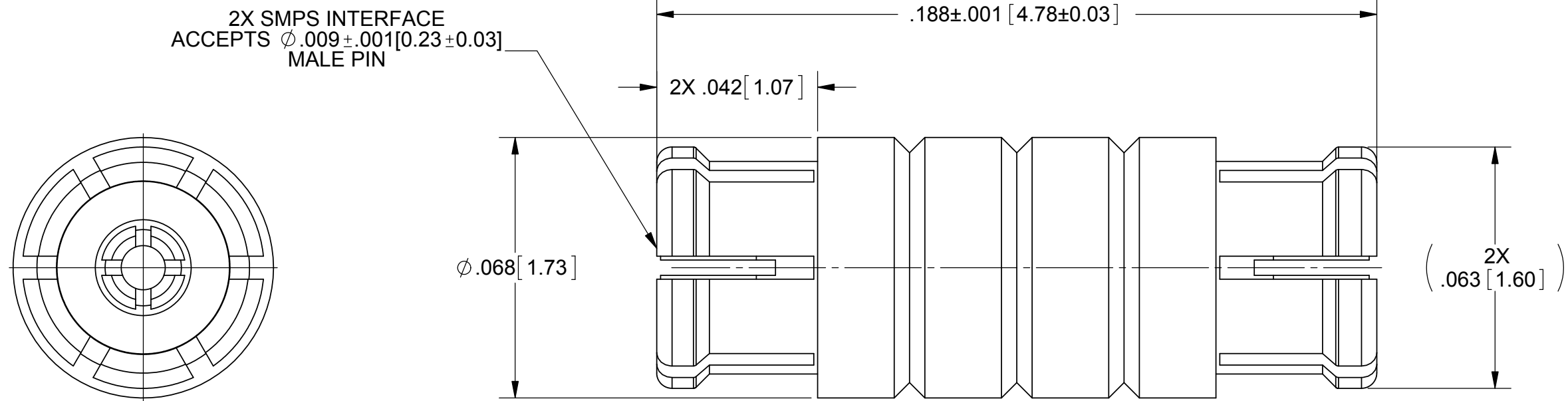


PRODUCT DATA DRAWING

REVISION HISTORY			
REV	DESCRIPTION	DATE	APPROVED
-	REL. DCN 37313	01/22/10	STW
A	REV. DCN 37498	04/22/10	STW
B	DCN 39509	11/12	STW



MATERIAL:
 BODY, &
 CONTACT: BERYLLIUM COPPER PER ASTM B196,
 ALLOY No. UNS C17300, TD04
INSULATOR: PTFE PER ASTM D1710, TYPE I, GRADE 1, CLASS B
FINISH:
 BODY &
 CONTACT: GOLD PER ASTM B 488, TYPE II, CODE C, CLASS 1.27,
 OVER NICKEL PER AMS-QQ-N-290, CLASS 1, .00005" MIN.
PERFORMANCE:
IMPEDANCE: 50 OHMS
VSWR: 1.15:1 DC TO 40 GHz TYPICAL
 1.25:1 TO 65 GHz TYPICAL
INSERTION LOSS: .12 X SQRT(F IN GHz)
DWV: 250 VRMS
OPERATING TEMP.: -55°C TO +165°C
ENGAGEMENT: 3.5 LBS TYPICAL IN FULL DETENT
 1.6 LBS TYPICAL IN SMOOTH BORE
DISENGAGEMENT: 2.0 LBS TYPICAL IN FULL DETENT
 0.5 LBS TYPICAL IN SMOOTH BORE

MATERIAL: SEE NOTES	DIMENSIONS ARE IN INCHES TOLERANCES: FRACTIONAL: ±1/64 ANGULAR: X° ±1'0" X*X' ±15'	UNLESS OTHERWISE SPECIFIED 1) ALL DIMENSIONS ARE IN INCHES (MILLIMETERS) 2) ALL DIMENSIONS ARE AFTER PLATING. 3) BREAK CORNERS & EDGES .005 R. MAX. 4) CHAM. 1ST & LAST THREADS. 5) SURFACE ROUGHNESS 63-MIL-STD-10. 6) DIA. 'S ON COMMON CENTERS TO BE CONCENTRIC WITHIN .005 T.I.R. 7) REMOVE ALL BURRS	SV Microwave, Inc. 2400 Centrepark West Drive, Suite 100 West Palm Beach, FL 33409
FINISH: SEE NOTES	DECIMAL: .X ±.030 .XX ±.010 .XXX ±.005	INTERPRET DIMENSIONS AND TOLERANCES PER ASME Y14.5M - 1994	TITLE: ADAPTOR SMPS FEMALE TO FEMALE
SURFACE AREA: N/A	THIRD ANGLE PROJECTION	DRAWN: JMC 01/22/10	SIZE: B CAGE CODE: 95077 DWG. NO. 1138-4004
PROPRIETARY THE INFORMATION CONTAINED IN THIS DRAWING IS THE SOLE PROPERTY OF SV MICROWAVE, INC. ANY REPRODUCTION IN PART OR AS A WHOLE WITHOUT THE WRITTEN PERMISSION OF SV MICROWAVE, INC IS PROHIBITED.		CHECKED: STW 01/22/10	SCALE: 30:1
		APPROVED: STW 01/22/10	SHEET 1 OF 1