

TK 2518 – Polystyrene and Polycarbonate – 254x180mm (10.0x7.09in.)

Standard Features

- **Protection Level:** IP66 (NEMA 4X)
- **Technical:** Smooth or Knockout Sidewalls
Gray or Tinted Transparent Cover ①
Multiple Enclosure Mounting Options
- **Enclosure Material:** Polystyrene or Polycarbonate
- **Gasket Material:** Polyurethane
- **Color:** Light Gray
- **Temperature Range:** Polystyrene
-40°C to 70°C (-40°F to 158°F)
Polycarbonate
-35°C to 120°C (-31°F to 248°F)
- **Accessories:** See section below



Smooth Sidewalls

| Ordering Information | Height mm (in) | Polystyrene | | | | Polycarbonate | | | |
|---------------------------|------------------|-------------|---------------|-------------|----------|---------------|---------------|-------------|----------|
| | | Cat. No. | Type | Cover Color | Std. Pk. | Cat. No. | Type | Cover Color | Std. Pk. |
| Enclosure - low cover | 90 mm (3.54 in) | 110-408 | PS 2518-9-o | gray | 1 | 120-408 | PC 2518-9-o | gray | 1 |
| Enclosure - high cover | 111 mm (4.37 in) | 110-908 | PS 2518-11-o | gray | 1 | 120-908 | PC 2518-11-o | gray | 1 |
| Enclosure - top hat cover | 165 mm (6.50 in) | 109-408 | PS 2518-16-o | gray | 1 | 121-408 | PC 2518-16-o | gray | 1 |
| Enclosure - low cover | 90 mm (3.54 in) | 111-008 | PS 2518-9-to | trans. | 1 | 130-008 | PC 2518-9-to | trans. | 1 |
| Enclosure - high cover | 111 mm (4.37 in) | 111-508 | PS 2518-11-to | trans. | 1 | 130-508 | PC 2518-11-to | trans. | 1 |
| Enclosure - top hat cover | 165 mm (6.50 in) | 112-008 | PS 2518-16-to | trans. | 1 | 131-008 | PC 2518-16-to | trans. | 1 |

Sidewalls with PG Knockouts (metric available)

| Ordering Information | Height mm (in) | Polystyrene | | | | Polycarbonate | | | |
|---------------------------|------------------|-------------|--------------|-------------|----------|---------------|--------------|-------------|----------|
| | | Cat. No. | Type | Cover Color | Std. Pk. | Cat. No. | Type | Cover Color | Std. Pk. |
| Enclosure - low cover | 90 mm (3.54 in) | 115-408 | PS 2518-9 | gray | 1 | 125-408 | PC 2518-9 | gray | 1 |
| Enclosure - high cover | 111 mm (4.37 in) | 115-908 | PS 2518-11 | gray | 1 | 125-908 | PC 2518-11 | gray | 1 |
| Enclosure - top hat cover | 165 mm (6.50 in) | 114-408 | PS 2518-16 | gray | 1 | 126-408 | PC 2518-16 | gray | 1 |
| Enclosure - low cover | 90 mm (3.54 in) | 116-008 | PS 2518-9-t | trans. | 1 | 135-008 | PC 2518-9-t | trans. | 1 |
| Enclosure - high cover | 111 mm (4.37 in) | 116-508 | PS 2518-11-t | trans. | 1 | 135-508 | PC 2518-11-t | trans. | 1 |
| Enclosure - top hat cover | 165 mm (6.50 in) | 117-008 | PS 2518-16-t | trans. | 1 | 136-008 | PC 2518-16-t | trans. | 1 |

RK Enclosures with Terminal Blocks

| Ordering Information | Height | Cat. No. | Type | Cover Color | Std. Pk. |
|-------------------------------------|-----------------|----------|--------|-------------|----------|
| Enclosure - 32 pole/10 AWG Terminal | 90 mm (3.54 in) | 625-404 | RK2518 | gray | 1 |
| Enclosure - DIN Rail only (TS35) | 90 mm (3.54 in) | 625-916 | RK2518 | gray | 1 |

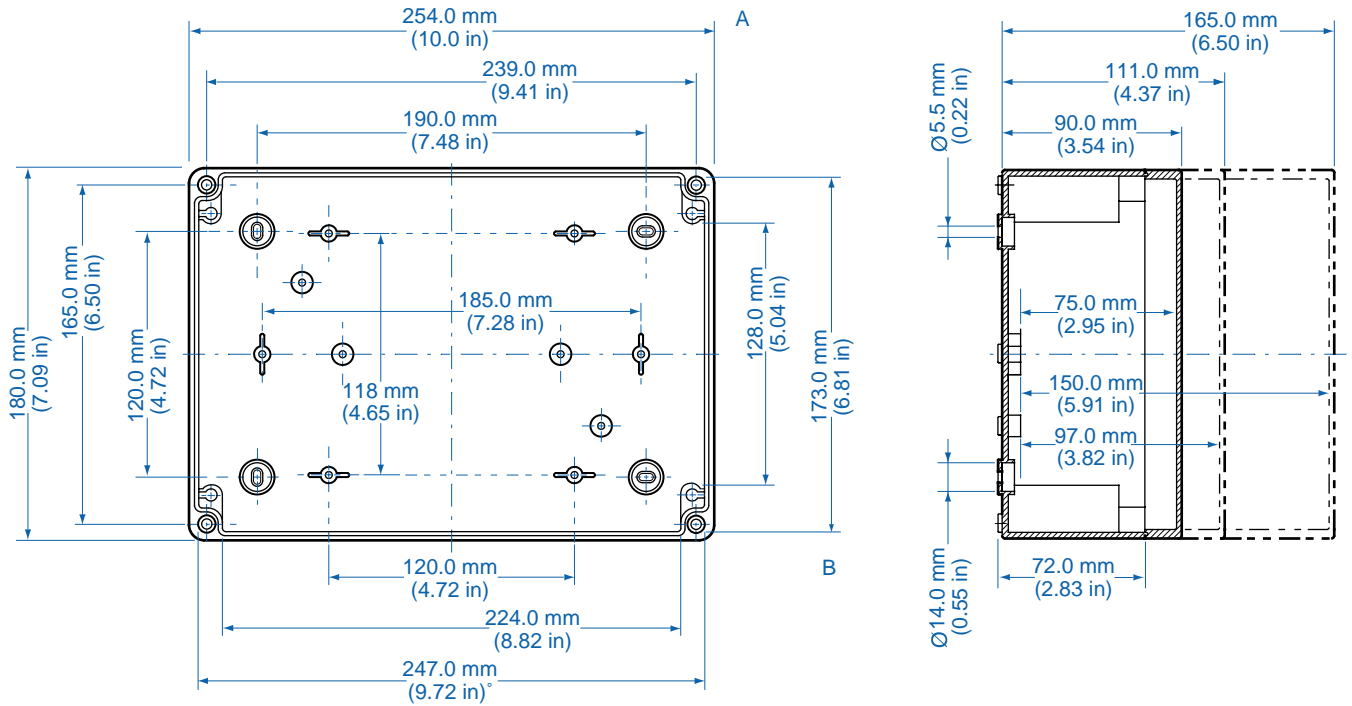
Accessories

| Ordering Information | Cat. No. | Type | Std. Pk. |
|----------------------|----------|-----------|----------|
| Mounting Plate | 195-008 | MP2518 | 1 |
| DIN Rail TS35-216mm | Z-652 | TS 35/216 | 1 |
| Hinge Kit Set | 190-005 | HK2 | 1 |
| Mounting Tab Kit | 194-001 | MT1 | 1 |

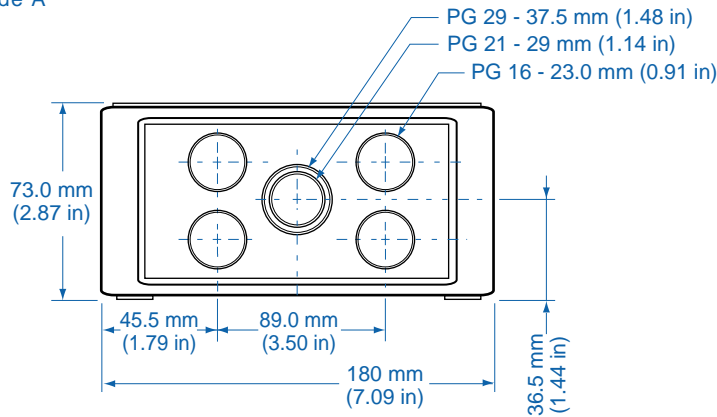
Please refer to pages 106-113 for additional accessories and detailed information.

① Clear transparent lids available upon request

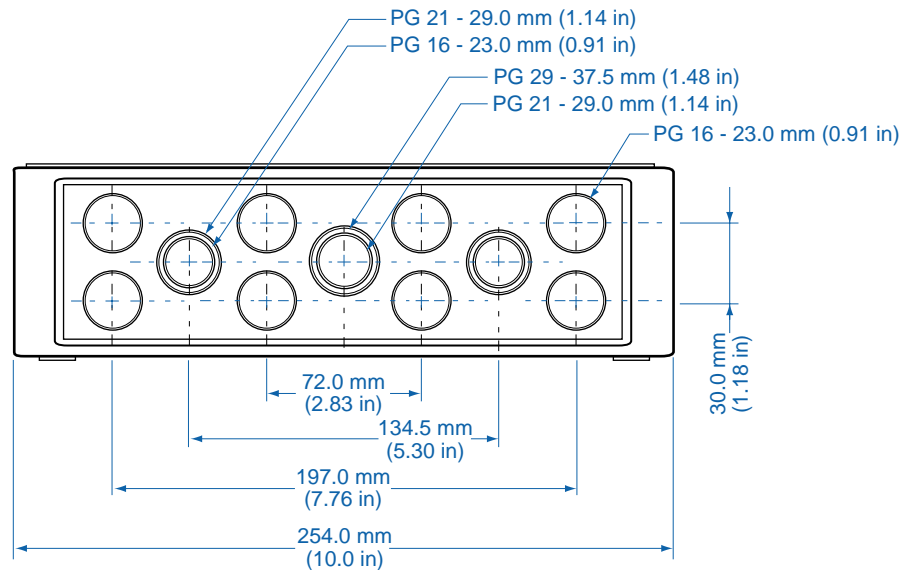
Dimensions



Knockout Positions [®] Side A



Side B



[®] Metric knockouts available upon request