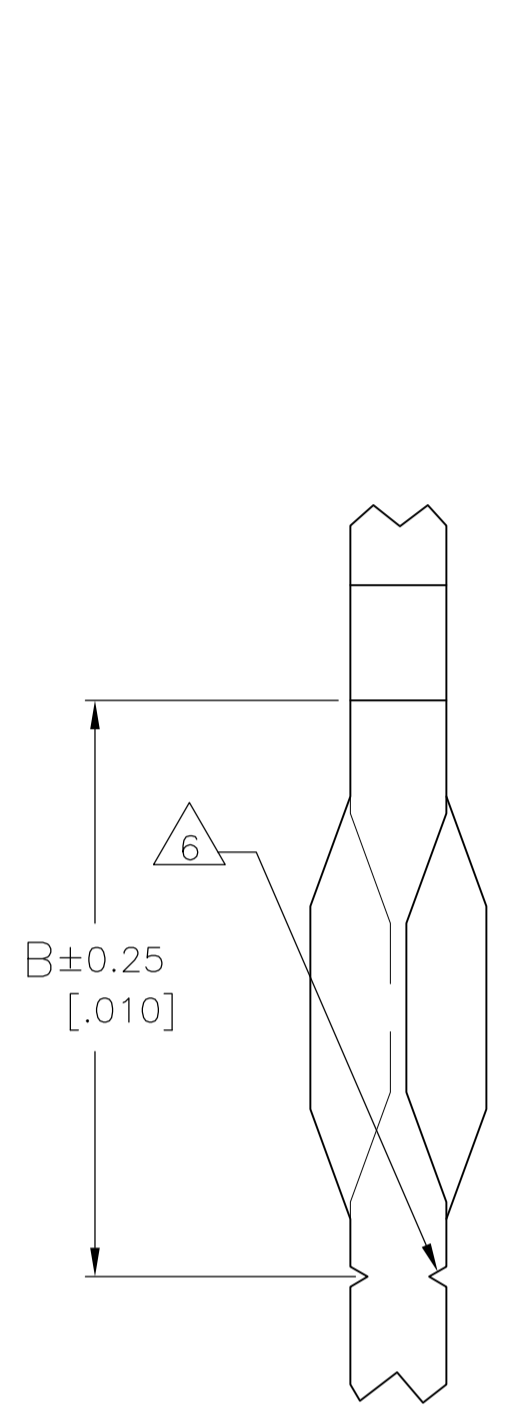
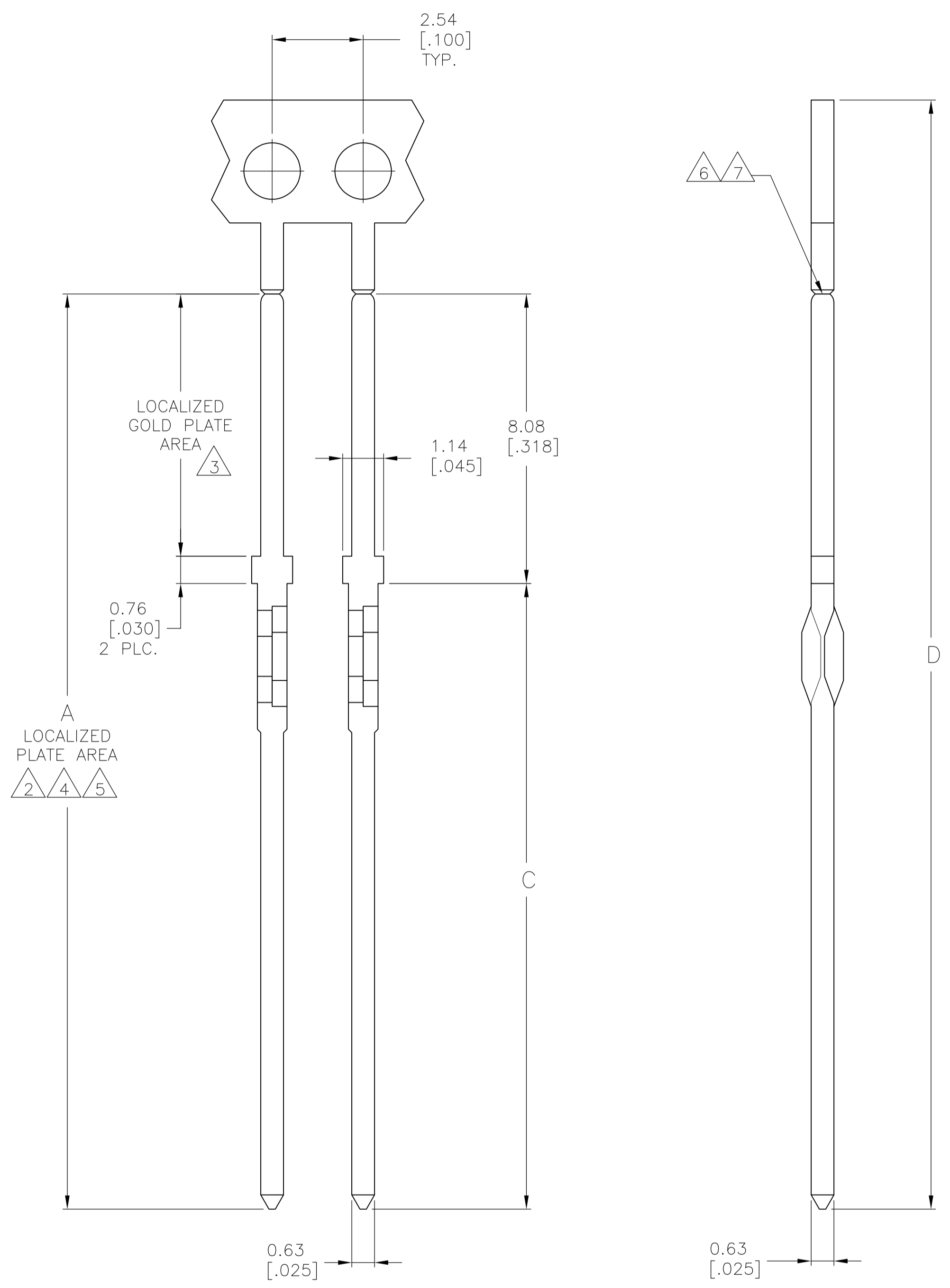


REVISIONS				
P	LTR	DESCRIPTION	DATE	BY
AK	REVISED PER	ECO-15-015185	05SEP2016	SY



DETAIL S
SCALE 20:1
SEE TABLE

- 1 COPPER ALLOY.
- 2 1.27µm [.000050] MIN. GOLD PER MIL-G-45204 OVER
2.54µm [.000100] MIN. NICKEL PER QQ-N-290 IN LOCALIZED PLATE AREA.
- 3 0.76µm [.000030] MIN. GOLD PER MIL-G-45204 IN LOCALIZED GOLD PLATE AREA, 0.025µm [.000001] MIN. GOLD FLASH PER MIL-G-45204 ON REMAINDER, BOTH OVER 1.27µm [.000050] MIN. NICKEL PER QQ-N-290.
- 4 0.76µm [.000030] MIN. GOLD PER MIL-G-45204 OVER
2.54µm [.000100] MIN. NICKEL PER QQ-N-290 IN LOCALIZED PLATE AREA.
- 5 2.54µm [.000100] MIN. TIN-LEAD OVER
1.27µm [.000050] MIN. NICKEL PER QQ-N-290 IN LOCALIZED PLATE AREA.
- 6 PRE-NOTCH SHOULD BREAK WITH 120° BEND.
- 7 POST TIP IS MATEABLE WITH FEMALE CONNECTOR.
- 8. TYPICAL REEL QUANTITY IS 50,000±5,000 POSTS.
- 9. RECOMMENDED BOARD THICKNESS IS 2.36-3.18 [.093-.125].
- 10. REQUIRED HOLE DIAMETER TOLERANCES:

HOLE DIA. ±0.03[.001]	PLATING THICKNESS		HOLE DIA.		COPPER HARDNESS KNOOP	PAD DIA. MIN.
	COPPER	TIN-LEAD	AFTER PLATING	AFTER REFLOW		
1.151 [.0453]	0.03-0.08 [.001-.003]	0.008 MIN. [.0003]	0.94-1.09 [.037-.043]	0.94-1.09 [.037-.043]	150 MAX.	1.57 [.062]
1.151 [.0453]	NOT PLATED THRU					1.65 [.065]

- 12 2.54µm [.000100] MIN. TIN OVER
1.27µm [.000050] MIN. NICKEL PER QQ-N-290 IN LOCALIZED PLATE AREA.
- 13 2.54µm [.000100] MIN. MATTE TIN OVER.
1.27µm [.000050] MIN. NICKEL PER QQ-N-290 IN LOCALIZED PLATE AREA.

OBSOLETE			26.19 [1.031]	12.70 [.500]	-	20.78 [.818]	13	7-117249-0
OBSOLETE	PER DETAIL S		30.94 [1.218]	17.45 [.687]	5.84 [.230]	25.53 [1.005]	12	6-117249-8
OBSOLETE			30.94 [1.218]	17.45 [.687]	-	25.53 [1.005]	12	6-117249-7
OBSOLETE	PER DETAIL S		30.94 [1.218]	17.45 [.687]	5.84 [.230]	25.53 [1.005]	5	6-117249-6
OBSOLETE			30.94 [1.218]	17.45 [.687]	-	25.53 [1.005]	5	6-117249-5
OBSOLETE	PER DETAIL S		30.94 [1.218]	17.45 [.687]	5.84 [.230]	25.53 [1.005]	3	6-117249-3
OBSOLETE	PER DETAIL S		30.94 [1.218]	17.45 [.687]	7.19 [.283]	25.53 [1.005]	3	6-117249-1
OBSOLETE			26.19 [1.031]	12.70 [.500]	-	20.78 [.818]	5	5-117249-6
		118470	26.19 [1.031]	12.70 [.500]	-	20.78 [.818]	3	3-117249-2
	PER DETAIL S	118385	30.94 [1.218]	17.45 [.687]	4.57 [.180]	25.53 [1.005]	3	3-117249-1
OBSOLETE		117249	30.94 [1.218]	17.45 [.687]	-	25.53 [1.005]	4	1-117249-2
		117820	30.94 [1.218]	17.45 [.687]	-	25.53 [1.005]	3	117249-7
		117259	30.94 [1.218]	17.45 [.687]	-	25.53 [1.005]	2	117249-2
	PRE-NOTCH	COMB NUMBER	D	C	B	A	FINISH	PART NUMBER

THIS DRAWING IS A CONTROLLED DOCUMENT.

DIMENSIONS: mm [INCHES]	TOLERANCES UNLESS OTHERWISE SPECIFIED:	DIN D. HARDY 24JAN00	APPROVED M. MILLER 04FEB00	NAME M. MILLER 04FEB00	DATE 04FEB00
0 PLC ± -	1 PLC ± -	2 PLC ± 0.25[.010]	3 PLC ± -	4 PLC ± -	ANGLES ± °
MATERIAL 1	FINISH SEE TABLE	WEIGHT 0.000000	SIZE A1	CAGE CODE 00779	DRAWING NO. 117249
CUSTOMER DRAWING			SCALE 10:1	SHEET 1 of 1	REV AK

STE TE Connectivity
POST, FEED-THRU ECONOMATE