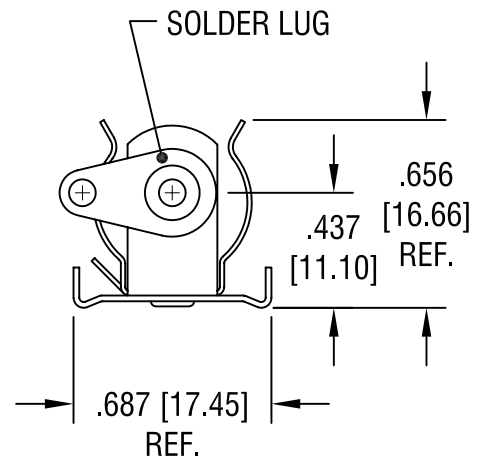
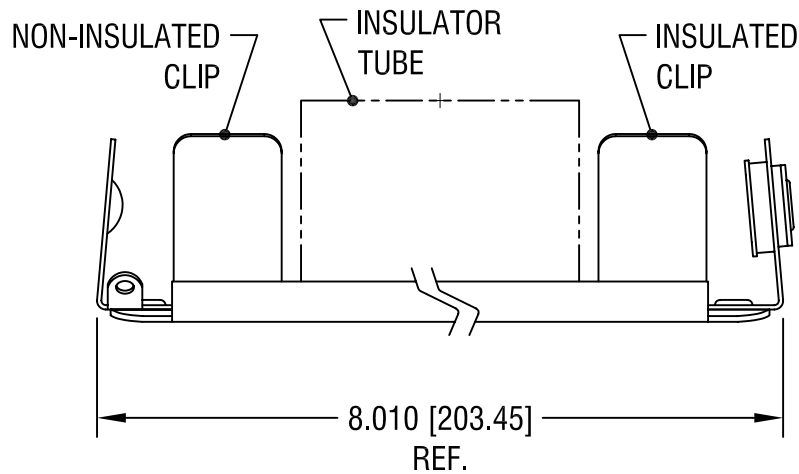
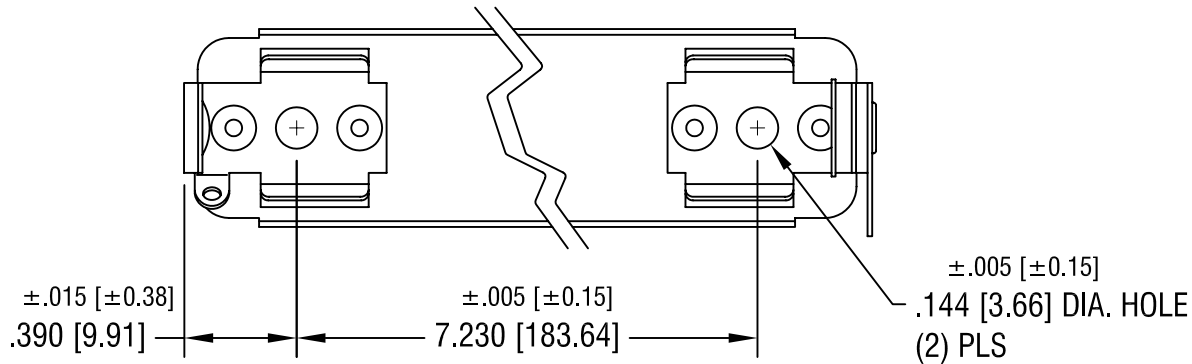


THIS DOCUMENT IS THE PROPERTY OF
KEYSTONE ELECTRONICS CORP. AND
SHALL NOT BE REPRODUCED, DISTRIBUTED
OR USED AS A BASIS FOR MANUFACTURE
WITHOUT PRIOR WRITTEN PERMISSION
FROM KEYSTONE ELECTRONICS CORP.



NOTES:

- 1. BASE: MAT'L - STAINLESS STEEL
- CLIP: MAT'L - SPRING STEEL
- FINISH - NICKEL PLATE
- LUG: MAT'L - BRASS
- FINISH - TIN PLATE
- TUBE: MAT'L - WOUND PAPER, BLACK

KEYSTONE ELECTRONICS CORP.

ASTORIA, N.Y. 11105-2017

PART NAME
NON-INSULATED BATTERY HOLDER, (4) 'AA'

MATERIAL
AS NOTED

FINISH AS NOTED	DRN BY	BOONE	DATE	4.5.82
	APP'D	LN	SCALE	1.5X

TOLERANCES	INCH	[MM]	CODE	DWG NO.
DECIMAL	$\pm .010$	[± 0.25]	C	1194
ANGULAR	$\pm 1^\circ$			
UNLESS OTHERWISE SPECIFIED				

6.13.00	CHANGE AS PER ECN 00-047	B
11.12.97	CHANGE AS PER ECR 97-059	A
DATE	DESCRIPTION	REV.