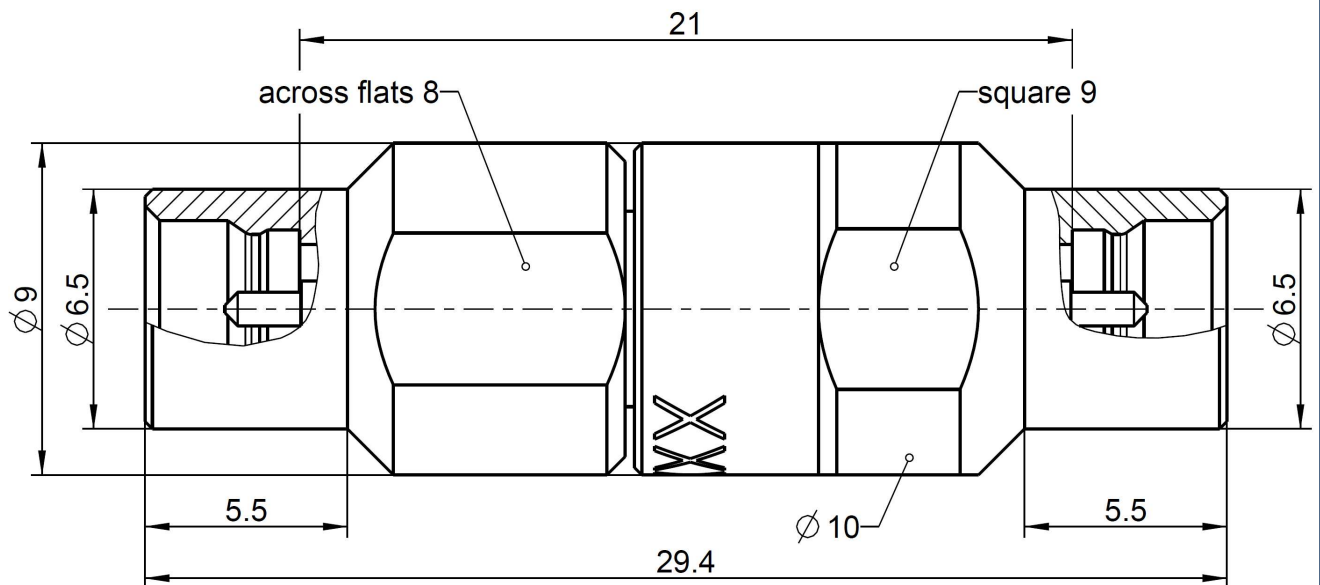
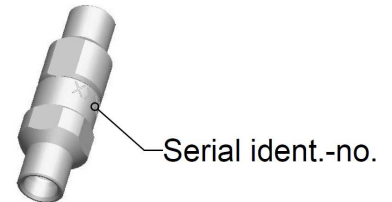


P-SMP

Calibration Adaptor
Plug full detent / Plug full detent

119S101-S20D3



All dimensions are in mm; tolerances according to ISO 2768 m-H

Interface

According to Rosenberger P-SMP

Documents

Application note AN001 "Calibration Services"

Material and plating

Connector parts

Center conductor	Material CuBe	Plating Gold, min. 1.27 µm, over nickel
Outer conductor	CuBe or equiv.	Gold, min. 1.27 µm, over nickel
Dielectric	PS	

Dieses Dokument ist urheberrechtlich geschützt • This document is protected by copyright • Rosenberger Hochfrequenztechnik GmbH & Co. KG

RF_35/05.10/6.0

Electrical data

Frequency range	DC to 10 GHz
Return loss	≥ 30 dB, DC to 4 GHz ≥ 26 dB, 4 GHz to 10 GHz

Mechanical data

Mating cycles	≥ 100
Engagement force	
- Full detent	68 N
Disengagement force	
- Full detent	25 N
Gauge	0.00 mm to 0.08 mm

General standard definition

For proper operation the vector network analyzer (VNA) needs a model describing the electrical behaviour of this calibration standard. The different models, units, and terms used will depend on the VNA type and they will have to be entered into the VNA. All values are based on typical geometry and plating.

Offset Z_o / Impedance / Z_o	50 Ω
Offset Delay	71.6899 ps
Length (electrical) / Offset Length	21.50 mm
Offset Loss	2.51 G Ω /s
Loss	0.0156 dB/ $\sqrt{\text{GHz}}$

Environmental data

Operating temperature range ¹	+20 °C to +26 °C
Rated temperature range of use ²	0 °C to +50 °C
Storage temperature range	-40 °C to +85 °C

RoHS compliant

¹ Temperature range over which these specifications are valid.

² This range is underneath and above the operating temperature range, within the calibration adaptor is fully functional and could be used without damage.