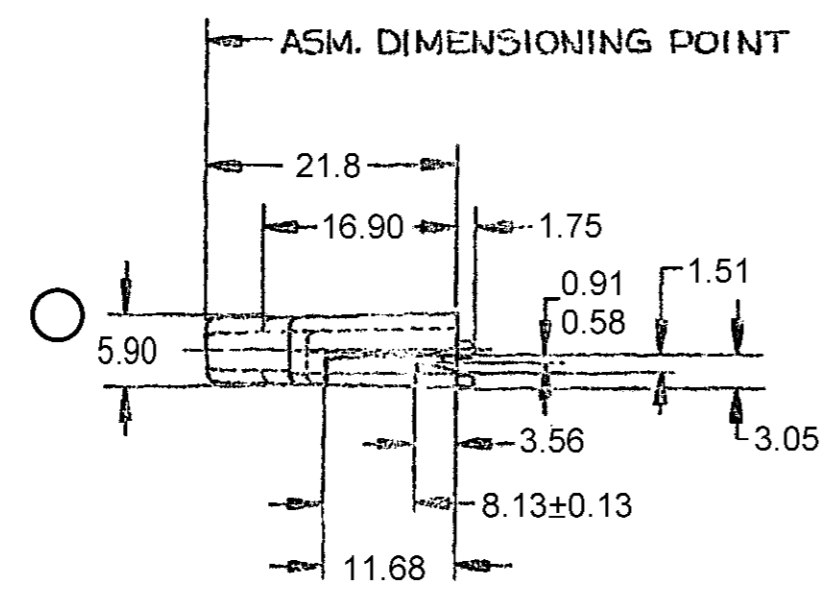
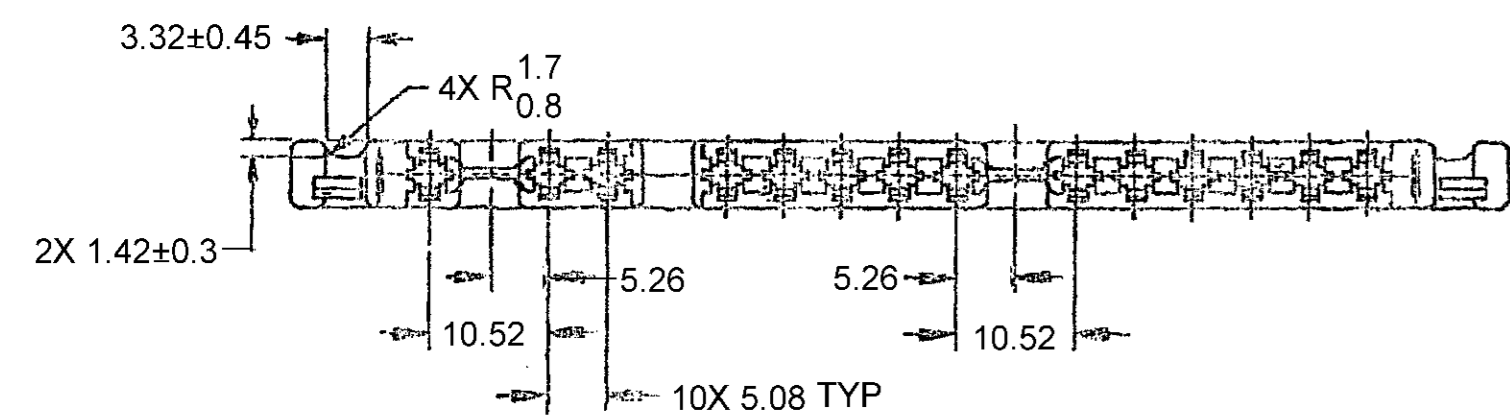
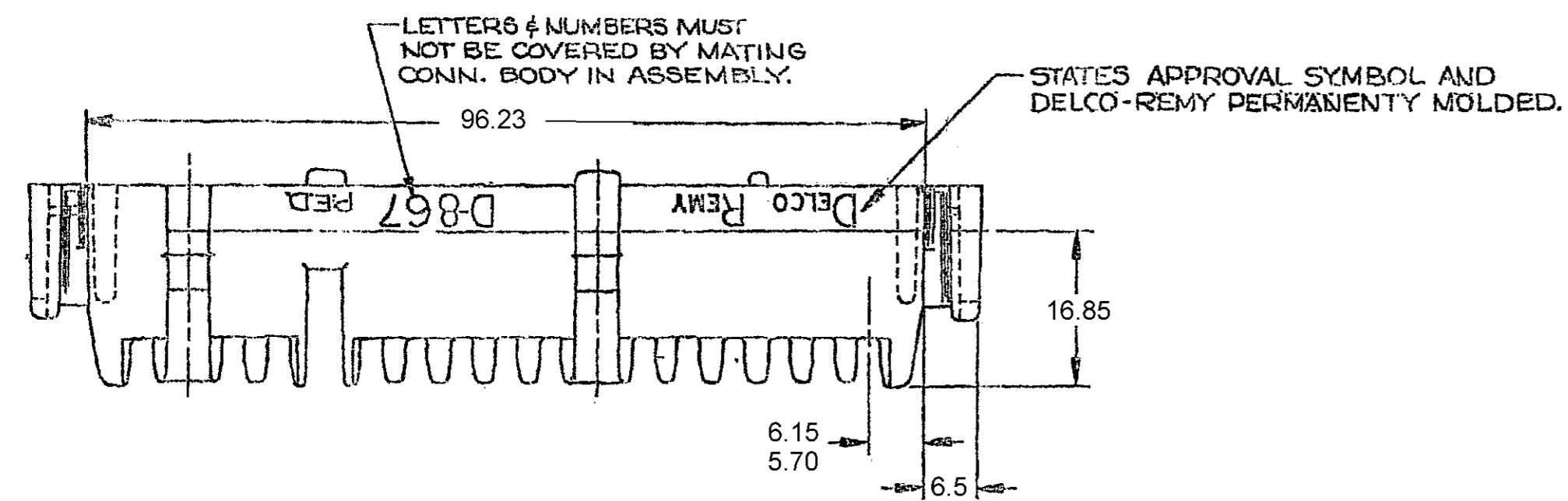
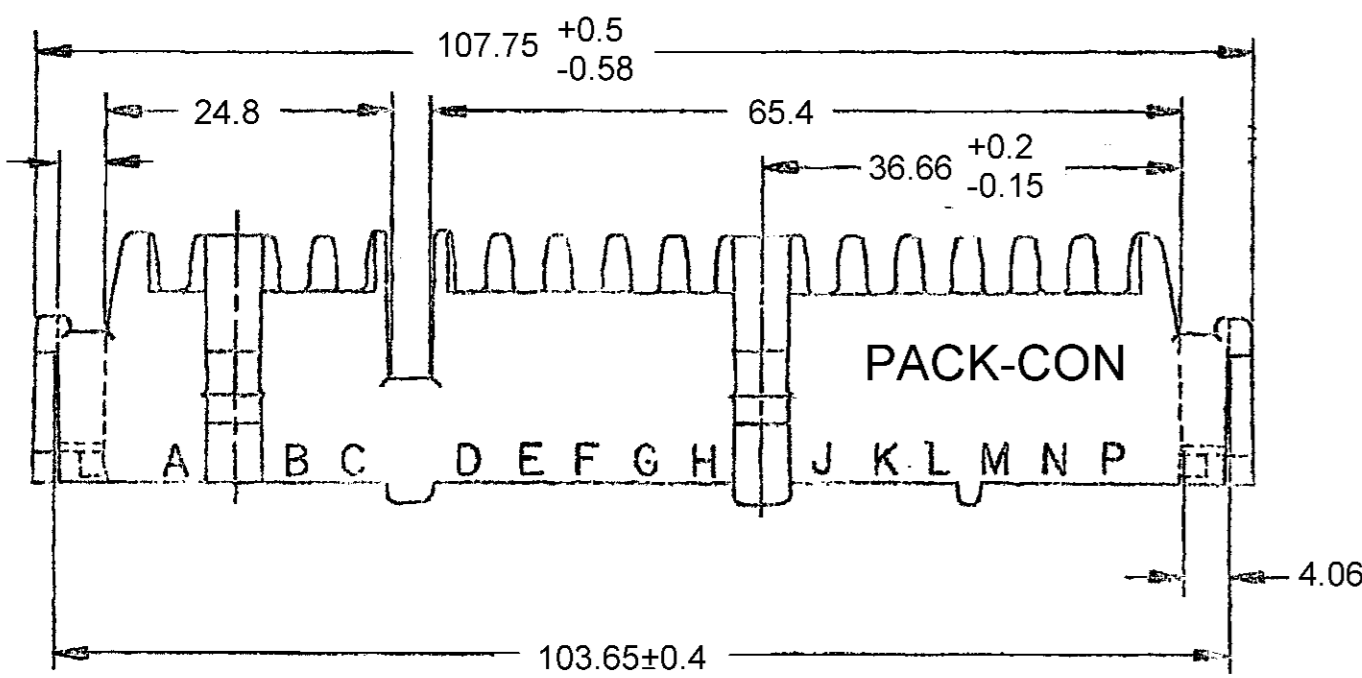


DWG STATUS				ZONE	REVISION HISTORY	AUTH	DR	APVD1	APVD2
DATE	STG	REV	N/P						
12AU05	R	27	-	-	CLEARED REV COLUMN; ALL ACTIVE PARTS - REVISED MAT'L SPEC AND NOTES	270447	EES	EES	ET
20JA06	R	28	-	-	ALL ACTIVE PARTS - 107.75±0.5-0.58 WAS 107.75±0.5 AND 36.66±0.2-0.15 WAS 36.66	276602	TLD	TLD	ET
21JN06	R	29	-	-	12004313 - OBSOLETE	281940	RMG	JAA	JBS
16AU06	R	30	-	-	12004313 - REINSTATED	283736	JTZ	AUG	JBS
07DE06	R	31	-	-	ALL ACTIVE PARTS - 2X 4.47 ±0.45 REF WAS 2X .47 ±0.45 AND ADDED MISSING DIM	287680	JTZ	JAA	EST



MATING END

NOTES— KEY PRODUCT CHARACTERISTIC SYMBOLS (⊙, ⊚) CHARACTERISTICS THAT REQUIRE SPECIAL CARE ACCEPTANCE CRITERIA PER GM TARGETS FOR ELECTRIC PROCEDURES.



NOTES

- UNLESS OTHERWISE SPECIFIED AND/OR INDICATED: DIMENSIONS ARE TO FACE OF VIEW SHOWN
- MATERIAL RECYCLING CODE PER ISO 11469. (2.3)X(0.1) CHARACTERS AS SHOWN TO BE LOCATED ON ANY EXTERIOR SURFACE. OPTIONAL CONSTRUCTION TO BE NO MATERIAL RECYCLE CODE
- THIS PART IS NOT CONTROLLED FOR AUTOMATIC FEEDING.
- REFERENCE MATING COMPONENTS OR EQUIVALENT:
CONNECTOR 12004147
CONNECTOR 08905205
- THIS PART ACCEPTS THE FOLLOWING COMPONENTS OR EQUIVALENT:
TERMINAL 06294511
MAX INSULATION CRIMP MUST BE LESS THAN 3.61 HIGH AND 5.87 WIDE.
- (2.3)X(0.1) DELPHI CORPORATE BRAND TO BE LOCATED ON ANY EXTERIOR SURFACE, PREFERABLY VISIBLE AT FINAL ASSEMBLY. OPTIONAL CONSTRUCTION FOR EXISTING TOOLING MAY BE "PED" OR NO LOGO.

12066449	G	-	OBSOLETE	R-63785 (NY 6 - LT GRA)
12059769	M3	-		M3592008 PA66 HS IM BLU
12004313	I3	AD	-	M3592024 PA66 HS IM CRM
12004148	M3	-		M3592001 PA66 HS IM BLK
PART NO	REV	N/P	STATUS	MATERIAL SPECIFICATION AND COLOR

(N/A) PROCESS SENSITIVE DIMENSION
DIMENSIONS ENCLOSED IN () INDICATE REFERENCE DIMENSIONS AND NO TOLERANCE LIMITS ARE ESTABLISHED
TOLERANCE UNLESS OTHERWISE SPECIFIED:
ONE PLACE ±0.3
TWO PLACE ±0.15
ANGULAR ±2°

DWG TYPE		PART DRAWING	
STYLE			
VOLUME (IMP)	DISTR CODE		
UNLESS OTHERWISE SPECIFIED THIS DOCUMENT IS IN ACCORDANCE WITH ASME Y14.5M-1994 AS AMENDED BY THE GM GLOBAL DIMENSIONING AND TOLERANCING ADDENDUM-2001. SEPARATE PATTERNS OF FEATURES MAY BE GAGED SEPARATELY REGARDLESS OF DATUM REFERENCES.			
ALL DIMENSIONS ARE IN MILLIMETERS			
THIRD ANGLE PROJECTION	DO NOT SCALE	UNIGRAPHICS	
USE MATH DATA			

DELPHI						
DELPHI PACKARD ELECTRIC SYSTEMS WARREN, OH						
DR	DATE					
APVD1 P. SEMINARA	22MR76					
APVD2 T. MUDREY	24MR76					
APVD3 J. SCHLUSTER	24MR76					
APVD4						
APVD5						
SUBSTANCES OF CONCERN AND RECYCLED CONTENT PER DELPHI 10949001						
MATERIAL SEE CHART						
DRAWING NAME TAXI CONN M PAC/ON I						
DRAWING NUMBER 12004354						
SIZE A1	SCALE NONE	FRAME NO 1 OF 1	SHEET NO 1 OF 1	STG R	REV 31	N/P -