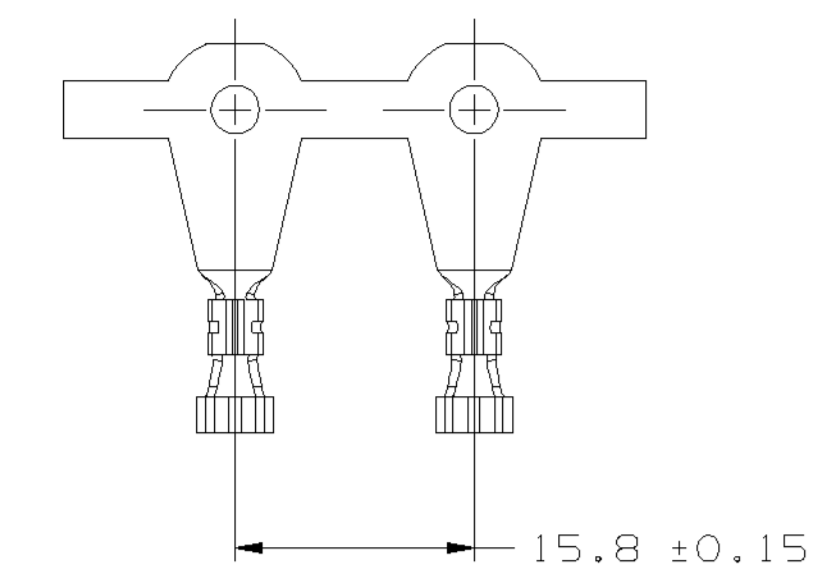


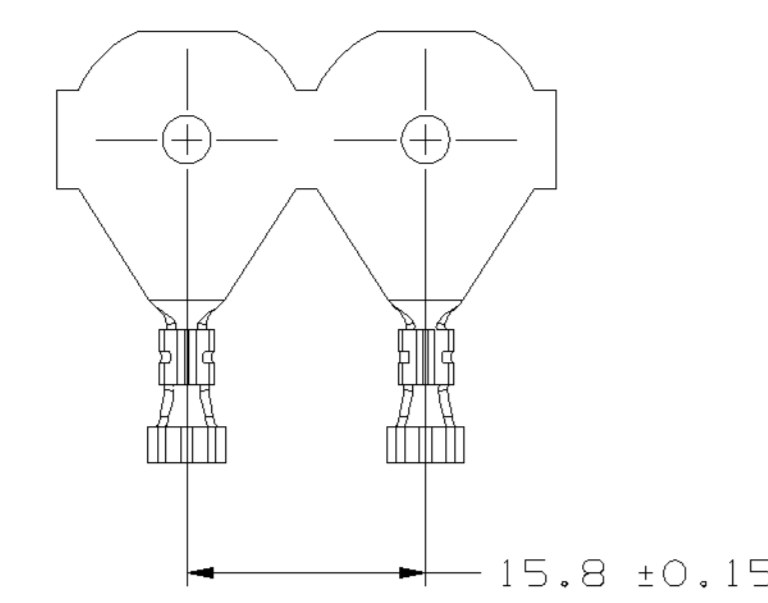
DELPHI PACKARD ELECTRIC SYSTEMS
WARREN, OHIO 44486

SYMBOL DEFINITION		MISSING SYMBOLS	
A DIMENSION WITHOUT AN INSPECTION REPORT SYMBOL DOES NOT REQUIRE INSPECTION. IT MAY BE CONTROLLED ON THE INDIVIDUAL COMPONENT DRAWING.	TOTAL NO OF INSPECTIONS REQUIRED	NO MISSING SYMBOL NUMBER	
	30		
	LAST NO. USED		
	30		

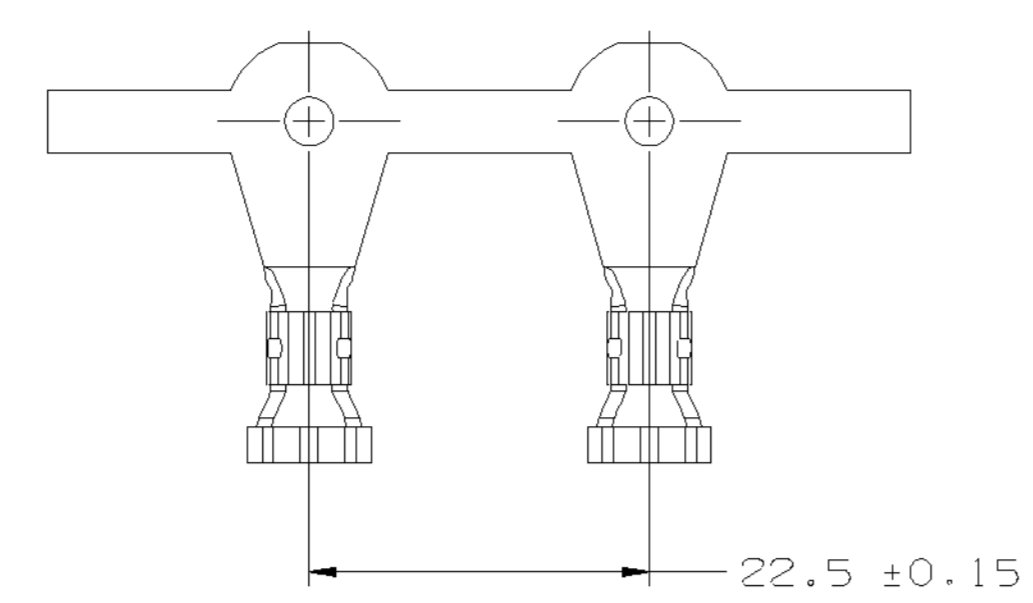
DWG STATUS				REVISION HISTORY				AUTH			
DATE	STG	REV	N/P	ZONE							
09AP01	R	001	-	-	ALL ACTIVE PARTS - REDRAWN TO PD				207950	JGR	EOV



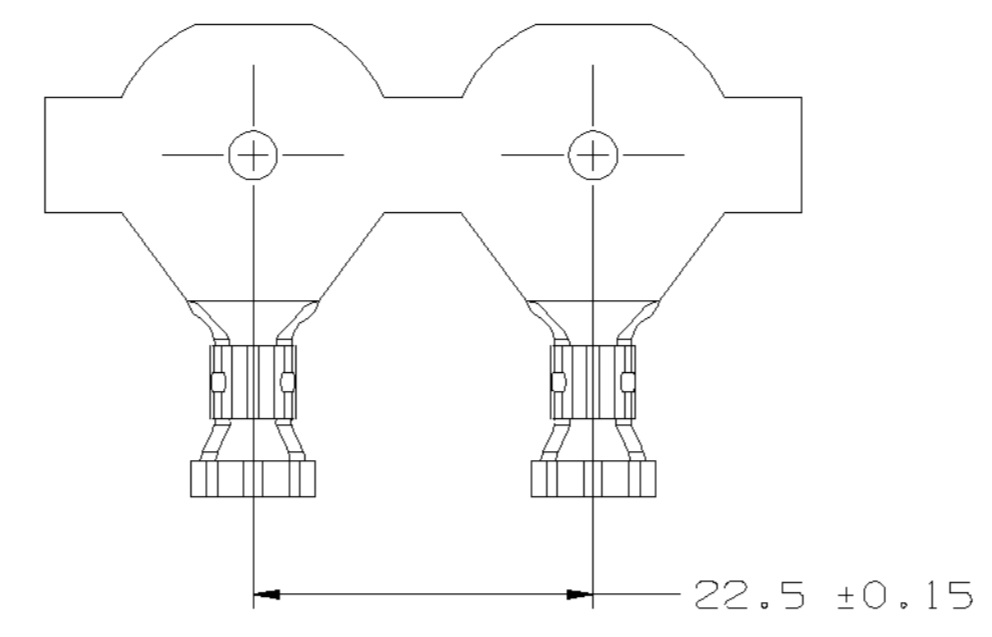
CARRIER STRIP VIEW
TYPE 101



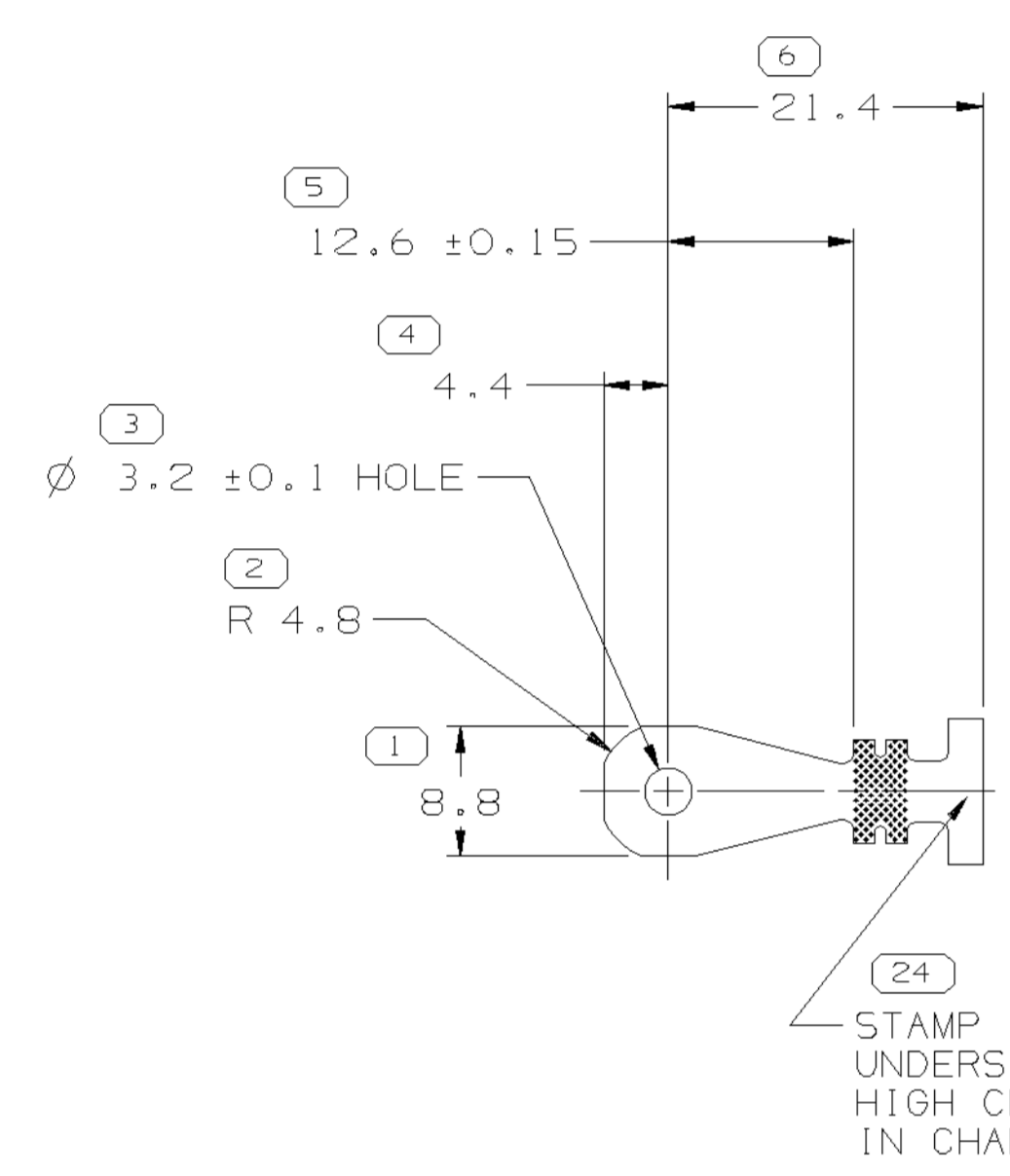
CARRIER STRIP VIEW
TYPE 102



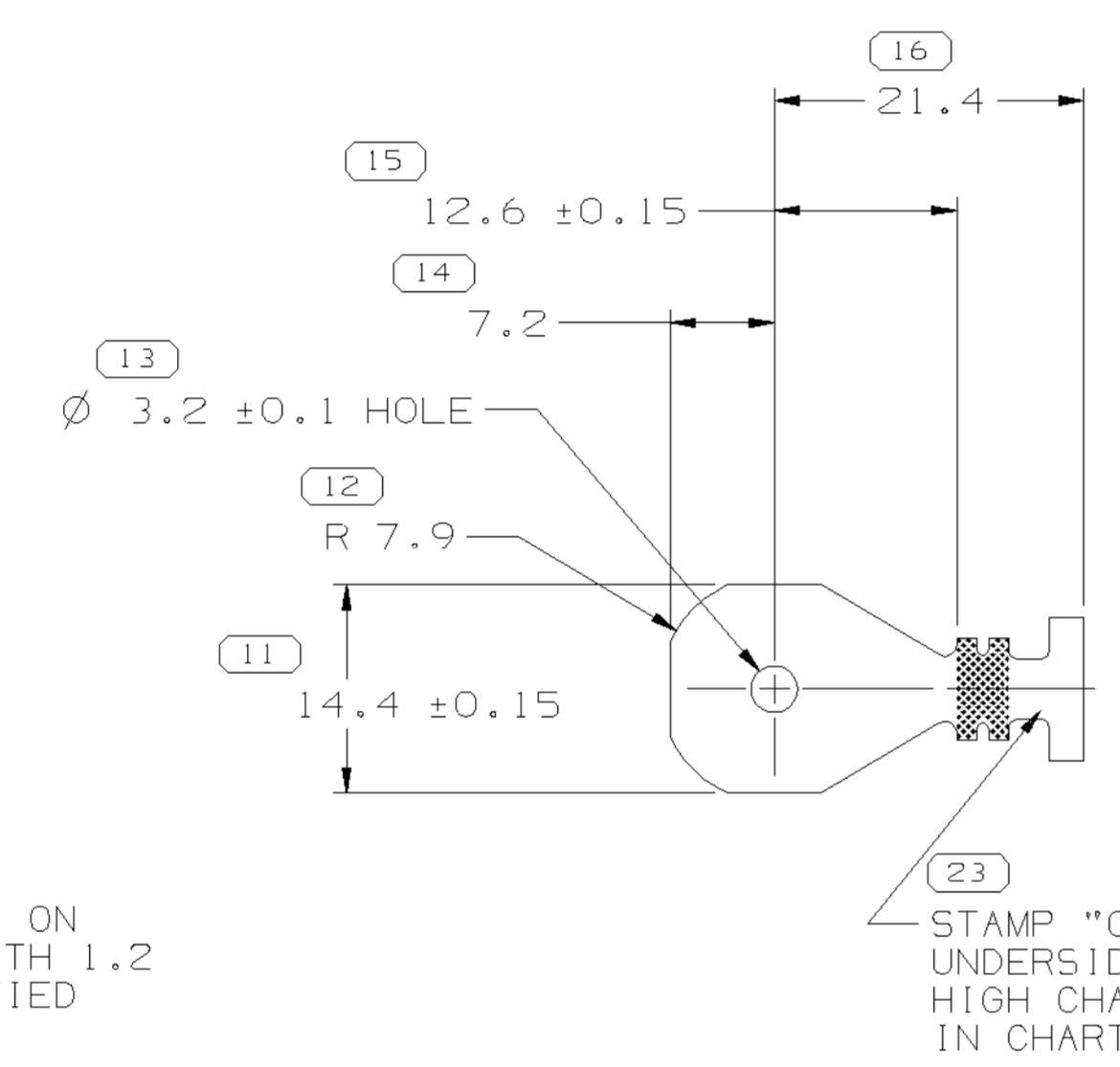
CARRIER STRIP VIEW
TYPE 103



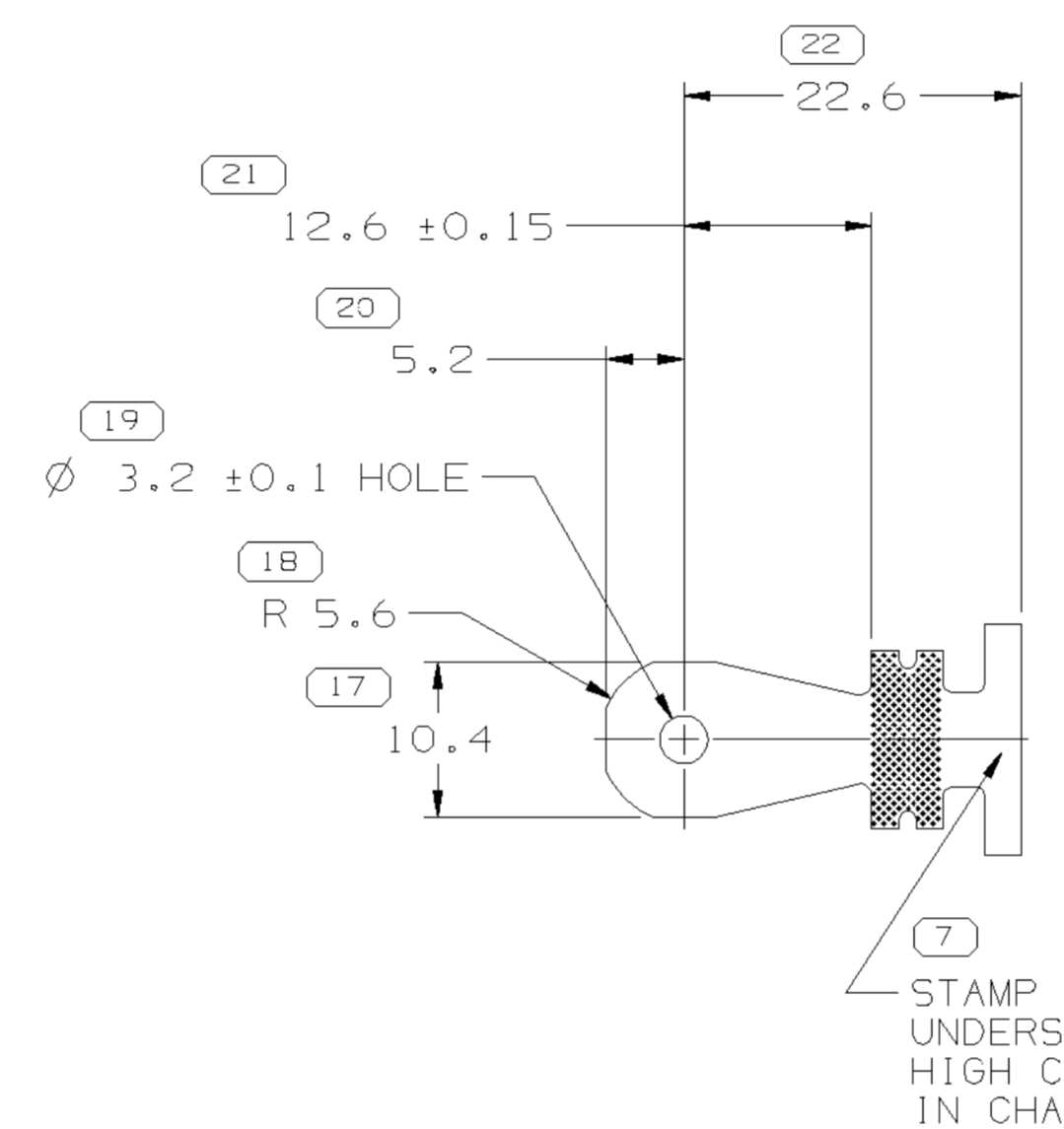
CARRIER STRIP VIEW
TYPE 104



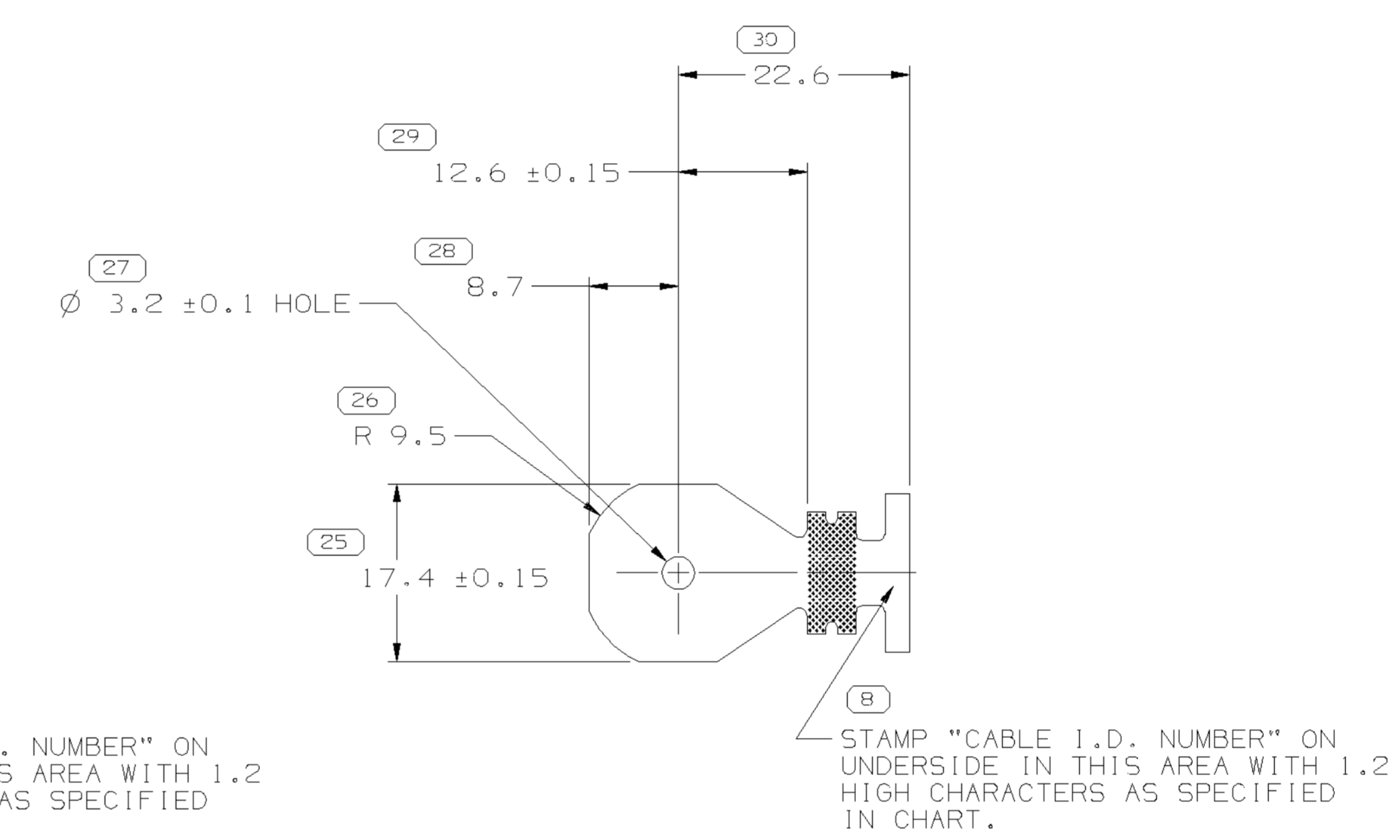
TYPE 101



TYPE 102



TYPE 103



TYPE 104

STAMP "CABLE I.D. NUMBER" ON UNDERSIDE IN THIS AREA WITH 1.2 HIGH CHARACTERS AS SPECIFIED IN CHART.

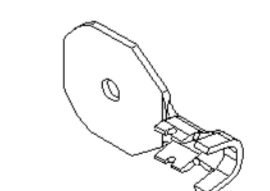
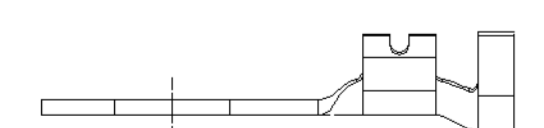
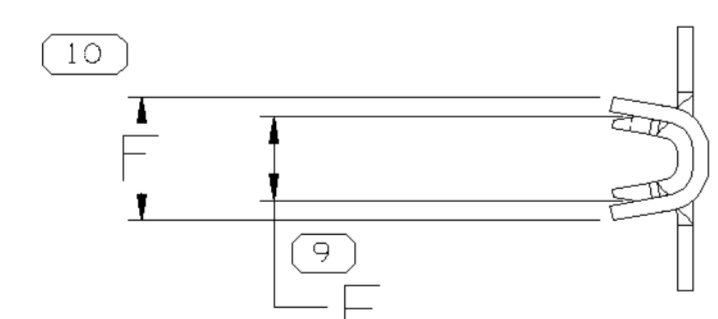
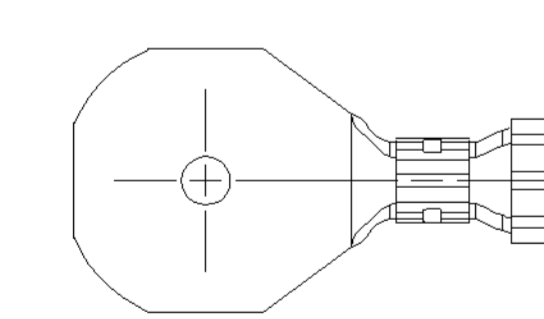
STAMP "CABLE I.D. NUMBER" ON UNDERSIDE IN THIS AREA WITH 1.2 HIGH CHARACTERS AS SPECIFIED IN CHART.

STAMP "CABLE I.D. NUMBER" ON UNDERSIDE IN THIS AREA WITH 1.2 HIGH CHARACTERS AS SPECIFIED IN CHART.

STAMP "CABLE I.D. NUMBER" ON UNDERSIDE IN THIS AREA WITH 1.2 HIGH CHARACTERS AS SPECIFIED IN CHART.

NOTES

- UNLESS OTHERWISE SPECIFIED AND/OR INDICATED: DIMENSIONS ARE TO FACE OF VIEW SHOWN AND AUTOMATICALLY ROUNDED BY COMPUTER FOR INSPECTION (SEE MATH MODEL FOR PRECISE DIMENSIONS). FOR ALL OTHER DIMENSIONS NOT SHOWN BUT REQUIRED FOR TOOL BUILD, SEE MATH MODEL FOR PRECISE TOOL PATH DATA.
- VISIBLE CRACKS ARE NOT PERMISSIBLE.



PART NO	STG	REV	N/P	STATUS	MAT'L	SIZE	SPEC	PART NO	STG	REV	N/P	STATUS	SPEC	TYPE	SIZE (MM²)	MAX DIA	I.D.	E ±0.4	F ±0.4			
12004431	R	CI	-		1.024	X	31.34	M1546284	12004439	R	CI	-		P1546284	104	8	-	5	6.46	9	6.7	10.2
12004430	R	C	-	OBS	1.024	X	27.29	M1546283	12004438	R	CI	-		P1546283	103	8	-	5	6.46	9	6.7	10.2
12004429	R	D1	-		1.024	X	31.34	S3614284	12004437	R	D1	-		P3614284	104	3	-	4.67	12	5.6	8.2	
12004428	R	D	-	OBS	1.024	X	27.79	S3614283	12004436	R	D1	-		P3614283	103	3	-	4.67	12	5.6	8.2	
12004427	R	E	-	OBS	0.724	X	28.58	M3614381	12004435	R	E1	-		P3614381	102	2	-	3.97	15	4.2	6	
12004426	R	E	-	OBS	0.724	X	25.81	M3614380	12004434	R	E1	-		P3614380	101	2	-	3.97	15	4.2	6	
12004425	R	E1	-		0.645	X	28.58	M3614379	12004433	R	E1	-		P3614379	102	0.8	-	0.5	3.13	19	3.6	5.1
12004424	R	E	-	OBS	0.645	X	25.81	M3614378	12004432	R	E1	-		P3614378	101	0.8	-	0.5	3.13	19	3.6	5.1

DELPHI Automotive Systems			
MATERIAL SPEC SEE CHART			
SUBSTANCES OF CONCERN AND RECYCLED CONTENT PER DELPHI-A 10949001 DISTR CODE			
PART DRAWING			
CODE NUMBER 6900	DWG DATE 17AU76	SCALE 2:1	D
OC SPEC	STYLE	VOLUME cm³	
PART GEOMETRY 3D SOLID	UNLESS OTHERWISE SPECIFIED: THIS DOCUMENT IS IN ACCORDANCE WITH ASME Y14.5M - 1994 AS AMENDED BY THE GM GLOBAL DIMENSIONING AND TOLERANCING ADDENDUM - 1997. ALL GEOMETRIC TOLERANCES AND RELATED DATUMS APPLY RFS. RULE #1 (PERFECT FORM AT MMC) DOES NOT APPLY WHEN RELATIONSHIP BETWEEN FEATURES IS ESTABLISHED BY ORIENTATION OR LOCATION TOLERANCES. SEPARATE POSITION CALLOUTS MAY BE GAGED SEPARATELY REGARDLESS OF DATUM REFERENCES.		
CHANGE RESTRICTED NO MANUAL CHANGES	UG		
COPY OF MATH DATA DO NOT SCALE	REFERENCE	DR	DATE
		APVD1 R.D. WALLACE	17AU76
		APVD2 T. MUDREY	20AU76
		APVD3 R.D. KEARNS	01OC76
		APVD4	
		APVD5	
METRIC UNLESS OTHERWISE SPECIFIED, ALL DIMENSIONS ARE IN MILLIMETERS	THIRD ANGLE PROJECTION	DRAWING NAME TERM RING STRGHT	
DIMENSIONAL RANGE (MM) CHART 6		SHEET NUMBER 1 OF 3	DRAWING NUMBER 12004423
FROM 10	TO 15		
TOLERANCE UNLESS OTHERWISE SPECIFIED	> 12	DWG STATUS	SIZE
±0.15	±0.3	R 001	A0
ANGULAR TOLERANCE ± 2°			