

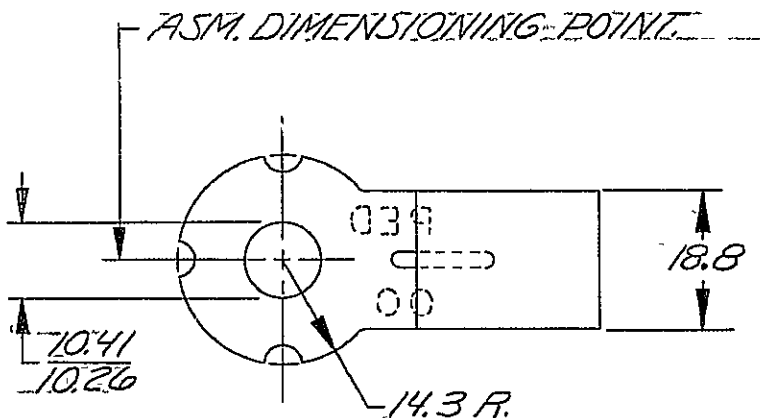
DO NOT SCALE

THIS DRAWING AND DESIGN HEREON CONSTITUTES A PROPRIETARY DESIGN OF PACKARD ELECTRIC DIVISION AND IS NOT TO BE DUPLICATED OR REPRODUCED WITHOUT AUTHORITY OF PACKARD ELECTRIC DIVISION

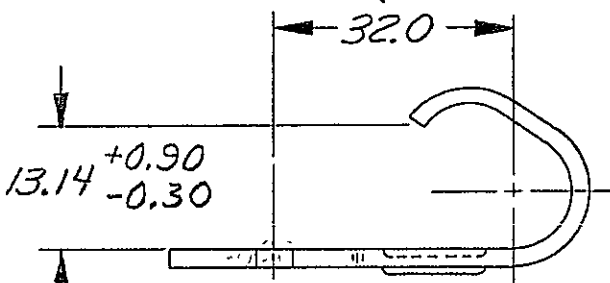
DRAWING NO.

1200 4781

DATE	SYM	REVISION RECORD	AUTH	DR.	CK.
9-4-75	A	REVISED			
2-5-76	B	REVISED			
11-18-76	C	REVISED			
1-24-77	-	PART NO. WAS EX-60974			
		RELEASED	64005	RJ	JM
3-28-77	D	REVISED	61780	EES	JM
6-27-77	-	13.14 ± 0.30 WAS 13.44/12.84	63020	JM	RJ



THIS DIM. TO BE HELD TO 32.0 ± 1.0 AFTER CRIMPING TO CABLE. (REQ'D. BECAUSE TERMS ARE MOLDED OVER).



C02D2131

NOTE - FOR 62 GA. CABLE

METRIC
DIMENSIONS ARE IN MILLIMETRES
UNLESS OTHERWISE SPECIFIED

CODE NO. 6901	TOLERANCE UNLESS OTHERWISE SPECIFIED DECIMAL: TWO PLACE ± 0.15 ONE PLACE ± 0.5	
QC		
DWG. DATE 8-8-73	SCALE NONE	DR. R.D. Wallace 1-24-77
EST. NO.	CK. J. Muehney	DATE 2-1-77
REFERENCE NO. 12004780 'D' SIZE	APPR. E. J. McDown	DATE 2-3-77
MATERIAL SPEC. 1.83 THK. SAE CA 210 BRASS		

NAME TERMINAL-RING SIDE
TYPE - BATTERY

PART NO. 1200 4781
OUTLINE DRAWING

SIZE A

PACKARD ELECTRIC

PACKARD ELECTRIC DIVISION
GENERAL MOTORS CORPORATION
WARREN, OHIO

ROUTING
62R
74R
330R
350R
1374R
PEB-A