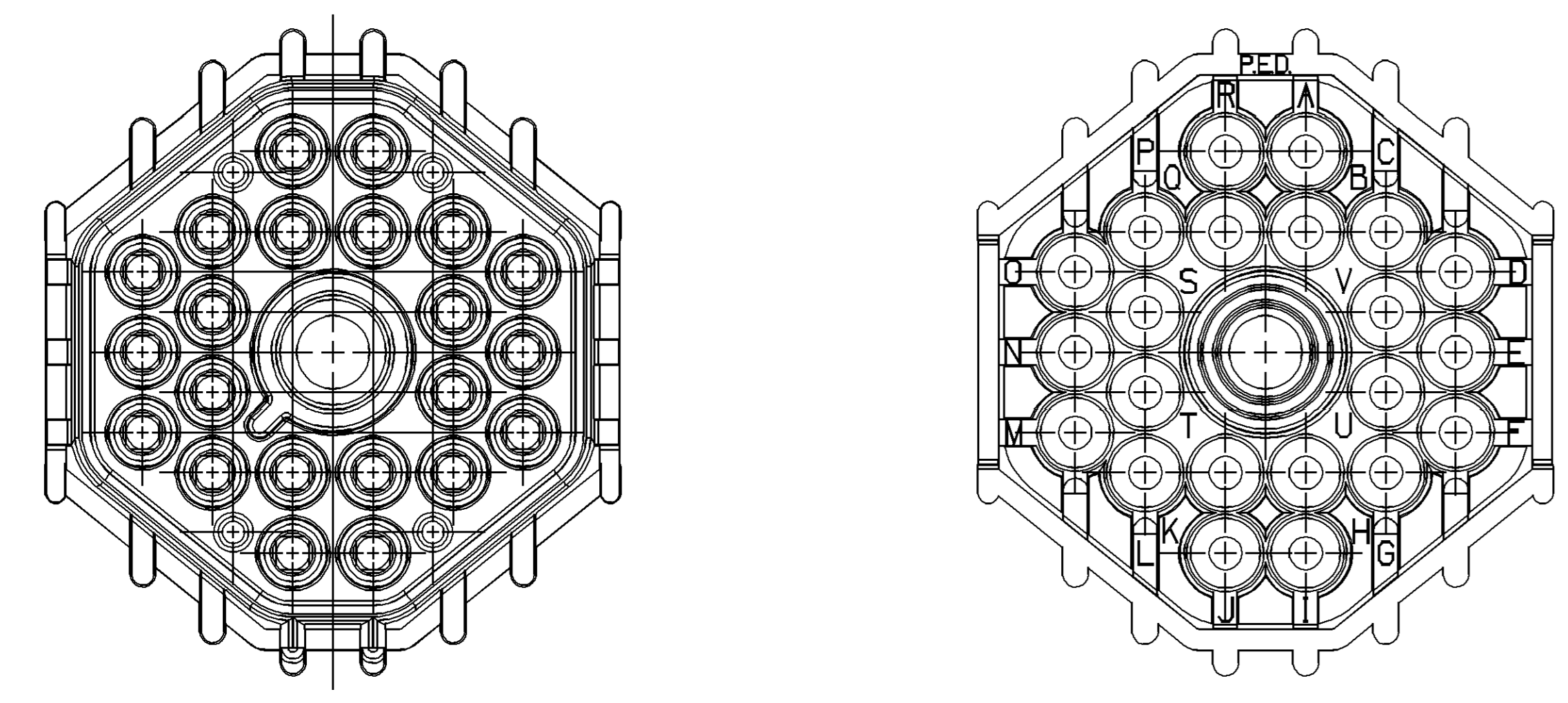
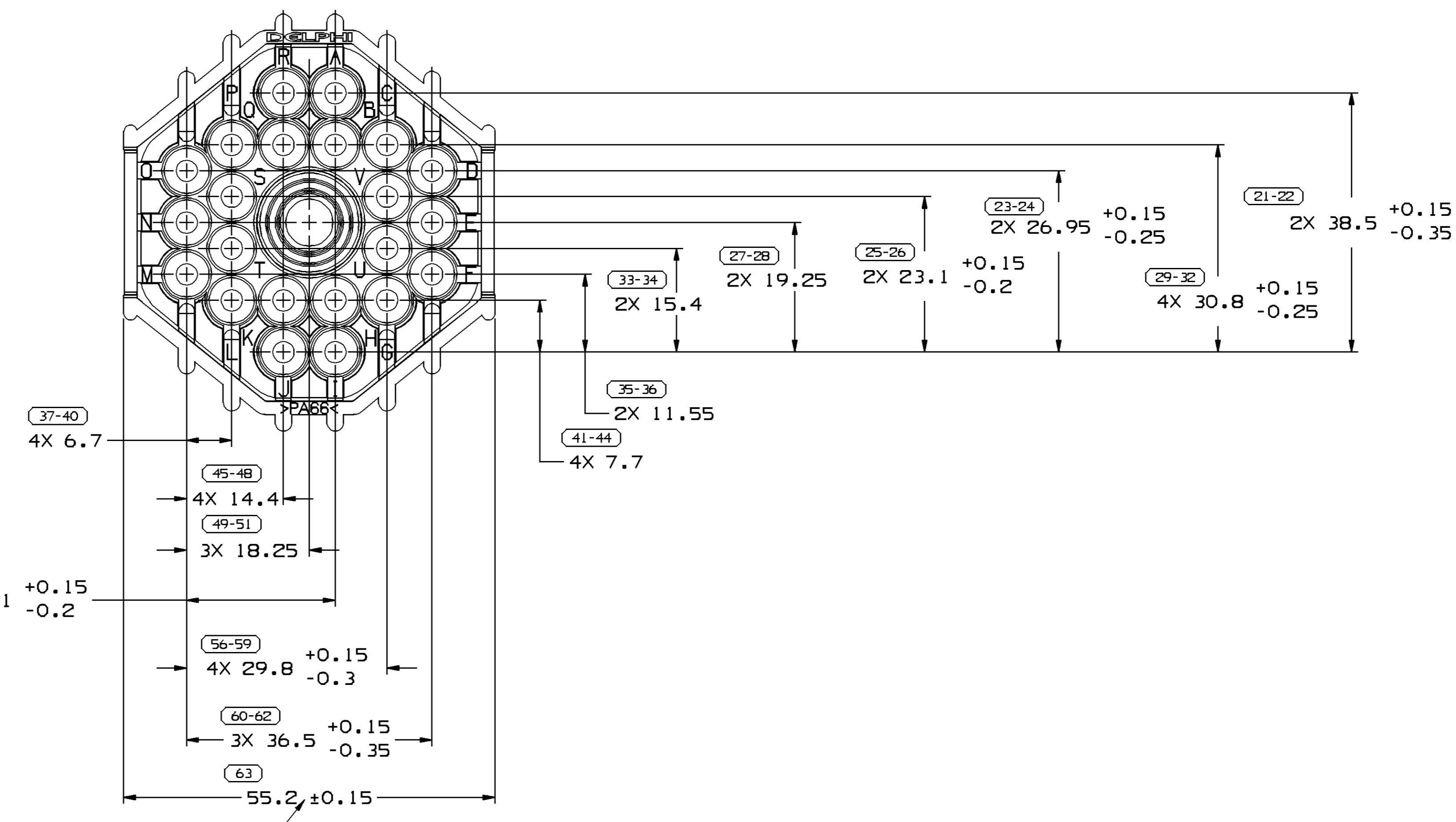
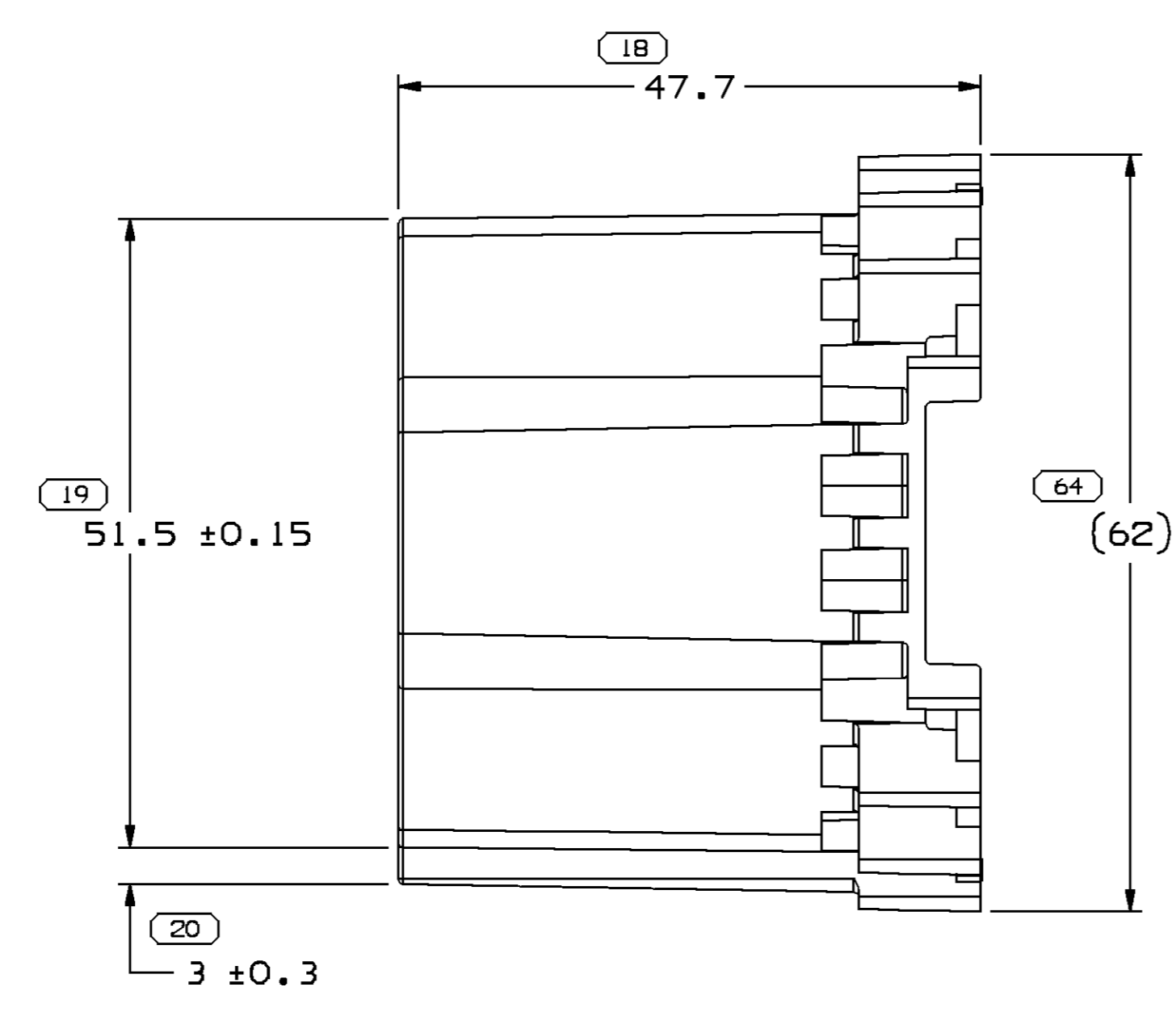
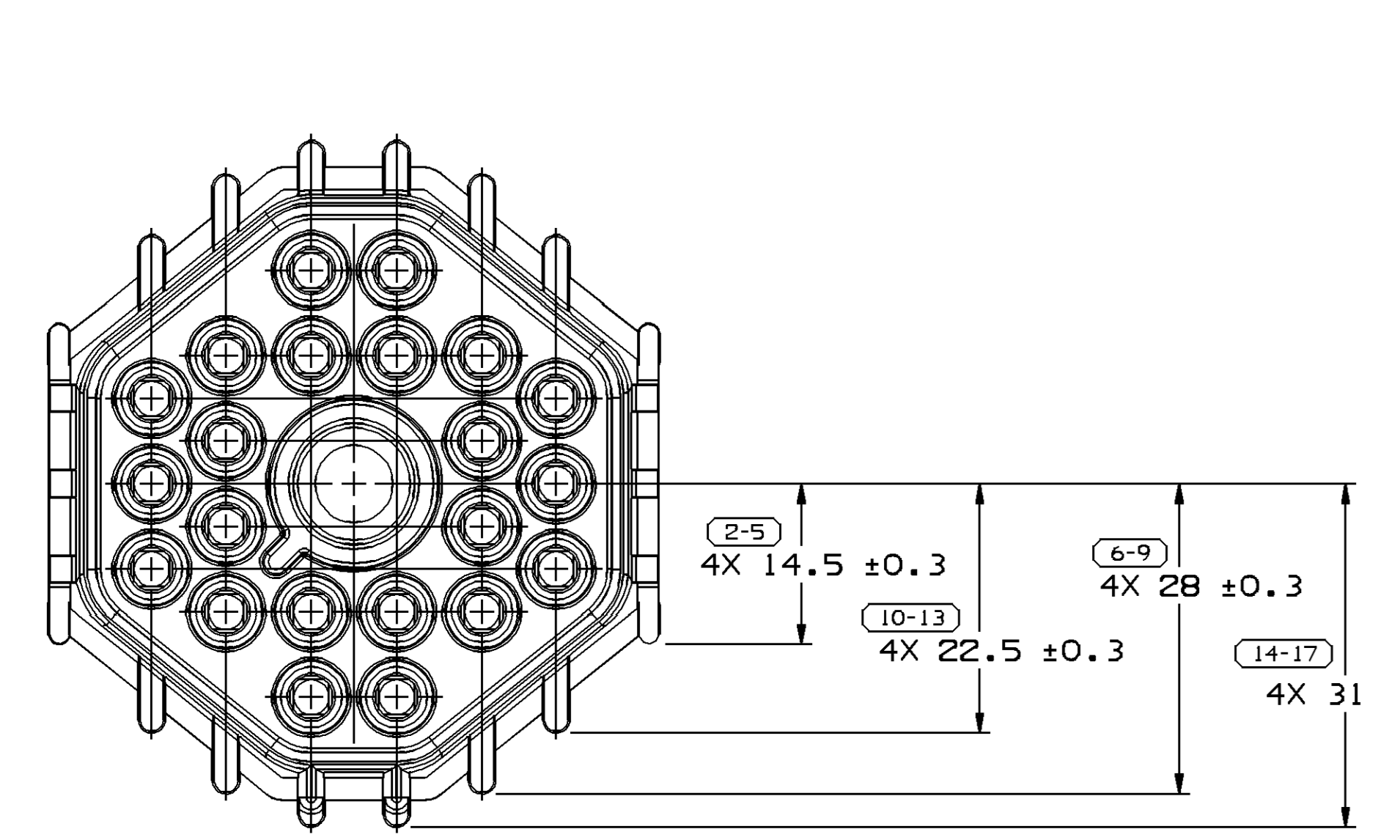
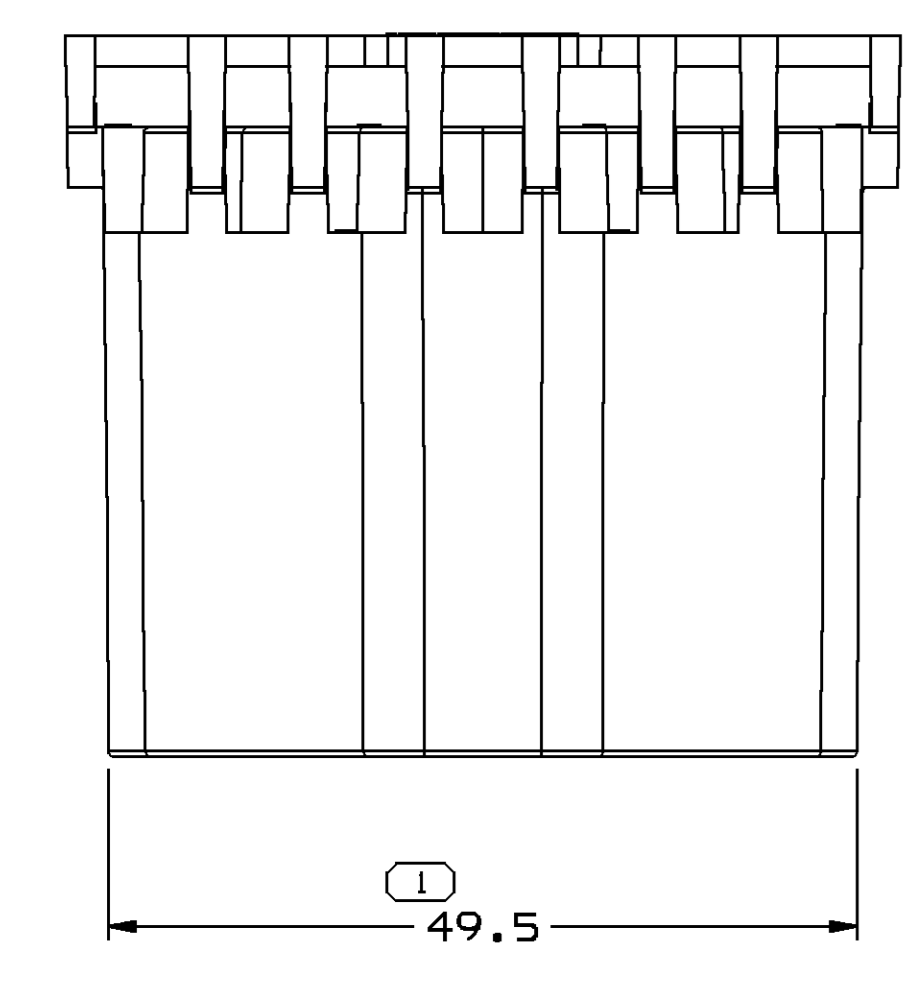


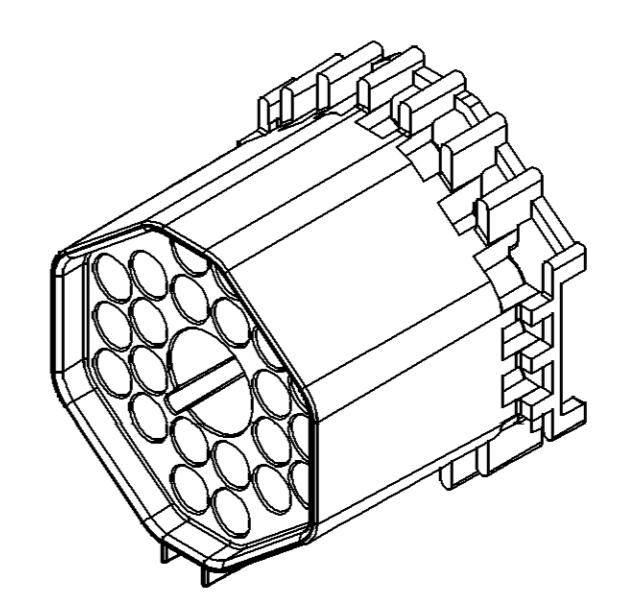
| SYMBOL DEFINITION | | | | MISSING NUMBERS | | DWG STATUS | | REVISION HISTORY | | AUTH | | DR | | AP/VD | |
|------------------------------|---------------------------------|---------------|--------|-----------------|-----|------------|-----|------------------|--|--------|-----|-----|-----|-------|----|
| THE NUMBER INSIDE THE SYMBOL | TOTAL NO. OF SYMBOLS ON DRAWING | LAST NO. USED | DATE | STG | REV | N/P | CHG | ZONE | DESCRIPTION | DATE | BY | CHK | NO | REV | NO |
| () | 25 | 65 | 05SE02 | R | 05 | - | - | - | CLEARED REV COL. ALL PARTS - ADDED NOTES (2 PAGES) AND REVISED CHART | 229903 | 06 | RH | ET | | |
| | | | 170C03 | R | 06 | - | - | - | REVISED TOLERANCE ON DIMS 25-26 | 247114 | MJM | MJM | TV | | |
| | | | 27DE06 | R | 07 | - | - | - | 12077377 - OBSOLETE | 288184 | RTV | EVV | 661 | | |



OPTIONAL CONSTRUCTION

(65) A 55.8 MAX PERMISSIBLE

- NOTES
- UNLESS OTHERWISE SPECIFIED AND/OR INDICATED:
DIMENSIONS ARE TO FACE OF VIEW SHOWN AND AUTOMATICALLY ROUNDED BY COMPUTER FOR INSPECTION (SEE MATH MODEL FOR PRECISE DIMENSIONS). FOR ALL OTHER DIMENSIONS NOT SHOWN BUT REQUIRED FOR TOOL BUILD, SEE MATH MODEL FOR PRECISE TOOL PATH DATA.
 - MATERIAL RECYCLING CODE PER ISO 11469. (2.31X(0.1)) RAISED CHARACTERS AS SHOWN TO BE LOCATED ON ANY EXTERIOR SURFACE. OPTIONAL CONSTRUCTION TO BE NO MATERIAL RECYCLING CODE.
 - THIS PART ACCEPTS THE FOLLOWING COMPONENTS OR EQUIVALENT:
TERMINAL 12033674
SECONDARY TERMINAL LOCK 12010852 (2 REQ'D)
CABLE SEAL 12015323
 - (2.31X(0.1)) RAISED DELPHI CORPORATE BRAND TO BE LOCATED ON ANY EXTERIOR SURFACE, PREFERABLY VISIBLE AT FINAL ASSEMBLY. OPTIONAL CONSTRUCTION TO BE "PED" OR NO LOGO.



| PART NO | REV | N/P | STATUS | MATERIAL SPECIFICATION AND COLOR | MATING CONNECTOR | ASSEMBLY NO | VOL CM³ |
|----------|-----|-----|----------|----------------------------------|------------------|-------------|---------|
| 12077377 | 03 | AC | OBSOLETE | M3592002 PA66 1M HS NAT | 12077374 | 1207737B | 45.53 |
| 12020181 | B | - | OBSOLETE | R0065644 PA6-BLU | 12020182 | 12020191 | 45.53 |
| 12015923 | 03 | AB | | M3592001 PA66 1M HS BLK | 12020185 | 12020005 | 45.53 |

| DIMENSIONAL RANGE (MM) | TOLERANCE |
|------------------------|-----------|
| FROM > 0 TO > 30 | ±0.15 |
| > 30 TO > 70 | ±0.2 |
| > 70 TO > 100 | ±0.3 |
| > 100 TO > 150 | ±0.4 |
| > 150 TO > 200 | ±0.5 |
| > 200 TO > 250 | ±0.6 |
| > 250 TO > 300 | ±0.8 |
| > 300 TO > 400 | ±1.0 |

DWG TYPE: PART DRAWING

STYLE: SEE CHART

DISTR CODE: D

UNLESS OTHERWISE SPECIFIED:
THIS DOCUMENT IS IN ACCORDANCE WITH ASME Y14.9M-1994 AS MODIFIED BY THE IN CHARGE, DIMENSIONING AND TOLERANCE PRACTICES (DTP). ALL DIMENSIONS UNLESS OTHERWISE SPECIFIED SHALL BE PERFORMED FROM THE MATED SURFACE UNLESS OTHERWISE SPECIFIED. DIMENSIONS NOT SHOWN BUT REQUIRED FOR TOOL BUILD, SEE MATH MODEL FOR PRECISE TOOL PATH DATA. DIMENSIONS ARE IN MILLIMETERS.

THIRD ANGLE PROJECTION

DO NOT SCALE

USE MATH DATA

DELPHI
DELPHI PACKARD ELECTRIC SYSTEMS
WARREN, OH

| DR | DATE |
|--------------------|--------|
| APV01 E. RODRIGUEZ | 12AU99 |
| APV02 G. MACIAS | 12AU99 |
| APV03 O. GALLEGOS | 13SE99 |
| APV04 | |

MATERIAL: SUBSTANCES OF CONCERN AND RECYCLED CONTENT PER DELPHI 10949001

SEE CHART

DRAWING NAME: TAXI CONN M W/P SHD SLD

DRAWING NUMBER: 12020207

SCALE: 2:1

FRAME NO: 1 OF 1

SHEET NO: 1 OF 1

REV: R

N/P: 07