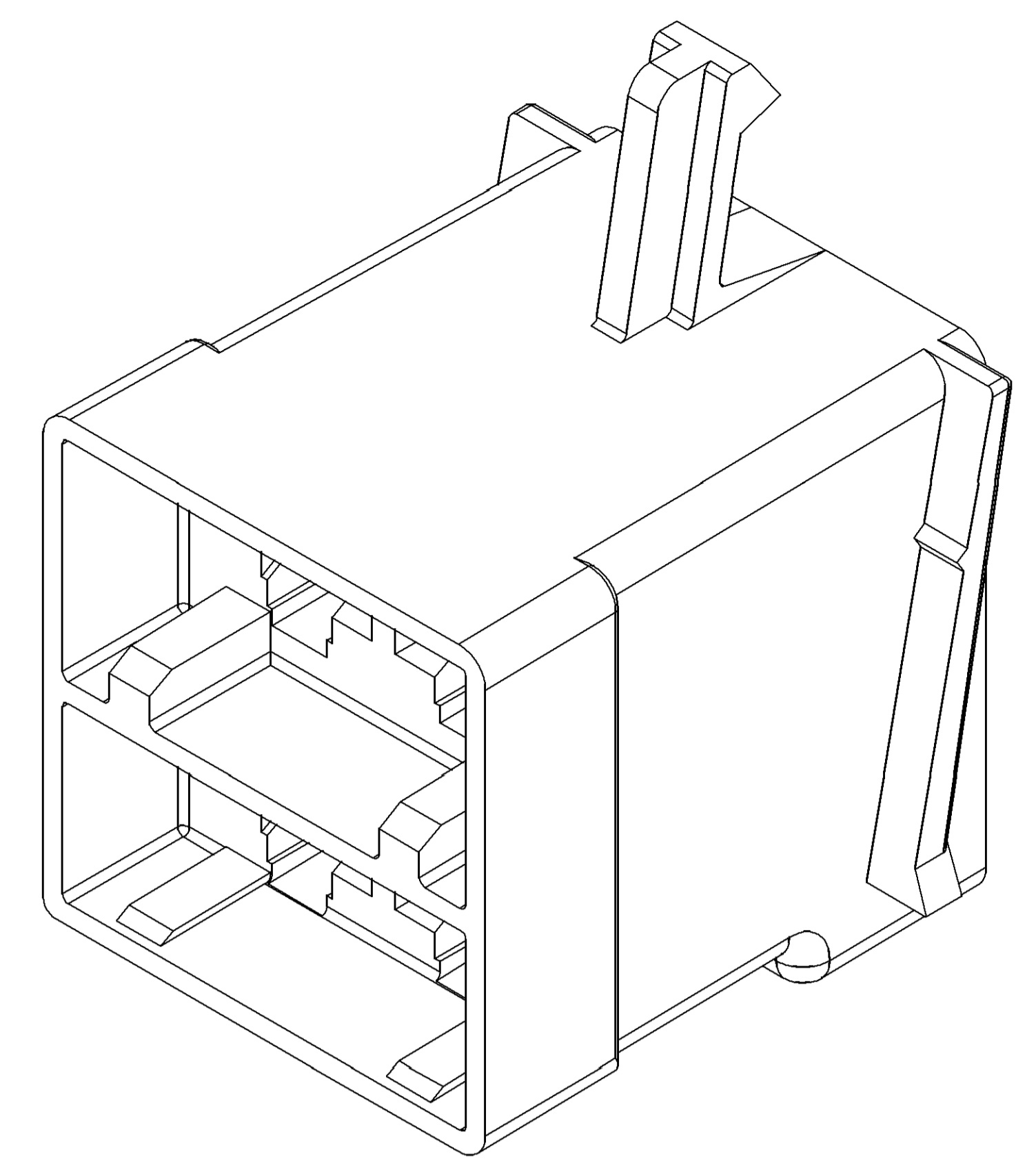
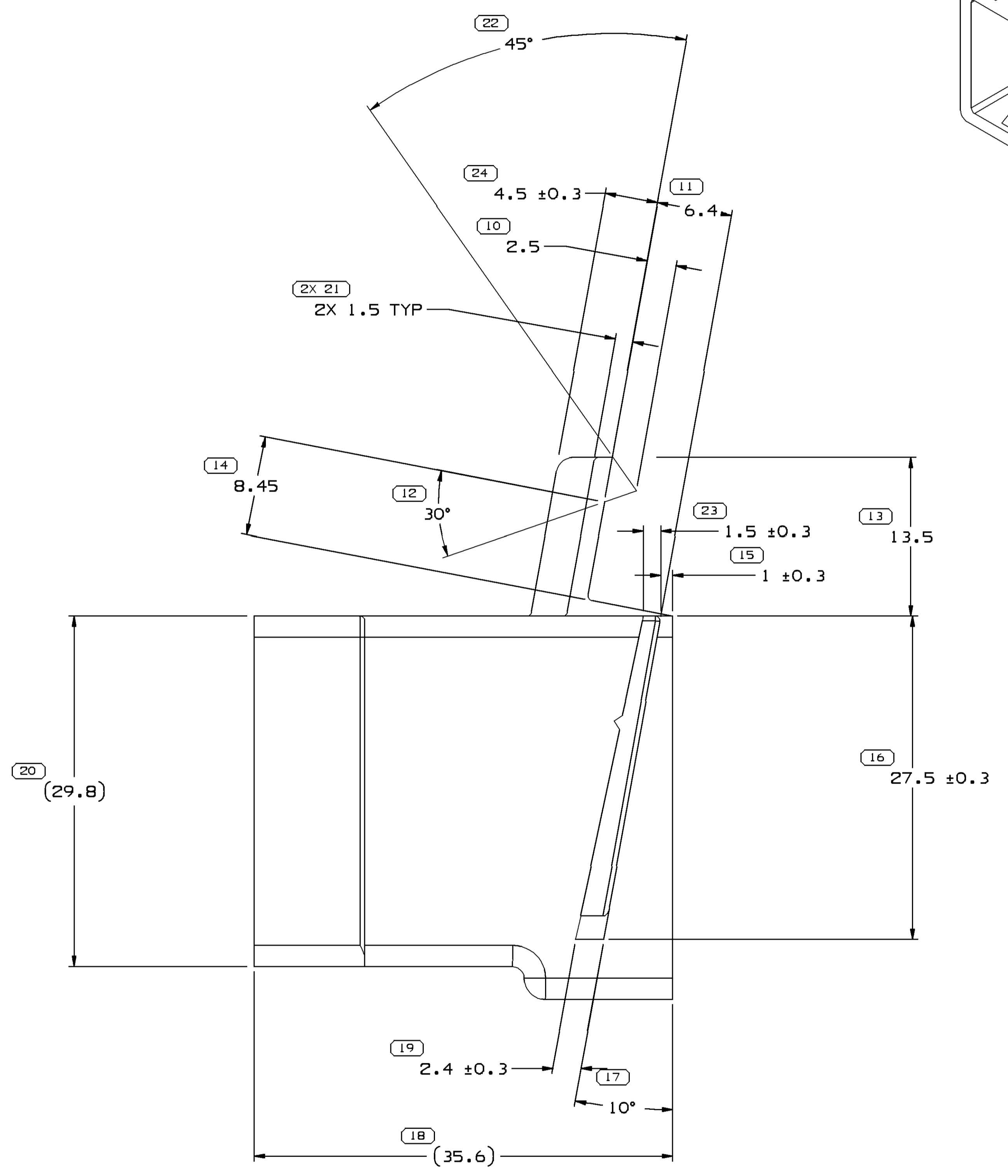
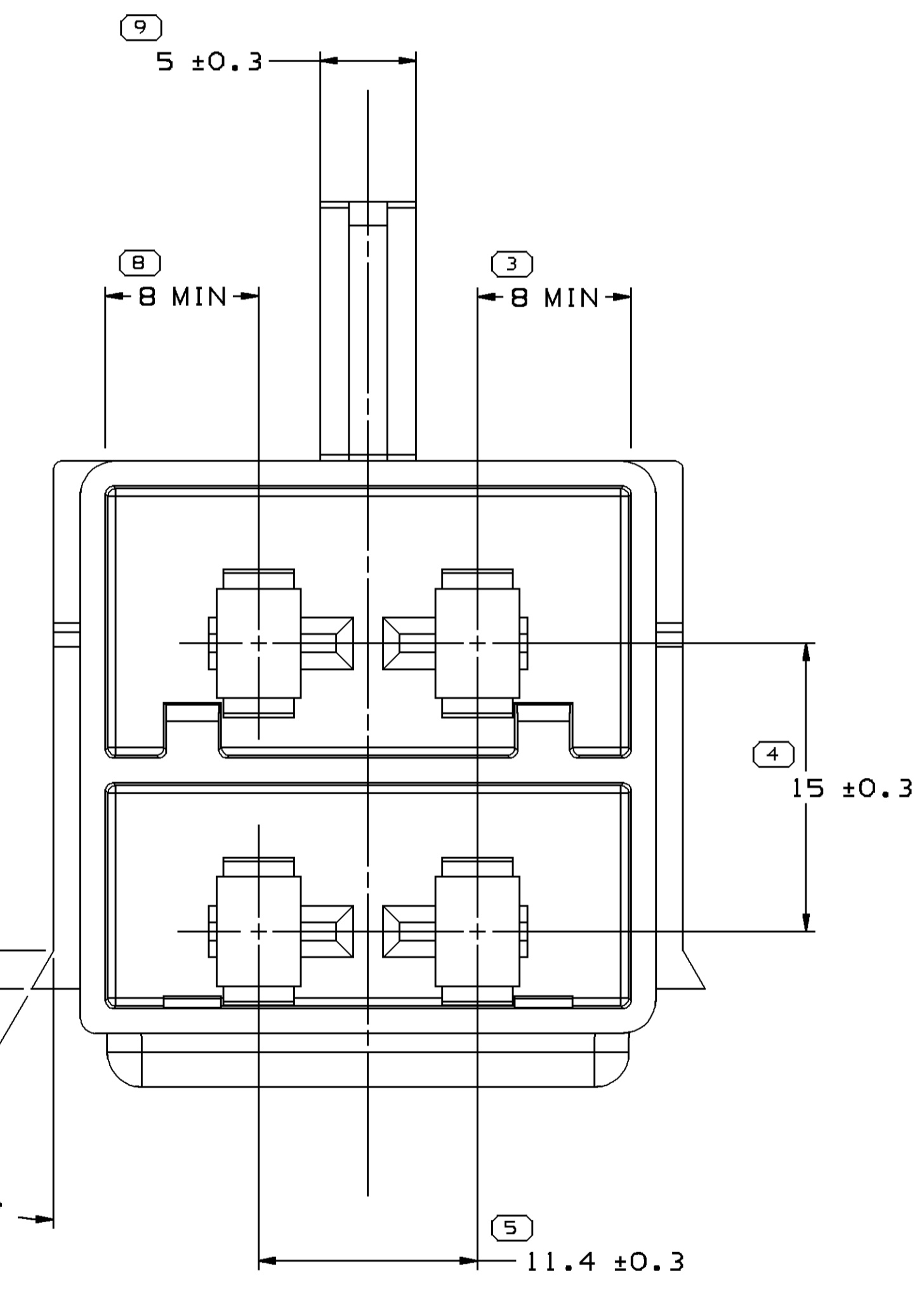
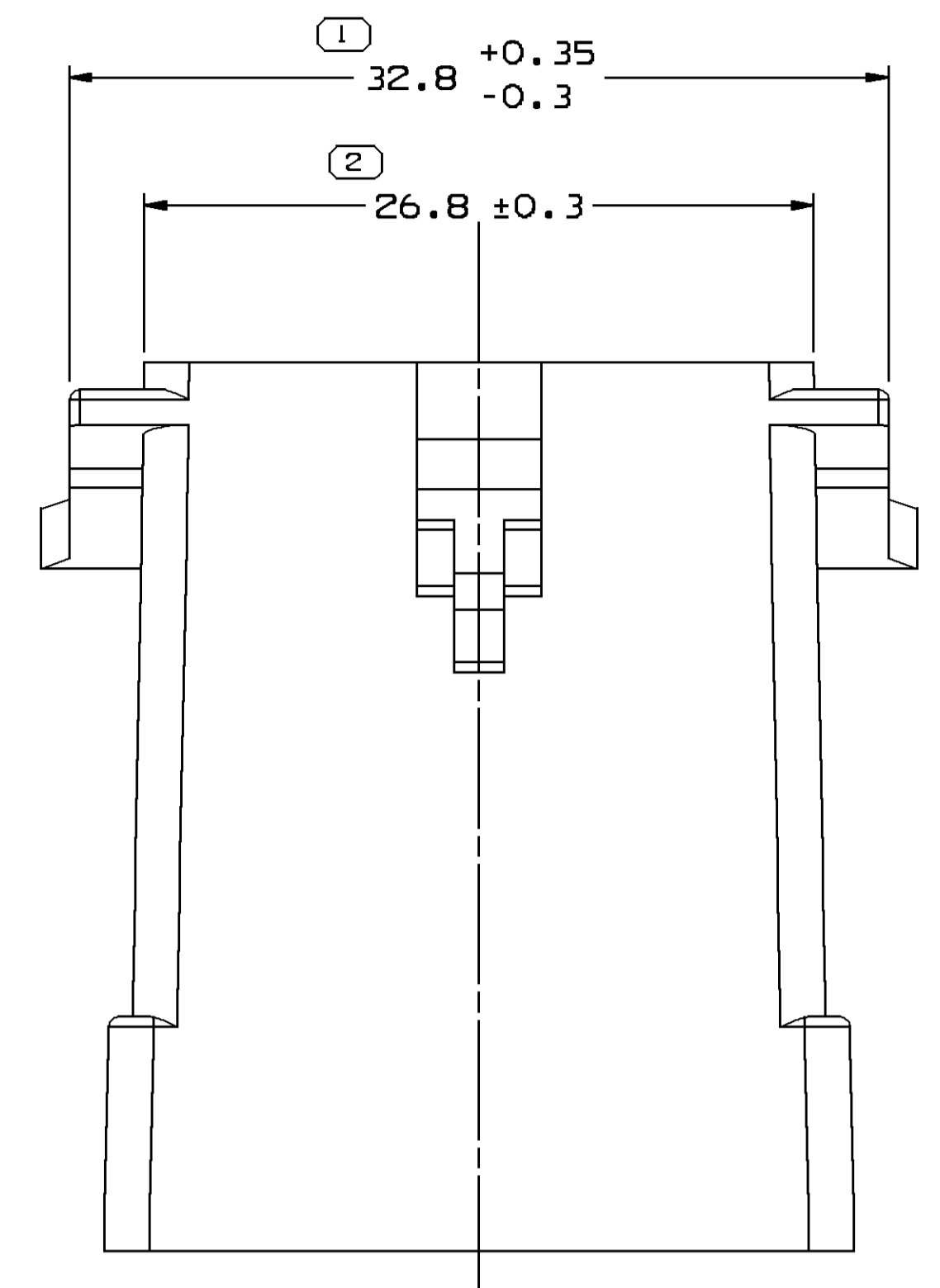


SYMBOL DEFINITION		TOTAL NO OF INSPECTIONS REQUIRED	25
A DIMENSION WITHOUT AN INSPECTION REPORT SYMBOL DOES NOT REQUIRE INSPECTION. IT MAY BE CONTROLLED ON THE INDIVIDUAL COMPONENT DRAWING.		LAST NO. USED	24

MISSING SYMBOLS				NO MISSING SYMBOL NUMBER	
DATE	STG	REV	N/P	CHG	ZONE
10FEB1	R	-	-	-	-
09MYB4	R	-	-	-	-
26JNB6	R	C	-	-	-
12NOB6	R	D	-	-	-
05JAB7	R	-	-	-	-
22OCB7	R	-	-	-	-
01AUB8	R	D3	-	-	-

REVISION HISTORY		AUTH	DR	AP/VD
OUTLINE DWG. ISSUED TO REV. "B"			CH	DR
ADDED NOTES #2		90708	DW	DW
REVISED RAIL		107020	AS	RS
REVISED LATCH ARM & RAILS & 32.80±0.35/-0.30 DIM WAS 32.8		109925	RS	RS
ADDED NOTES #3, #4, & #5		110957	AS	JM
DIM 35.6 REF WAS 3.56 REF.		116516	DK	EM
REDRAWN TO PD AND UPDATED MAT'L CALLOUT		405623	EBR	BLG



NOTES

- UNLESS OTHERWISE SPECIFIED AND/OR INDICATED:
DIMENSIONS ARE TO FACE OF VIEW SHOWN AND AUTOMATICALLY ROUNDED BY COMPUTER FOR INSPECTION (SEE MATH MODEL FOR PRECISE DIMENSIONS). FOR ALL OTHER DIMENSIONS NOT SHOWN BUT REQUIRED FOR TOOL BUILD, SEE MATH MODEL FOR PRECISE TOOL PATH DATA.
- MATERIAL RECYCLING CODE PER ISO 11469. (2,3)X(0.1) CHARACTERS AS SHOWN TO BE LOCATED ON ANY EXTERIOR SURFACE. OPTIONAL CONSTRUCTION TO BE NO MATERIAL RECYCLING CODE.
- THIS PRODUCT IS NOT CATEGORIZED AS AN APPEARANCE ITEM, MINOR IMPERFECTIONS INCLUDING, BUT NOT LIMITED TO, FLOW MARKS, COLOR BLEMISHES, GATE VESTIGE, AND SOFT FLASH THAT DO NOT AFFECT THE FIT, FORM, OR FUNCTION OF THE PART ARE PERMISSIBLE PER NAP 4.10-18.
- FOR APPLICATION DATA SEE THE APPLICATION DRAWING.
- (2,3)X(0.1) DELPHI CORPORATE BRAND TO BE LOCATED ON ANY EXTERIOR SURFACE, PREFERABLY VISIBLE AT FINAL ASSEMBLY. OPTIONAL CONSTRUCTION FOR EXISTING TOOLING MAY BE "PED" OR NO LOGO.

DIMENSIONAL RANGE (MM)		SHORT ET
FROM	> 0	> 30
TO	> 30	> 100
	> 100	> 150
	> 150	> 200
	> 200	> 250
	> 250	> 300
	> 300	> 400
TOLERANCE UNLESS OTHERWISE SPECIFIED		
	±0.15	±0.2
	±0.3	±0.4
	±0.5	±0.6
	±0.8	±1
	±1.2	±1.6
ANGULAR TOLERANCE 30°		

PART DRAWING	
STYLE	
VOLUME (QTY)	13,270
DISTR CODE	D
UNLESS OTHERWISE SPECIFIED	
THIS DOCUMENT IS IN ACCORDANCE WITH ASME Y14.5M-1994 AS MODIFIED BY THE IN-SUPPLY DIMENSIONING AND TOLERANCE ADDENDUM-2001. SEPARATE WRITINGS OR FEATURES MAY BE BASED SEPARATELY PER POLICE OF DATUM REFERENCES.	
ALL DIMENSIONS ARE IN MILLIMETERS	
THIRD ANGLE PROJECTION	DO NOT SCALE
USE MATH DATA	

DELPHI	
DELPHI PACKARD ELECTRICAL/ELECTRONIC ARCHITECTURE	
NAPER, OH	
DR	DATE
APV01 CURT HARVEY	10FEB1
APV02 D.E. DHIRY	14FEB1
APV03 R.E. DIELLO	14FEB1
APV04	
APV05	
SUBSTANCES OF CONCERN AND RECYCLED CONTENT PER DELPHI 10949001	
MATERIAL: POLYAMIDE COMPOUND BLACK	
DRAWING NAME	
CONN 4 F PAC/ON 111	
DRAWING NUMBER	
12015981	
SIZE	SCALE
A0	4:1
SHEET NO	FRM NO
1 OF 1	1 OF 1
REV	N/P
R	D3