

D

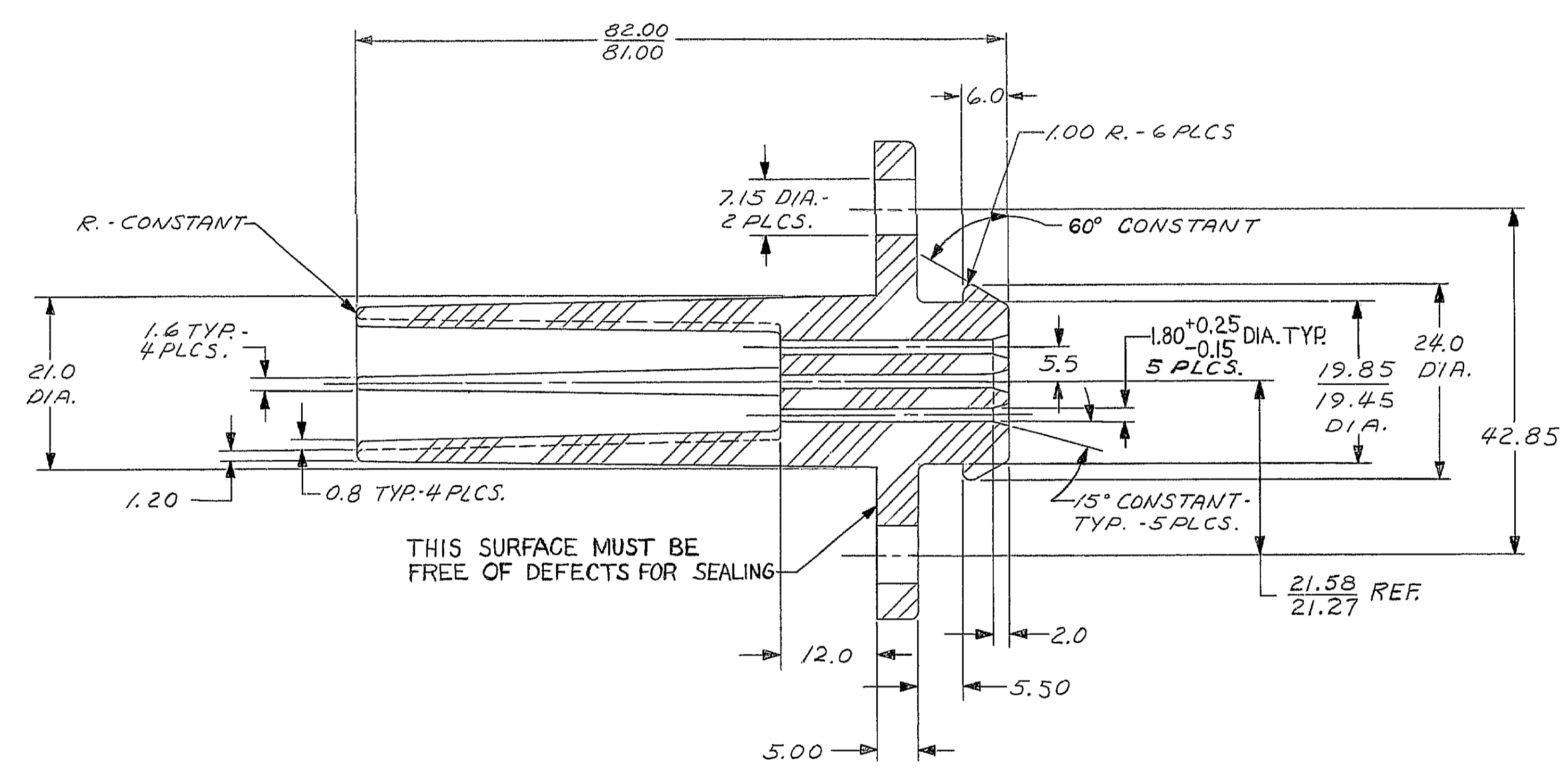
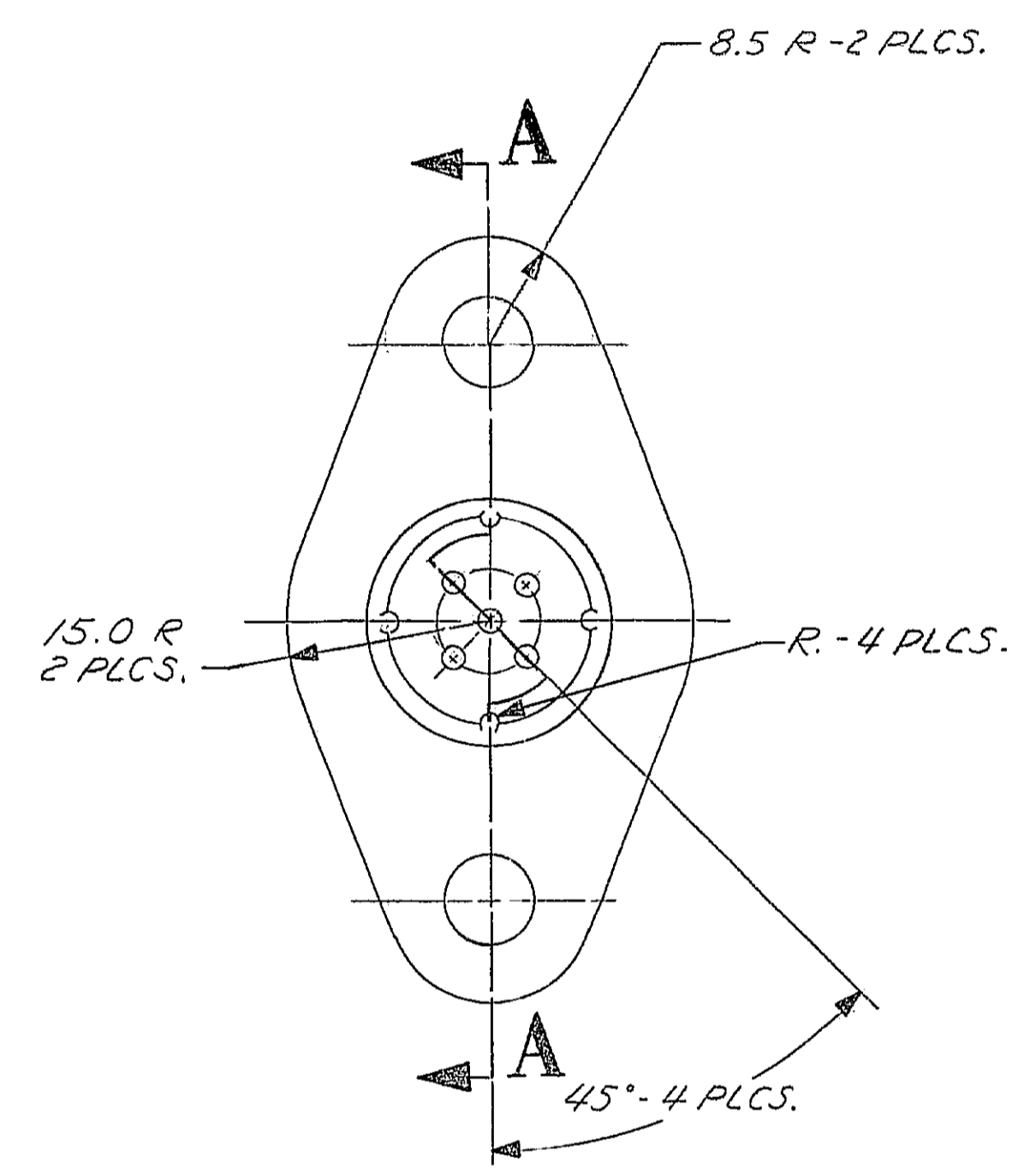
THIS DRAWING AND DESIGN HEREON CONSTITUTE A PROPRIETARY DESIGN OF PACKARD ELECTRIC DIVISION AND IS NOT TO BE DUPLICATED OR REPRODUCED WITHOUT AUTHORITY OF PACKARD ELECTRIC DIVISION.

DO NOT SCALE

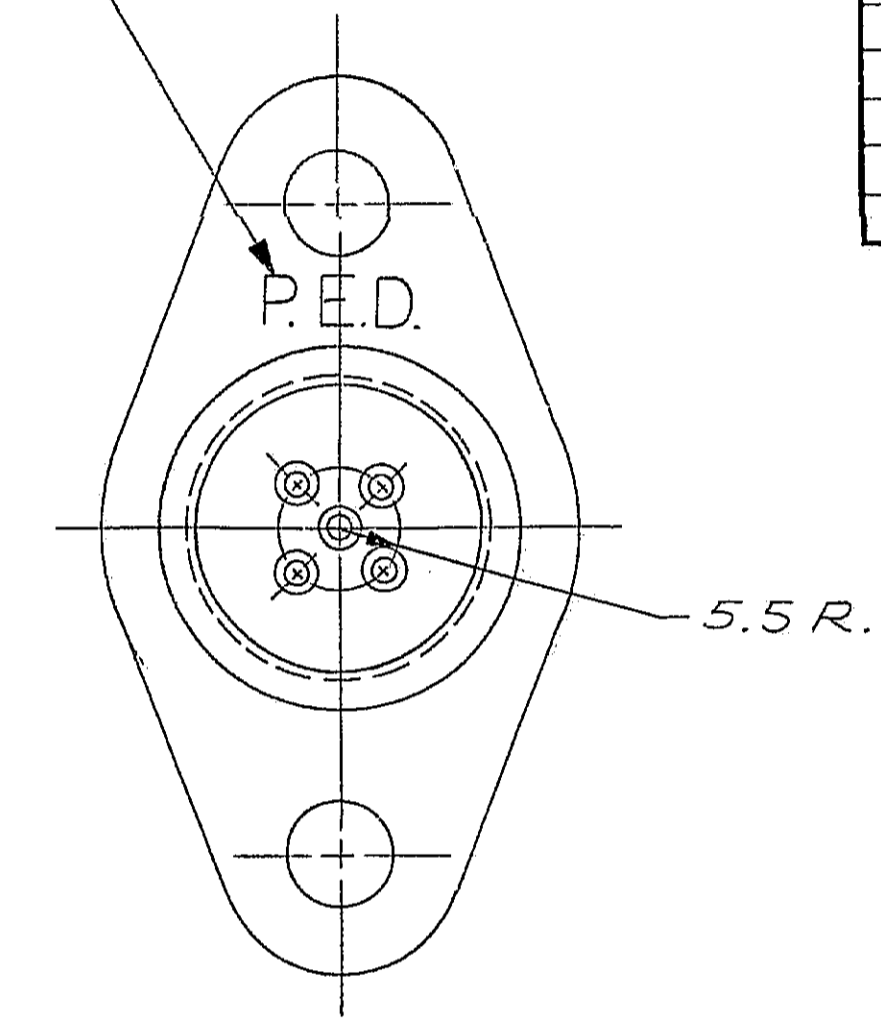
DRAWING NO. 1203 4226

DRAWING NO. 1203 4226

DATE	SYM.	REVISION RECORD	AUTH	DR.	CK.
24AU82	A	PART NO. WAS EX-72727 & RELEASED	B2005	RK	BT
29MR83	-	ADDED SEALING NOTE, 60° CONSTANT WAS 30° CONSTANT; 1.80+0.25-0.15 DIA. WAS 1.80 DIA.	84369	PM	FM
21JN93	A1	REVISED MAT'L SPEC'ING REMOVED "PATENT PENDING"	153841	BJ	SL
07MR95	A2	REVISED MAT'L SPEC	163817	FH	FH
04SE06	A3	OBSOLETE	284208	CC	JVM
28NO06	A4	REINSTATED	286980	JPH	MRF
02JA07	A5	REMOVED ASTM NOTE AND UPDATED MAT'L SPEC	288262	AC	FR
09JA07	A6	MAT'L SPEC WAS M4990002	400058	JTZ	FRG



2.3 MIN. X 0.1 MIN. RAISED LETTERS AS SHOWN.



SECTION A-A

METRIC DIMENSIONS ARE IN MILLIMETRES UNLESS OTHERWISE SPECIFIED

- NOTES — 1. ALL RADII 0.40, UNLESS OTHERWISE SPECIFIED.
 2. 1° DRAFT ON ALL OUTSIDE AND INSIDE SURFACES, UNLESS OTHERWISE SPECIFIED.

P. N. C. CODE		C04D1629	
CODE NO. 6901	TOLERANCE UNLESS OTHERWISE SPECIFIED DECIMAL: ONE PLACE ± 0.3 TWO PLACES ± 0.15 ANGULAR ± 2°		
QC-R-4006	SCALE 2:1	DR. <i>[Signature]</i> RK	DATE 24AU82
DRG. DATE 0C2681	EST. NO.	CK. <i>[Signature]</i>	DATE 31AU82
REFERENCE NO.	APPR. <i>[Signature]</i>	DATE 02SE82	DATE 02SE82
MATERIAL SPEC. M4990025			
NAME GROM STRAIN RLF			
THIRD ANGLE PROJECTION	PART NO. 1203 4226	SIZE D	