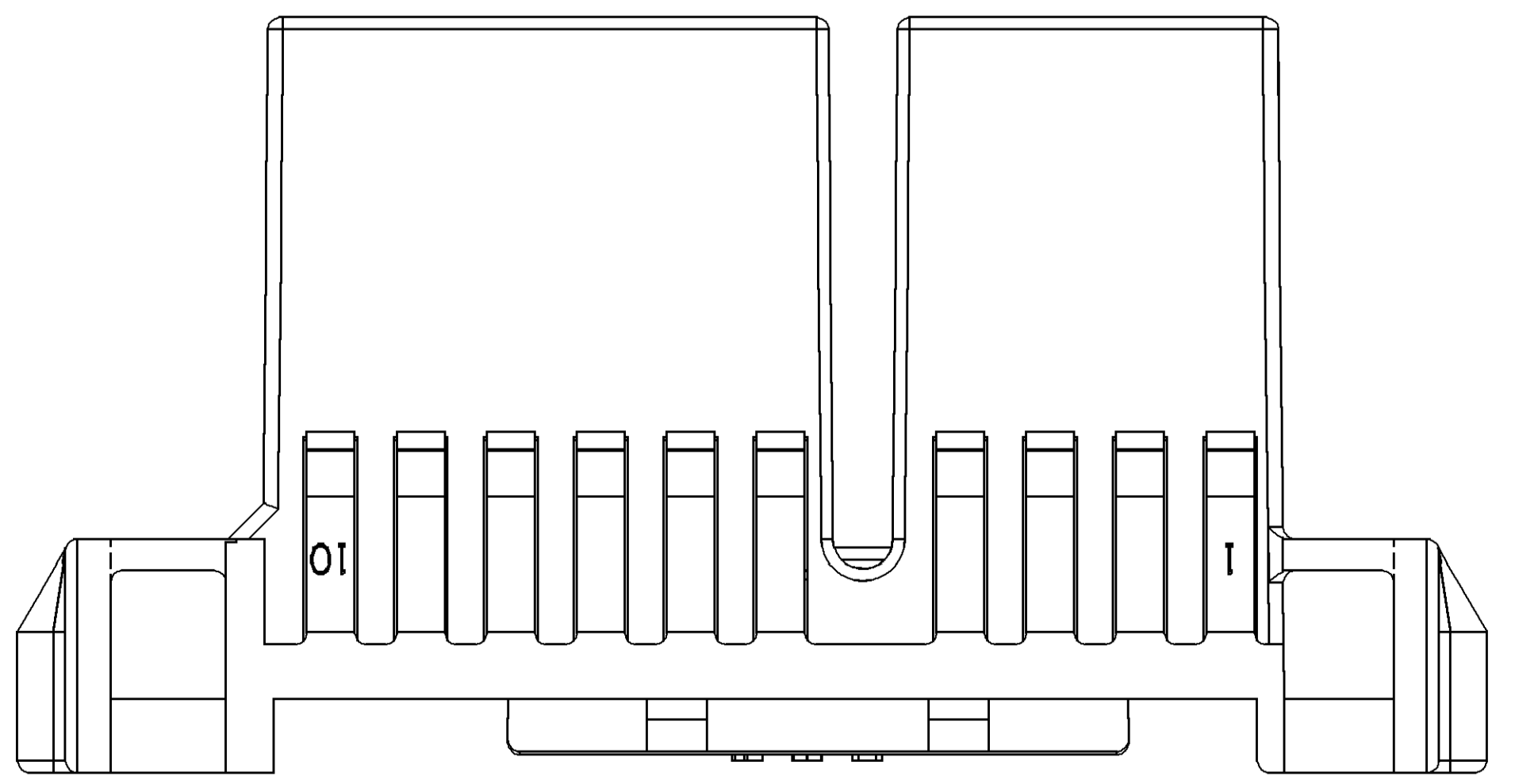
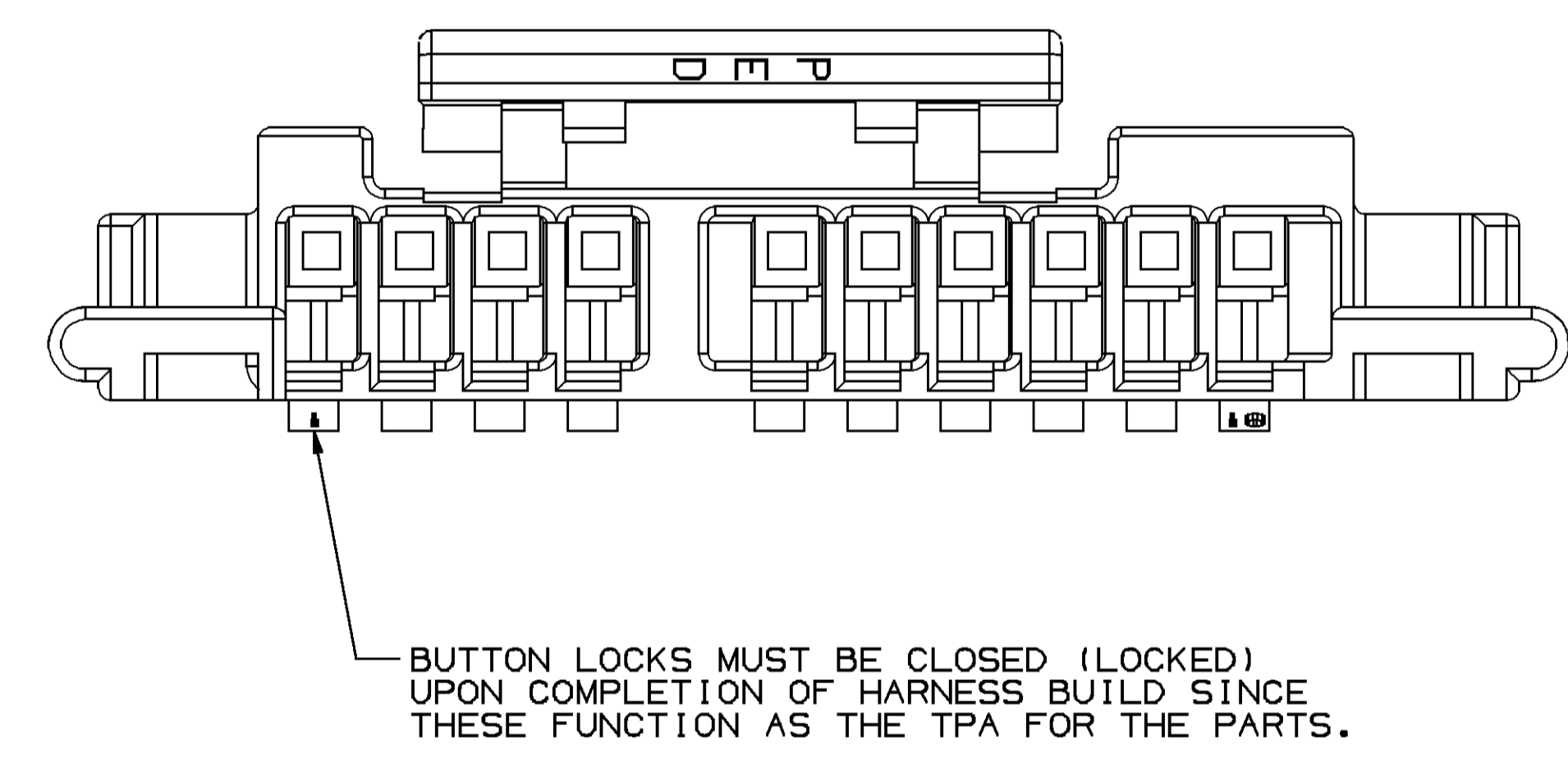
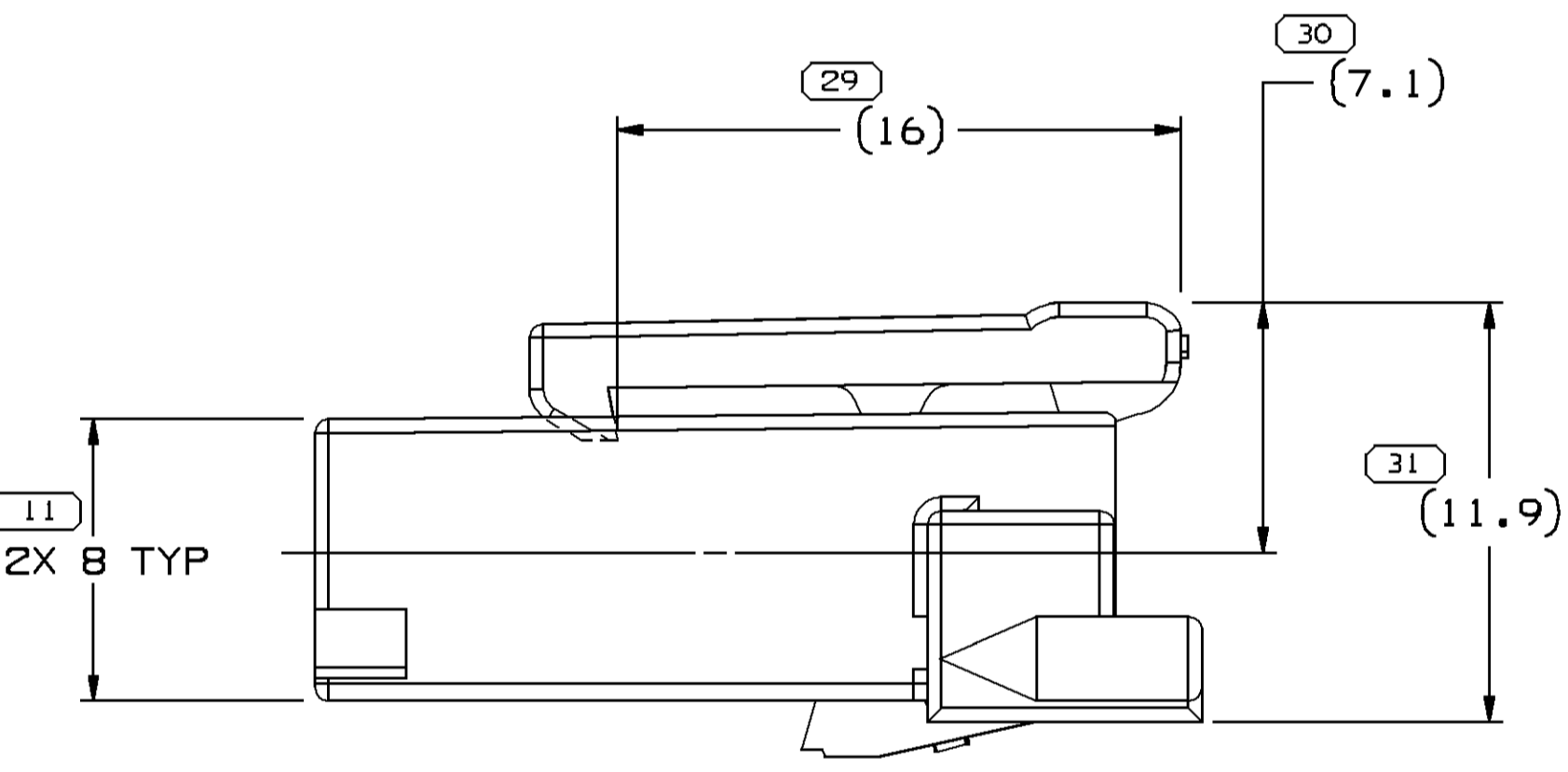
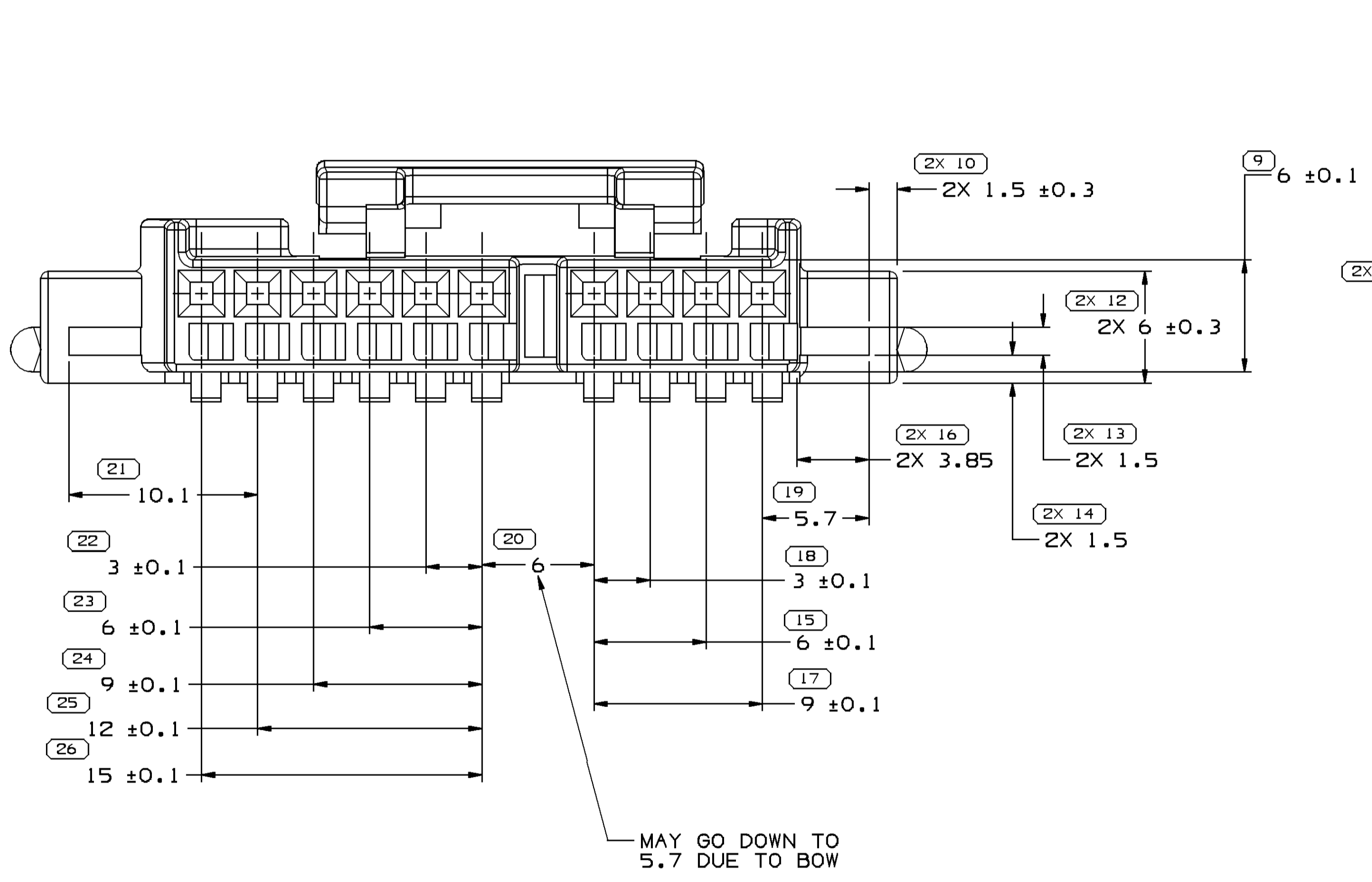
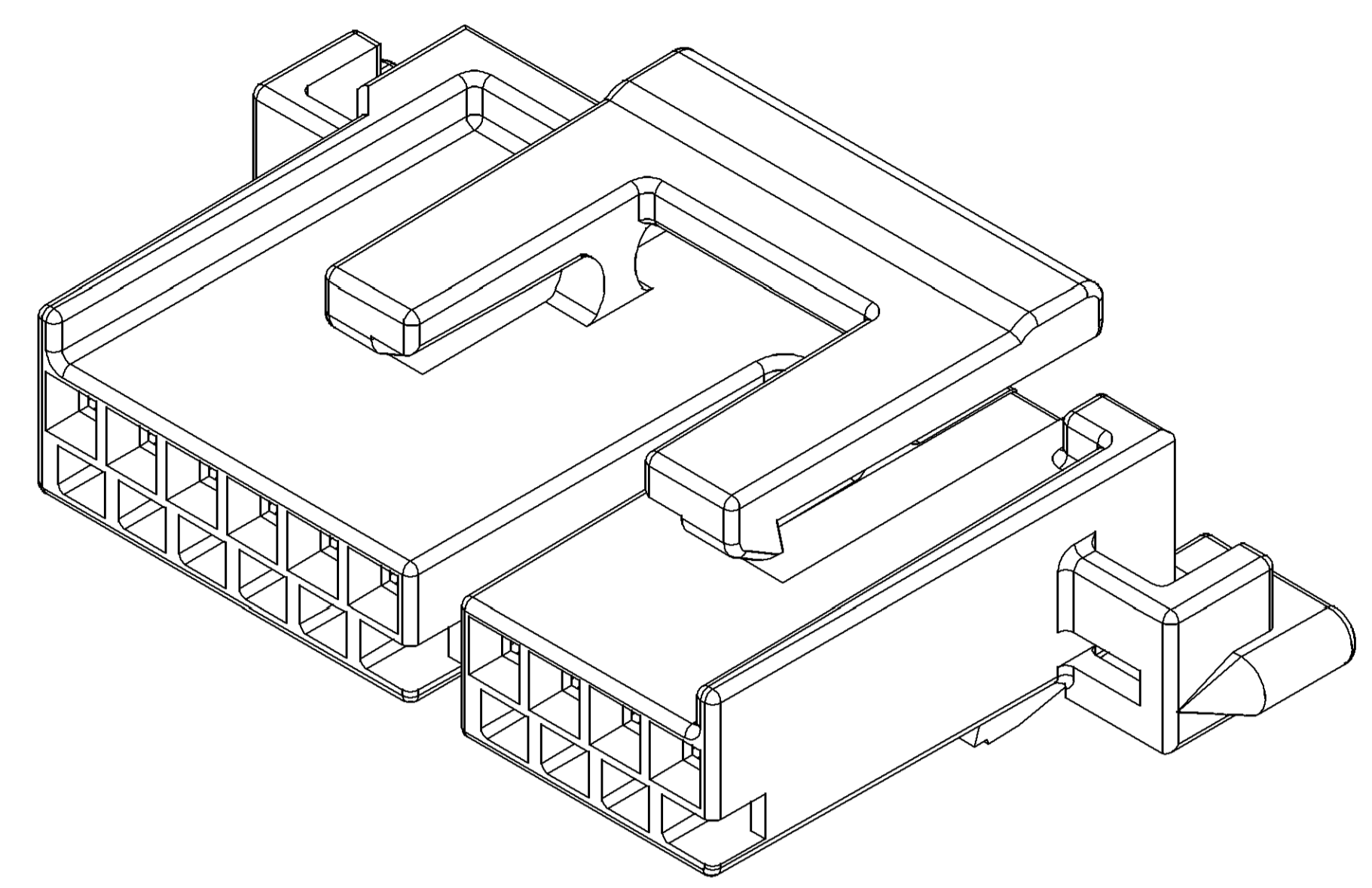
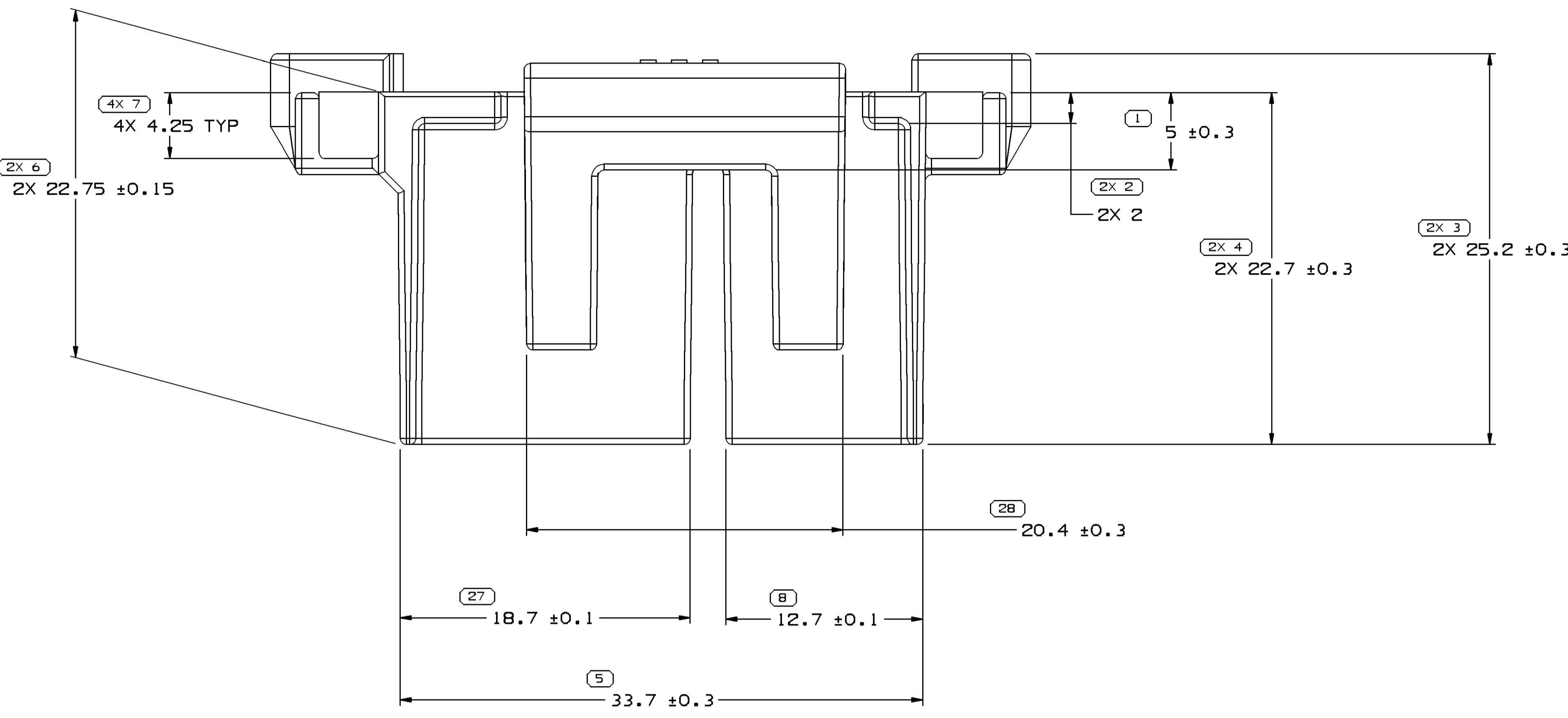


SYMBOL DEFINITION		MISSING SYMBOLS	
A DIMENSION WITHOUT AN INSPECTION REPORT SYMBOL DOES NOT REQUIRE INSPECTION. IT MAY BE CONTROLLED ON THE INDIVIDUAL COMPONENT DRAWING.		TOTAL NO OF INSPECTIONS REQUIRED	44
		LAST NO. USED	31

DWG STATUS				REVISION HISTORY				AUTH		DR		APVD	
DATE	STG	REV	N/P	CHG	ZONE	NO	DESCRIPTION	BY	DATE	BY	DATE	BY	DATE
22AP09	R	H3	-	-	-	1	CLEARED REVISION COLUMN, REDRAWN TO PD & UPDATED MATERIAL CALLOUT	407199	CBG	FRG	LHT		



- NOTES
- UNLESS OTHERWISE SPECIFIED AND/OR INDICATED:
 - DIMENSIONS ARE TO FACE OF VIEW SHOWN AND AUTOMATICALLY ROUNDED BY COMPUTER FOR INSPECTION (SEE MATH MODEL FOR PRECISE DIMENSIONS). FOR ALL OTHER DIMENSIONS NOT SHOWN BUT REQUIRED FOR TOOL BUILD, SEE MATH MODEL FOR PRECISE TOOL PATH DATA.
 - MATERIAL RECYCLING CODE PER ISO 11469. (11X(0.1) CHARACTERS AS SHOWN TO BE LOCATED ON ANY EXTERIOR SURFACE. OPTIONAL CONSTRUCTION TO BE NO MATERIAL RECYCLING CODE.
 - THIS PRODUCT IS NOT CATEGORIZED AS AN APPEARANCE ITEM, MINOR IMPERFECTIONS INCLUDING, BUT NOT LIMITED TO, FLOW MARKS, COLOR BLEMISHES, GATE VESTIGE, AND SOFT FLASH THAT DO NOT AFFECT THE FIT, FORM, OR FUNCTION OF THE PART ARE PERMISSIBLE PER DPNP-4.7-CS-01.
 - (11X(0.1) DELPHI CORPORATE BRAND TO BE LOCATED ON ANY EXTERIOR SURFACE, PREFERABLY VISIBLE AT FINAL ASSEMBLY. OPTIONAL CONSTRUCTION FOR EXISTING TOOLING MAY BE "PED", OR NO LOGO.
 - FOR APPLICATION DATA SEE THE APPLICATION DRAWING.

PART DRAWING																																											
STYLE																																											
VOLUME 10/11	DISTRI CODE																																										
3,173	D																																										
UNLESS OTHERWISE SPECIFIED																																											
THIS DOCUMENT IS IN ACCORDANCE WITH ASME Y14.5M-1994 AS MODIFIED BY THE IN-SOURCE DIMENSIONING PRACTICE (ISD) ADDENDUM-0011. SEPARATE WRITINGS OF TOLERANCES MAY BE BASED SEPARATELY PER-ROLE OF DIVISION REFERENCES.																																											
ALL DIMENSIONS ARE IN MILLIMETERS																																											
REFERENCE																																											
<table border="1"> <thead> <tr> <th>DIMENSIONAL RANGE (MM)</th> <th>CHART</th> <th>ET</th> </tr> </thead> <tbody> <tr> <td>FROM > 0</td> <td>> 30</td> <td>> 100</td> </tr> <tr> <td>TO 20</td> <td>30</td> <td>70</td> </tr> <tr> <td></td> <td>70</td> <td>100</td> </tr> <tr> <td></td> <td>100</td> <td>150</td> </tr> <tr> <td></td> <td>150</td> <td>200</td> </tr> <tr> <td></td> <td>200</td> <td>250</td> </tr> <tr> <td></td> <td>250</td> <td>300</td> </tr> <tr> <td></td> <td>300</td> <td>400</td> </tr> <tr> <td colspan="3">TOLERANCE UNLESS OTHERWISE SPECIFIED</td> </tr> <tr> <td>±0.15</td> <td>±0.2</td> <td>±0.3</td> </tr> <tr> <td>±0.4</td> <td>±0.5</td> <td>±0.6</td> </tr> <tr> <td>±1</td> <td>±1.2</td> <td>±1.6</td> </tr> <tr> <td colspan="3">ANGULAR TOLERANCE 30°</td> </tr> </tbody> </table>		DIMENSIONAL RANGE (MM)	CHART	ET	FROM > 0	> 30	> 100	TO 20	30	70		70	100		100	150		150	200		200	250		250	300		300	400	TOLERANCE UNLESS OTHERWISE SPECIFIED			±0.15	±0.2	±0.3	±0.4	±0.5	±0.6	±1	±1.2	±1.6	ANGULAR TOLERANCE 30°		
DIMENSIONAL RANGE (MM)	CHART	ET																																									
FROM > 0	> 30	> 100																																									
TO 20	30	70																																									
	70	100																																									
	100	150																																									
	150	200																																									
	200	250																																									
	250	300																																									
	300	400																																									
TOLERANCE UNLESS OTHERWISE SPECIFIED																																											
±0.15	±0.2	±0.3																																									
±0.4	±0.5	±0.6																																									
±1	±1.2	±1.6																																									
ANGULAR TOLERANCE 30°																																											
<table border="1"> <thead> <tr> <th>THIRD ANGLE PROJECTION</th> <th>DO NOT SCALE</th> <th>USE MATH DATA</th> </tr> </thead> <tbody> <tr> <td></td> <td></td> <td></td> </tr> </tbody> </table>		THIRD ANGLE PROJECTION	DO NOT SCALE	USE MATH DATA																																							
THIRD ANGLE PROJECTION	DO NOT SCALE	USE MATH DATA																																									

DELPHI
DELPHI PACKARD ELECTRICAL/ELECTRONIC ARCHITECTURE
NAPER, OH

DR	DATE
APV01 JOSEPH SUDIK	08FEB4
APV02 D. PAXSON	22FEB4
APV03 JOSEPH GLADD	23MRB4
APV04	
APV05	

SUBSTANCES OF CONCERN AND RECYCLED CONTENT PER DELPHI 10949001

MATERIAL: POLYAMIDE COMPOUND BLACK

DRAWING NAME: CONN 10 F MIC/P 100

DRAWING NUMBER: 12047531

SIZE	SCALE	FRAME NO	SHEET NO	STG	REV	N/P
A0	5:1	1	1	1	R	H3

Date: 02-Jun-09 Time: 09:11