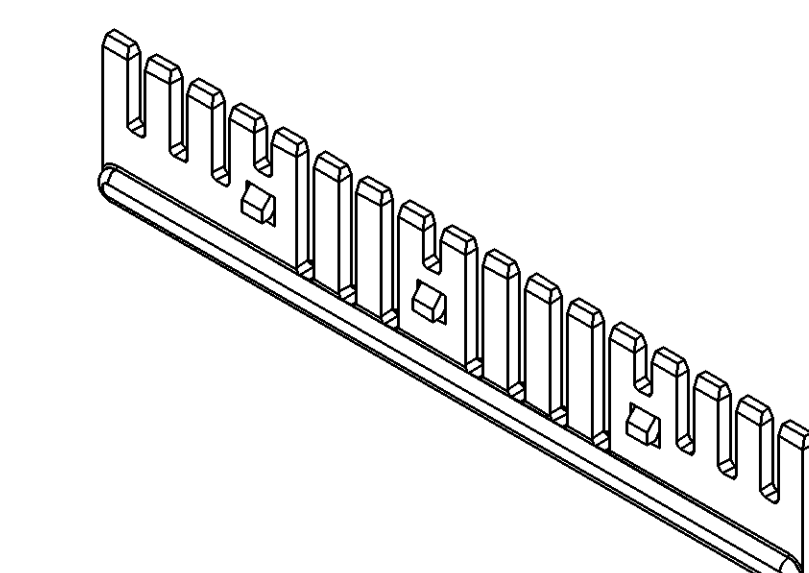
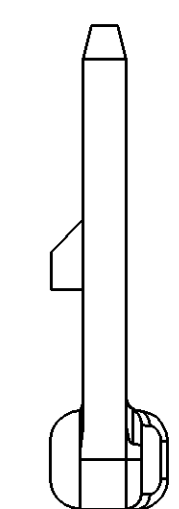
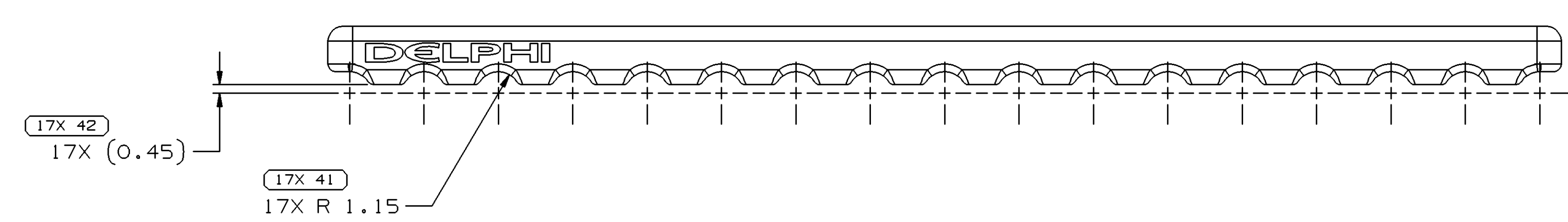
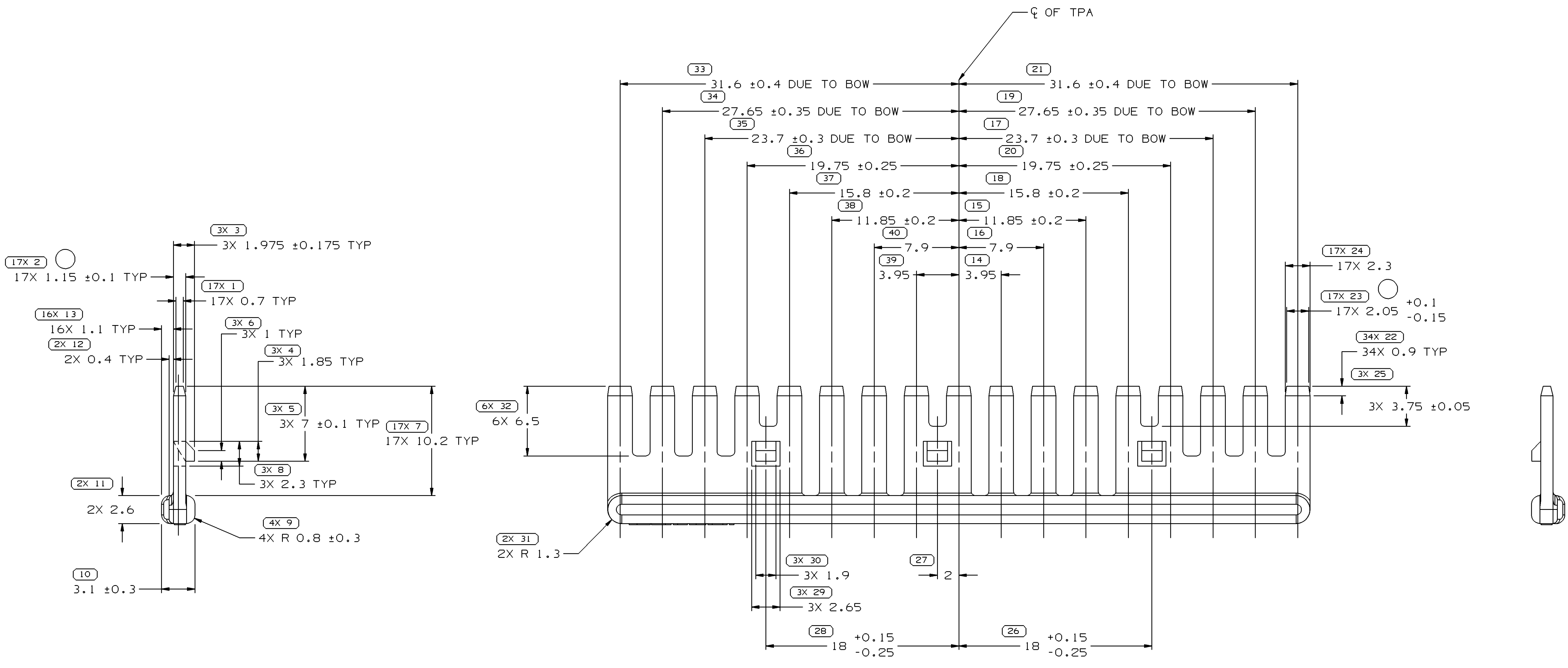


SYMBOL DEFINITION		TOTAL NO OF INSPECTIONS REQUIRED		MISSING SYMBOLS	
A DIMENSION WITHOUT AN INSPECTION REPORT SYMBOL DOES NOT REQUIRE INSPECTION. IT MAY BE CONTROLLED ON THE INDIVIDUAL COMPONENT DRAWING.		229		NO MISSING SYMBOL NUMBER	
		LAST NO. USED		42	

DWO STATUS					REVISION HISTORY					AUTH		DR		APVD	
DATE	STG	REV	N/P	CHG	ZONE										
19AP05	R	E4	-	-		CLEARED REV COL & REDRAWN TO PD, UPDATED MAT'L SPEC, 17X 2.05 +0.1/-0.15 WAS 2.15/2.17 PLCS AND 17X 1.15 ±0.1 TYP WAS 1.17/1.07					267494	CCV	JAA	B06	



VIEW SCALE DOES NOT REFLECT ACTUAL PART SIZE

NOTES

- UNLESS OTHERWISE SPECIFIED AND/OR INDICATED:  
DIMENSIONS ARE TO FACE OF VIEW SHOWN AND AUTOMATICALLY ROUNDED BY COMPUTER FOR INSPECTION (SEE MATH MODEL FOR PRECISE DIMENSIONS). FOR ALL OTHER DIMENSIONS NOT SHOWN BUT REQUIRED FOR TOOL BUILD, SEE MATH MODEL FOR PRECISE TOOL PATH DATA. ALL RADII 0.4. LOCKING FEATURES ARE IDENTICAL.
- REFERENCE MATING COMPONENTS OR EQUIVALENT:  
CONNECTOR 12047842
- (1)(X(0.1) DELPHI CORPORATE BRAND TO BE LOCATED ON ANY EXTERIOR SURFACE, PREFERABLY VISIBLE AT FINAL ASSEMBLY. OPTIONAL CONSTRUCTION FOR EXISTING TOOLING MAY BE "PED".

DIMENSIONAL RANGE (MM)		TOLERANCE		CHART E1	
FROM	TO	±	°	±	°
> 0	> 20	> 0.15	> 0.1	> 0.15	> 0.1
> 20	> 30	> 0.2	> 0.15	> 0.2	> 0.15
> 30	> 40	> 0.25	> 0.2	> 0.25	> 0.2
> 40	> 50	> 0.3	> 0.25	> 0.3	> 0.25
> 50	> 60	> 0.35	> 0.3	> 0.35	> 0.3
> 60	> 70	> 0.4	> 0.35	> 0.4	> 0.35
> 70	> 80	> 0.45	> 0.4	> 0.45	> 0.4
> 80	> 90	> 0.5	> 0.45	> 0.5	> 0.45
> 90	> 100	> 0.55	> 0.5	> 0.55	> 0.5
> 100	> 150	> 0.6	> 0.55	> 0.6	> 0.55
> 150	> 200	> 0.7	> 0.6	> 0.7	> 0.6
> 200	> 250	> 0.8	> 0.7	> 0.8	> 0.7
> 250	> 300	> 0.9	> 0.8	> 0.9	> 0.8
> 300	> 400	> 1.0	> 0.9	> 1.0	> 0.9

DWO TYPE		PART DRAWING					
STYLE		DISTR CODE	D				
VOLUME (COP)	0, 971						
UNLESS OTHERWISE SPECIFIED							
THIS DOCUMENT IS IN ACCORDANCE WITH ASME Y14.5M-1994 AS AMENDED BY THE 2003 ADDENDUM. DIMENSIONING AND TOLERANCING ADDENDUM-2003. SEPARATE PATTERNING OF FEATURES MAY BE OBTAINED SEPARATELY. REWORK OF DATUM REFERENCES.							
ALL DIMENSIONS ARE IN MILLIMETERS							
REFERENCE							
<table border="1"> <tr> <td>(10)</td> <td>PROCESS SENSITIVE DIMENSION</td> </tr> <tr> <td>( )</td> <td>DIMENSIONS ENCLOSED IN ( ) INDICATE REFERENCE DIMENSIONS AND NO TOLERANCE LIMITS ARE ESTABLISHED</td> </tr> </table>				(10)	PROCESS SENSITIVE DIMENSION	( )	DIMENSIONS ENCLOSED IN ( ) INDICATE REFERENCE DIMENSIONS AND NO TOLERANCE LIMITS ARE ESTABLISHED
(10)	PROCESS SENSITIVE DIMENSION						
( )	DIMENSIONS ENCLOSED IN ( ) INDICATE REFERENCE DIMENSIONS AND NO TOLERANCE LIMITS ARE ESTABLISHED						
THIRD ANGLE PROJECTION		DO NOT SCALE					
USE MATH DATA		UNGRIPPS					

**DELPHI**  
DELPHI PACKARD ELECTRIC SYSTEMS  
WARREN, OH

DR	DATE
APVD1 R. SEBRELL	25AP84
APVD2 G.E. ROBINSON	18JNB4
APVD3 S.E. ESKRIDGE	18JNB4
APVD4	
APVD5	

UNLESS OTHERWISE SPECIFIED  
SUBSTANCES OF CONCERN AND RECYCLED CONTENT PER DELPHI 10949001

MATERIAL  
M4695001 PBT NAT

DRAWING NAME  
LOCK TPA M/P 150 NAT

DRAWING NUMBER  
12047843

SIZE	SCALE	FRAME NO	SHEET NO	TSTG	REV	N/P
A0	5:1	1	1	1	1	E4