

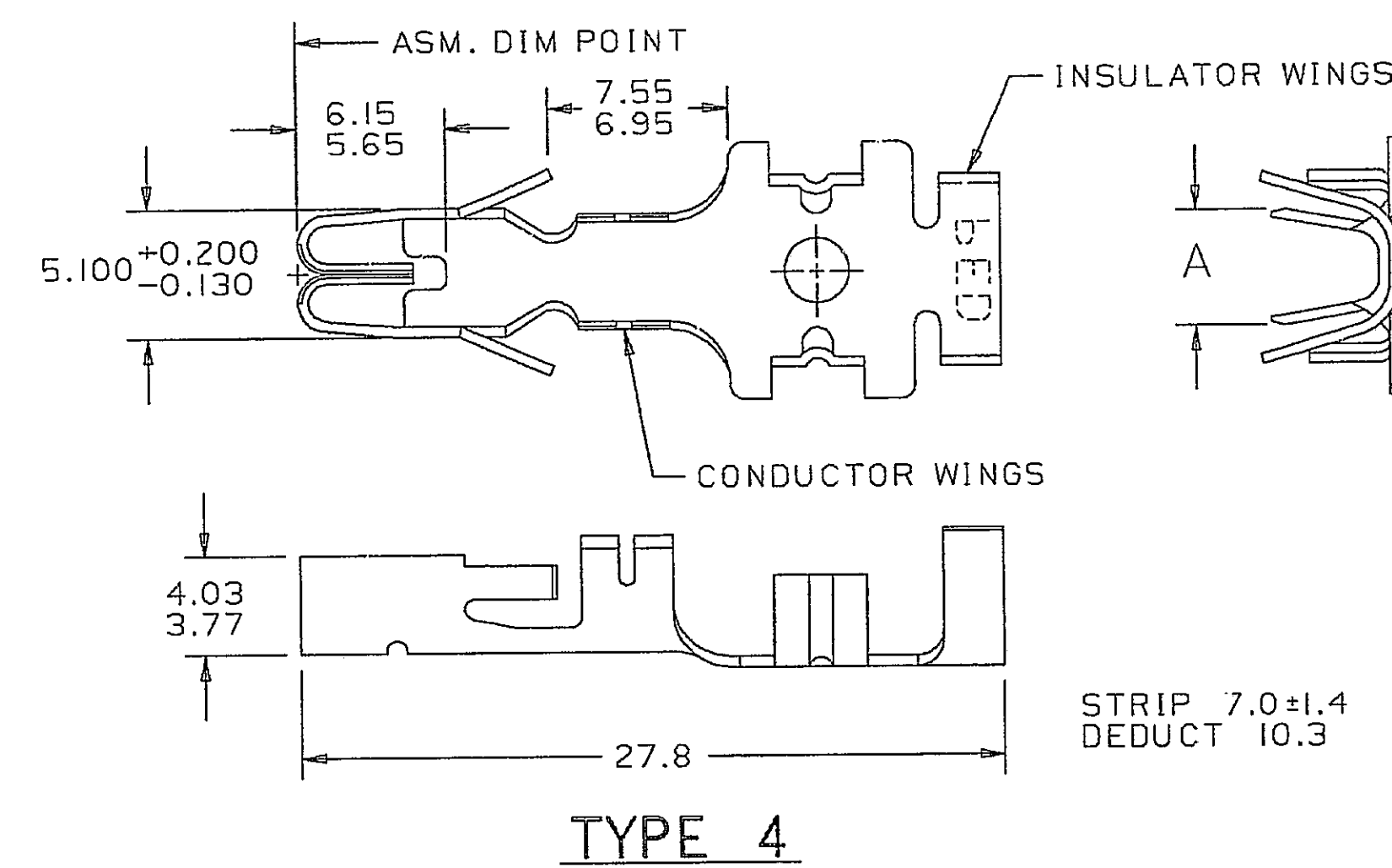
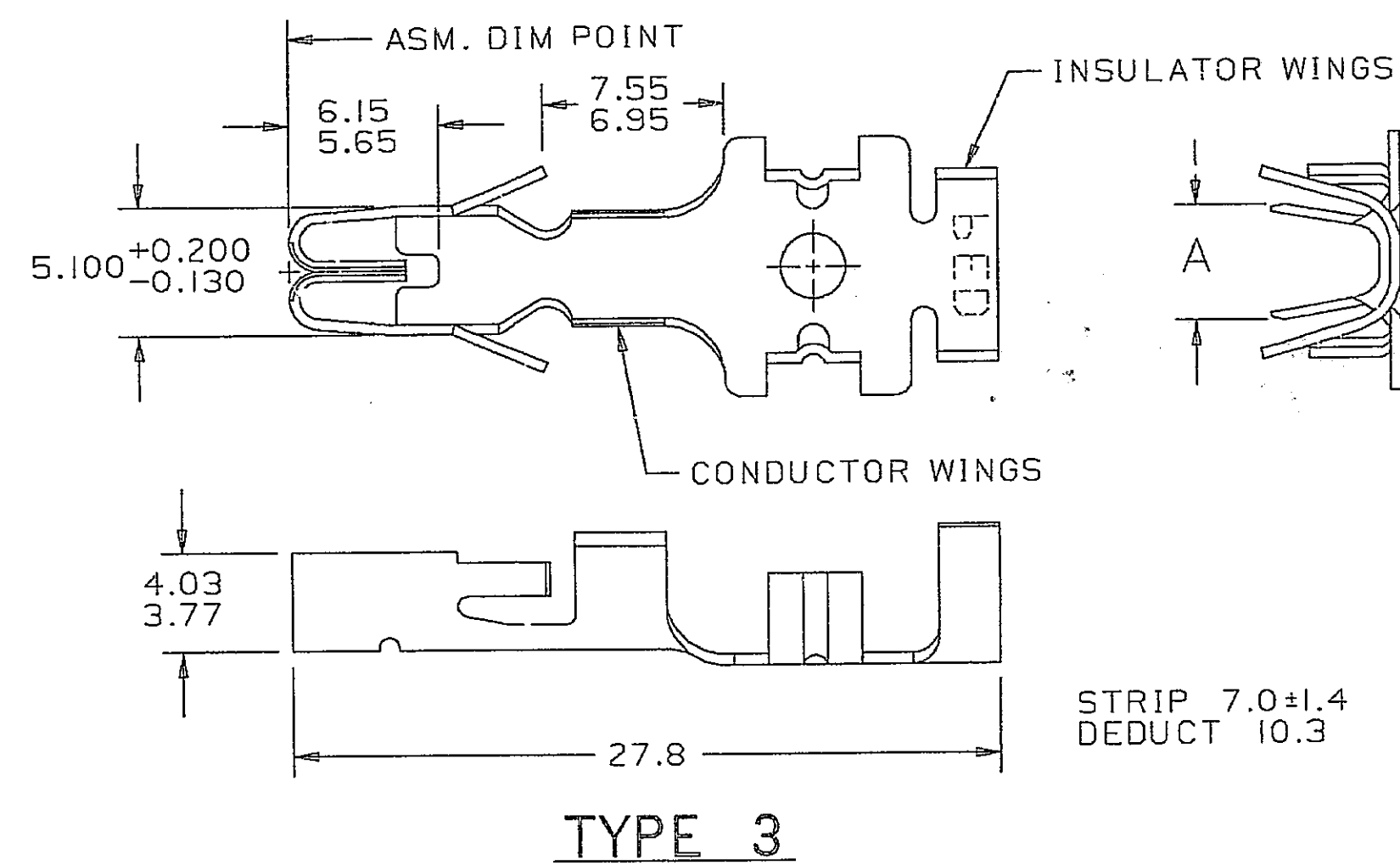
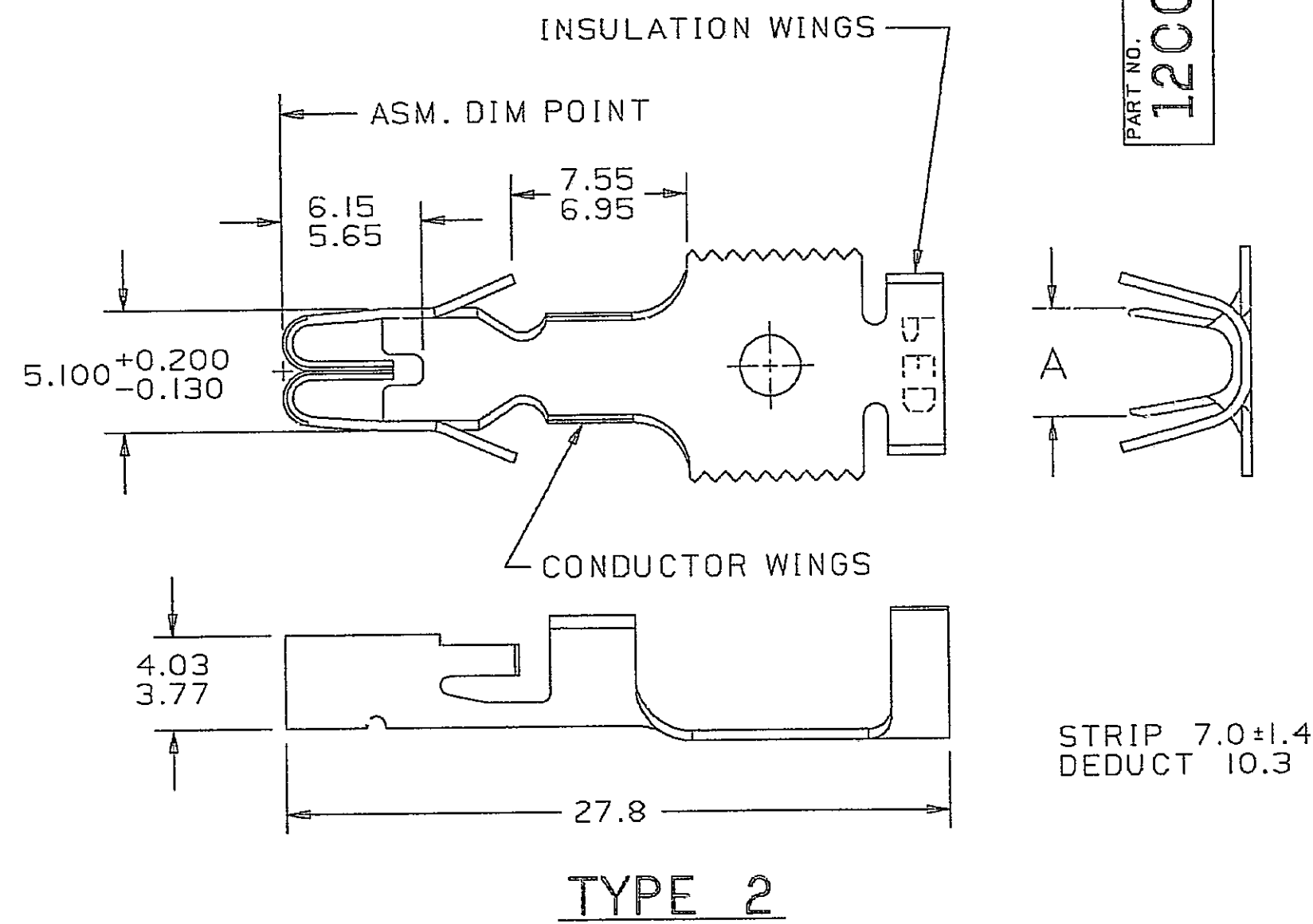
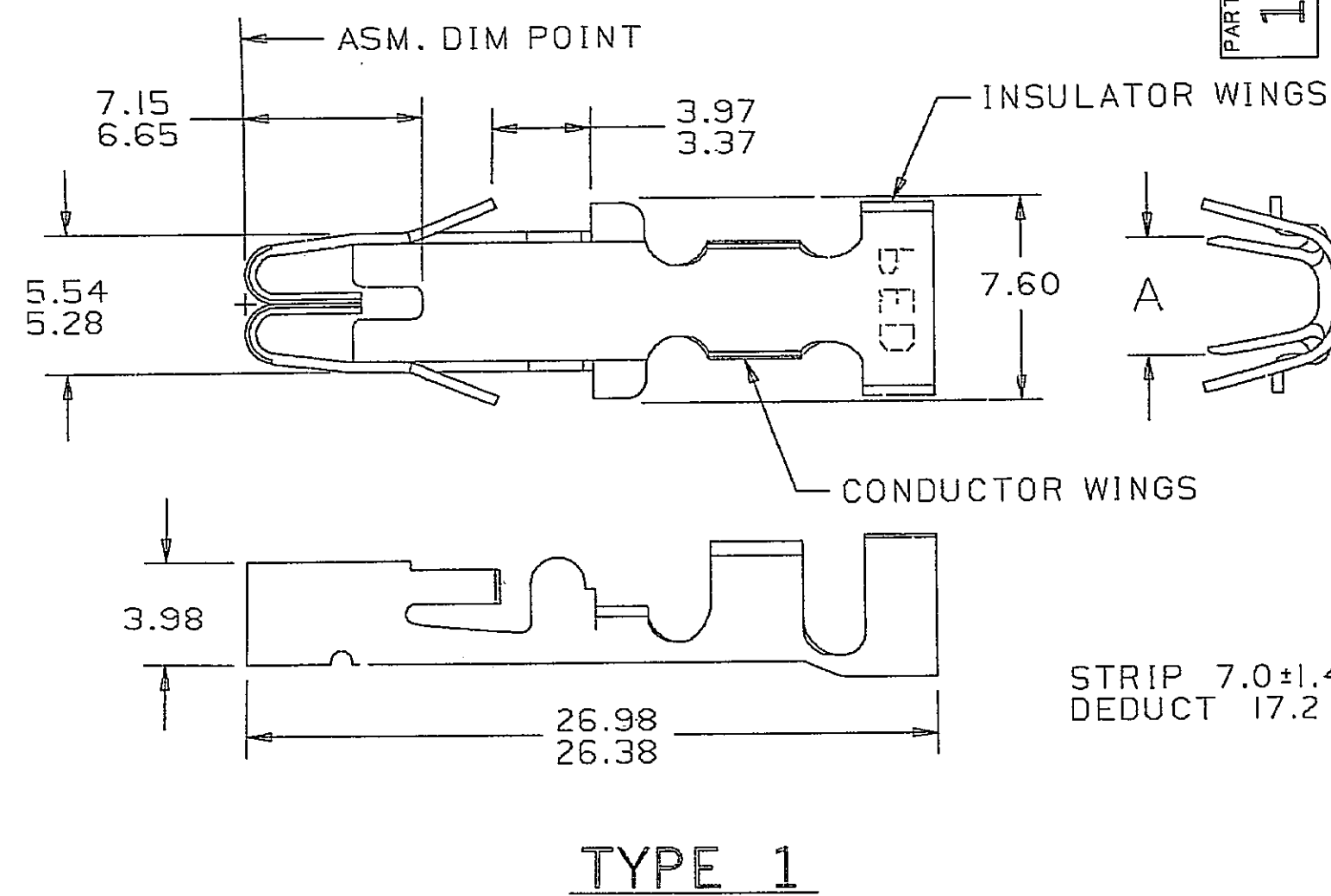
D

THIS DRAWING AND DESIGN HEREON CONSTITUTE A PROPRIETARY DESIGN OF PACKARD ELECTRIC DIVISION AND IS NOT TO BE DUPLICATED OR REPRODUCED WITHOUT AUTHORITY OF PACKARD ELECTRIC DIVISION.

DO NOT SCALE

PART NO. 1200 4552

PART NO. 1200 4552



DATE	SYM	REVISION RECORD	AUTH	DR	CK
11SE89	—	CLEARED REVISION COLUMN —			
		I2089950, I2089951, I2089952 & I2089953 — REVISED NOTE —			
		NO REVISION UPDATE REQUIRED	I29804	FH	FH
27SE89	—	ALL ACTIVE TYPE #1 PARTS —			
		SLOT DIM. 7.15/6.65 WAS 6.15/5.65; REVISION LEVELS ADVANCED:			
		I2015373 & I2089953 BROUGHT INTO AGREEMENT WITH DETAIL.	I29180	AP	AP
06DE89	—	I2078031, I2078032, I2078033, I2078136, I2078137 & I2078138: REV. LEVEL ADVANCED TO "B"	I31198	AP	AP
20DE89	—	ALL ACTIVE TYPE #1 PARTS —			
		DIM. 3.98 WAS 4.22/3.96; NO REV. UPDATE REQ'D.	I32023	AP	AP
21JN91	—	ALL ACTIVE PARTS — REVISED TOLERANCE ±0.2 WAS ±0.4 —			
		NO REV UPDATE REQ'D	I43205	JK	HH
24AU04	—	CORRECTED PREVIOUS DRAFTING ERRORS ON CN251516	258153	BY	BY
05JA07	—	I2052443 - UPDATED REVISION LEVEL	400027	EFS	EVV

PACKARD ELECTRIC DIVISION  
GENERAL MOTORS CORPORATION  
WARREN, OHIO

PART NO.	REV.	STATUS	MATERIAL	PART NO.	REV.	STATUS	TYPE	SIZE (MM <sup>2</sup> )	DIA.	I.D.	A
I2089823	B		0.406 THK SAE CA 260 BRASS	I2010636	A	F	■ 1	2.0-1.0	3.95	15	4.4
			0.406 THK SAE CA 260 COPPER	I2078138	B		■ 1	0.8-0.5	3.10	19	3.2
			0.406 THK SAE CA 260 COPPER	I2078136	B		■ 4	2.0-1.0	3.95	15	3.3
I2078033	B		0.406 THK SAE CA 260 BRASS				■ 4	5.0-3.0	5.10	11	4.6
I2078032	B		0.406 THK SAE CA 260 BRASS	I2078137	A	B	■ 4	2.0-1.0	3.95	15	3.3
I2078031	B		0.406 THK SAE CA 260 BRASS				■ 4	5.0-3.0	5.10	11	4.6
I2066447	A	OBSOLETE	0.406 THK SAE CA 260 BRASS				■ 2	0.8-0.5	3.10	19	3.8
I2052443	B		0.406 THK SAE CA 260 BRASS				■ 2	3.0	3.10	12	4.6
I2052209	B		0.406 THK SAE CA 260 BRASS				■ 1	3.0	3.10	12	4.6
I2052208	B		0.406 THK SAE CA 260 BRASS				■ 1	1.0	2.25	16	4.4
			0.406 THK SAE CA 195 COPPER	I2048293	A	OBSOLETE	■ 2	0.8-0.5	3.10	19	3.8
			0.406 THK SAE CA 195 COPPER	I2048291	A		■ 2	2.0-1.0	3.95	15	4.4
			0.406 THK SAE CA 195 COPPER	I2048290	A		■ 2	5.0-3.0	5.10	11	4.6
			0.406 THK SAE CA 195 COPPER	I2048289	A	OBSOLETE	■ 2	TWO 2.0-1.0	3.10	215	6.0
			0.406 THK SAE CA 195 COPPER	I2048281	B		■ 1	TWO 0.8-0.5	2.55	219	4.7
			0.406 THK SAE CA 195 COPPER	I2048280	A	OBSOLETE	■ 1	TWO 2.0-1.0	3.10	215	6.0
			0.406 THK SAE CA 195 COPPER	I2048279	B		■ 1	0.8-0.5	3.10	19	3.8
			0.406 THK SAE CA 195 COPPER	I2048278	B		■ 1	2.0-1.0	3.95	15	4.4
			0.406 THK SAE CA 195 COPPER	I2048277	B		■ 1	5.0-3.0	5.10	11	4.6
I2020400	E		0.406 THK SAE CA 260 BRASS	I2089953	B		■ 1	5.0-3.0	5.10	11	4.6
I2020338	D		0.406 THK SAE CA 260 BRASS	I2010637	A	E	■ 2	2.0-1.0	3.95	15	4.4
I2020337	D		0.406 THK SAE CA 260 BRASS				■ 2	5.0-3.0	5.10	11	4.6
I2020336	E		0.406 THK SAE CA 260 BRASS	I2089952	B		■ 1	TWO 0.8-0.5	2.55	219	4.7
I2020335	E		0.406 THK SAE CA 260 BRASS				■ 1	TWO 2.0-1.0	3.10	215	6.0
I2020334	E		0.406 THK SAE CA 260 BRASS	I2089951	B		■ 1	0.8-0.5	3.10	19	3.8
I2020321	E		0.406 THK SAE CA 260 BRASS	I2089950	B		■ 1	2.0-1.0	3.95	15	4.4
I2015373	E		0.406 THK SAE CA 260 BRASS				■ 1	0.35-0.22	1.86	23	2.2
I2004582	A	OBSOLETE	0.406 THK SAE CA 260 BRASS				■ 3	TWO 0.8-0.5	2.55	219	4.7
I2004581	A	OBSOLETE	0.406 THK SAE CA 260 BRASS				■ 3	TWO 2.0-1.0	3.10	215	6.0
I2004580	A	OBSOLETE	0.406 THK SAE CA 260 BRASS				■ 3	0.8-0.5	3.10	19	3.1
I2004579	A	OBSOLETE	0.406 THK SAE CA 260 BRASS				■ 3	2.0-1.0	3.95	15	3.7
I2004578	A	OBSOLETE	0.406 THK SAE CA 260 BRASS				■ 3	5.0-3.0	5.10	11	4.6
I2004562	D		0.406 THK SAE CA 260 BRASS				■ 2	TWO 2.0-1.0	3.10	215	6.0
I2004561	D		0.406 THK SAE CA 260 BRASS				■ 2	TWO 0.8-0.5	2.55	219	4.7
I2004560	E		0.406 THK SAE CA 260 BRASS				■ 2	0.8-0.5	3.10	19	3.8
I2004559	E	OBSOLETE	0.406 THK SAE CA 260 BRASS				■ 2	2.0-1.0	3.95	15	4.4
I2004558	D	OBSOLETE	0.406 THK SAE CA 260 BRASS				■ 2	5.0-3.0	5.10	11	4.6
I2004557	E	OBSOLETE	0.406 THK SAE CA 260 BRASS				■ 1	TWO 0.8-0.5	2.55	219	4.7
I2004556	E	OBSOLETE	0.406 THK SAE CA 260 BRASS				■ 1	TWO 2.0-1.0	3.10	215	6.0
I2004555	F	OBSOLETE	0.406 THK SAE CA 260 BRASS				■ 1	0.8-0.5	3.10	19	3.8
I2004554	F	OBSOLETE	0.406 THK SAE CA 260 BRASS				■ 1	2.0-1.0	3.95	15	4.4
I2004553	E	OBSOLETE	0.406 THK SAE CA 260 BRASS				■ 1	5.0-3.0	5.10	11	4.6
PART NO.	REV.	STATUS	MATERIAL	PART NO.	REV.	STATUS	TYPE	SIZE (MM <sup>2</sup> )	DIA.	I.D.	A
			UNPLATED								±0.2

CABLE I.D. NUMBER (AS SPECIFIED IN CHART) IS LOCATED ON UNDERSIDE OF EACH TERMINAL.

- INDICATES SERRATIONS IN CONDUCTOR WINGS.
- ▲ INDICATES MATERIAL (C260 ALLOY) IS TIN PLATED OVER COPPER PLATE.
- INDICATES MATERIAL (C195 ALLOY) IS SILVER PLATED OVER NICKEL PLATE.
- INDICATES MATERIAL (C260 ALLOY) IS SILVER PLATED OVER NICKEL PLATE.

NOTE — CONTACT PACKARD ELECTRIC SALES DEPARTMENT CONCERNING CURRENT PRODUCT AVAILABILITY.

As of 06JL90 this drawing is no longer being maintained on computer vision.

CAD CAM (JWP)

**METRIC** THIRD ANGLE PROJECTION

DIMENSIONS ARE IN MILLIMETERS UNLESS OTHERWISE SPECIFIED

CODE NO. 6900 TOLERANCE UNLESS OTHERWISE SPECIFIED  
DECIMAL: ONE PLACE ± 0.3 TWO PLACE ± 0.15 ANGULAR: ± 2°

QC DATE 07JN78 SCALE NONE DR.

CD X.TERM. I2004552.00.01 CK R. SEBRELL DATE 03AU84

REFERENCE NO. I2004552 "D" SIZE APPR. DATE  
SHT. #1, #2, & #6 APPR. R.D. KEARNS DATE 040C84

MATERIAL SPEC. SEE CHART

NAME TERM F PAC/ON III

PART NO. **1200 4552** SIZE D

OUTLINE DRAWING SHEET 1 OF 3

C05D1974