

D

THIS DRAWING AND DESIGN HEREON CONSTITUTES A PROPRIETARY DESIGN OF PACKARD ELECTRIC DIVISION AND IS NOT TO BE DUPLICATED OR REPRODUCED WITHOUT AUTHORITY OF PACKARD ELECTRIC DIVISION

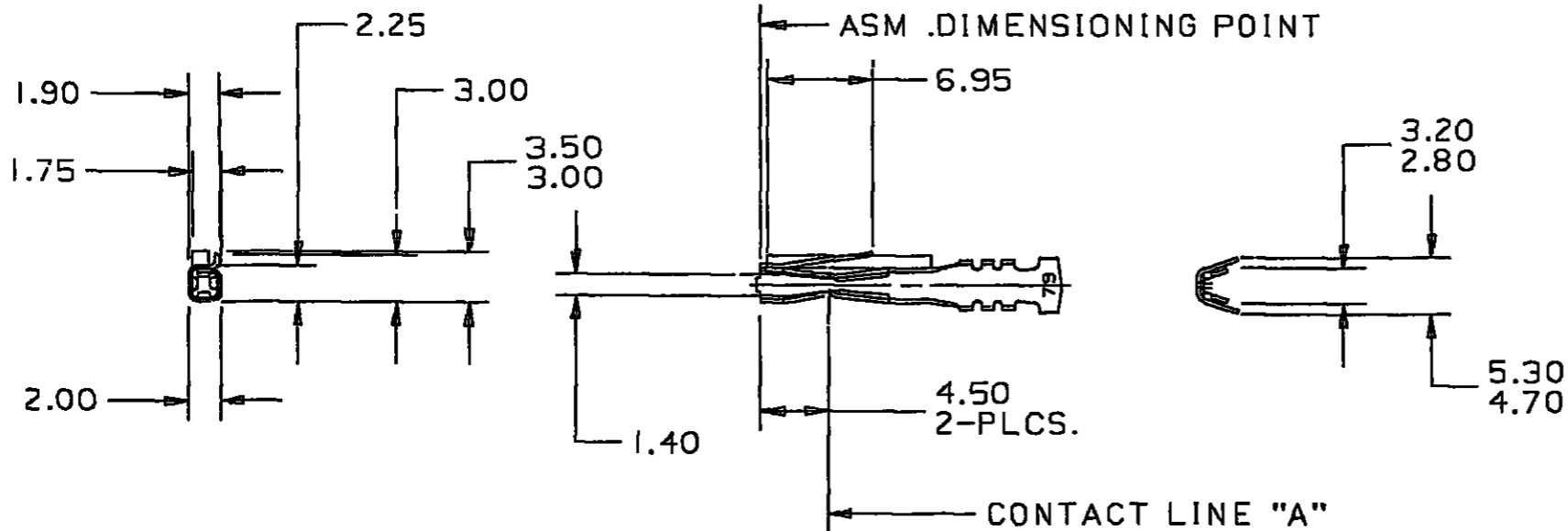
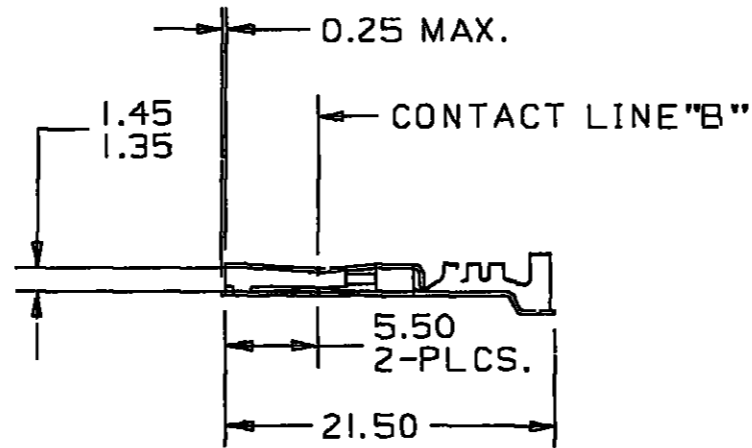
DO NOT SCALE

DRAWING NO.

1204 8327

DATE	SYM	REVISION RECORD	AUTH	DR	CK
22JN84	A	RELEASED	84005	---	RLS
080C84	B	REV. SYM ADVANCED.	91491	---	RLG
080C84	C	REV SYM ADVANCED.	92358	---	RLG
080C84	D	REV SYM ADVANCED & REPLOTED	93313	---	RLG
31JA85	E	REVISED & REPLOTED	94824	CDH	FH
28MR85	F	REVISED & REPLOTED	97148	JC	TM
31MY85	G	1.40 DIM WAS 1.450/1.350 & REPLOTED	98396	TLB	AS
24JA86	---	REVISED	100948	JP	FH
15JL86	---	3.20/2.80 WAS 3.40/2.60 & 5.30/4.70 WAS 5.40/4.60	107446	RS	FH
19NO86	---	OBSOLETE	860003	TLB	JH
23AP93	J	REINSTATED & REVISED	155227	GC	GC
11DE06	J1	UPDATED PDM ATTRIBUTES	287695	JP	MR

PACKARD ELECTRIC DIVISION
GENERAL MOTORS CORPORATION
WARREN, OHIO



- NOTES — 1. USE CABLE SIZE 1.0 - 0.8 - 0.5 MM².
2. USE CABLE SEAL 12048086 OR EQUIVALENT.

METRIC

DIMENSIONS ARE IN MILLIMETRES UNLESS OTHERWISE SPECIFIED

RONART (KADI)

P N C. CODE		C02D3126	
CODE NO	6900	TOLERANCE UNLESS OTHERWISE SPECIFIED DECIMAL ANGUL/S = 2° ONE PLACE = 0.2 TWO PLACE = 0.10	
QC		DR	
DWG DATE	22JN84	SCALE	NONE
EST NO		CK	R.SEBRELL
REFERENCE NO		APPR	B.SERBIN
		APPR	J.DAUGHERTY
MATERIAL SPEC	P3604361		
	654 SLC BRZ 1/2 HD SN PLTD		
NAME	TERM F MIC/P 100 SEAL		
THIRD ANGLE PROJECTION	PART NO	1204 8327	SIZE
		OUTLINE DRAWING	B

CD.T.MICRO.F.12048327.0D

PACKARD ELECTRIC