

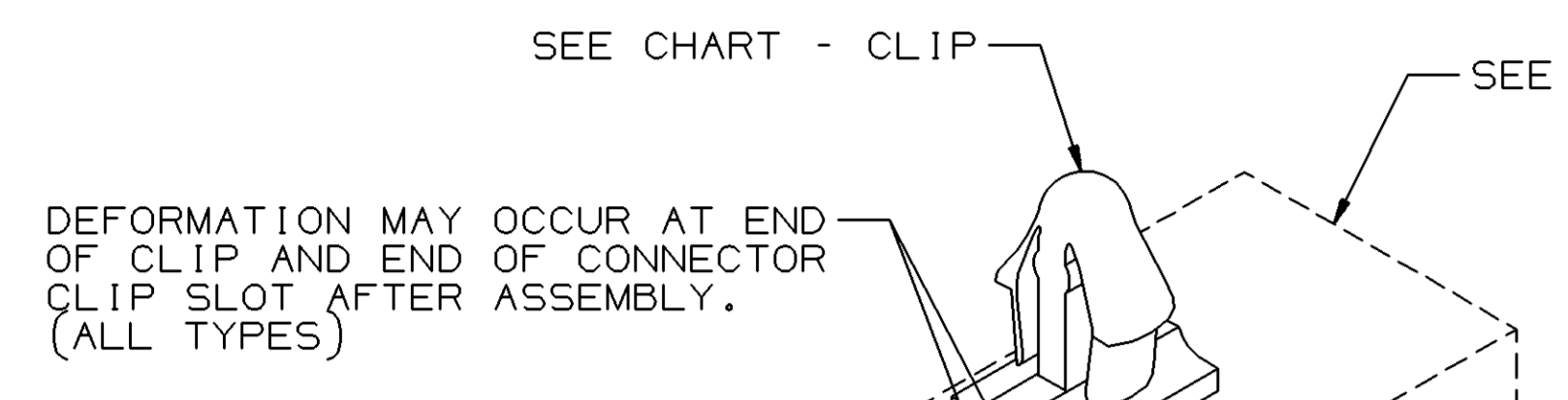
SYMBOL DEFINITION

A DIMENSION WITHOUT AN INSPECTION REPORT SYMBOL DOES NOT REQUIRE INSPECTION. IT MAY BE CONTROLLED ON THE INDIVIDUAL COMPONENT DRAWING.

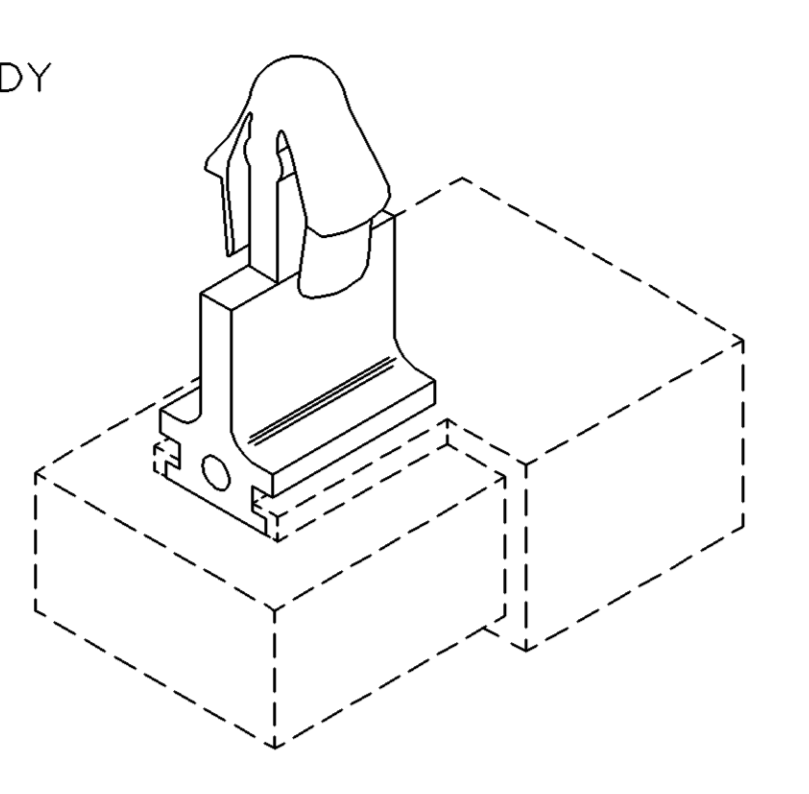
TOTAL NO OF INSPECTIONS REQUIRED 1

LAST NO. USED 1

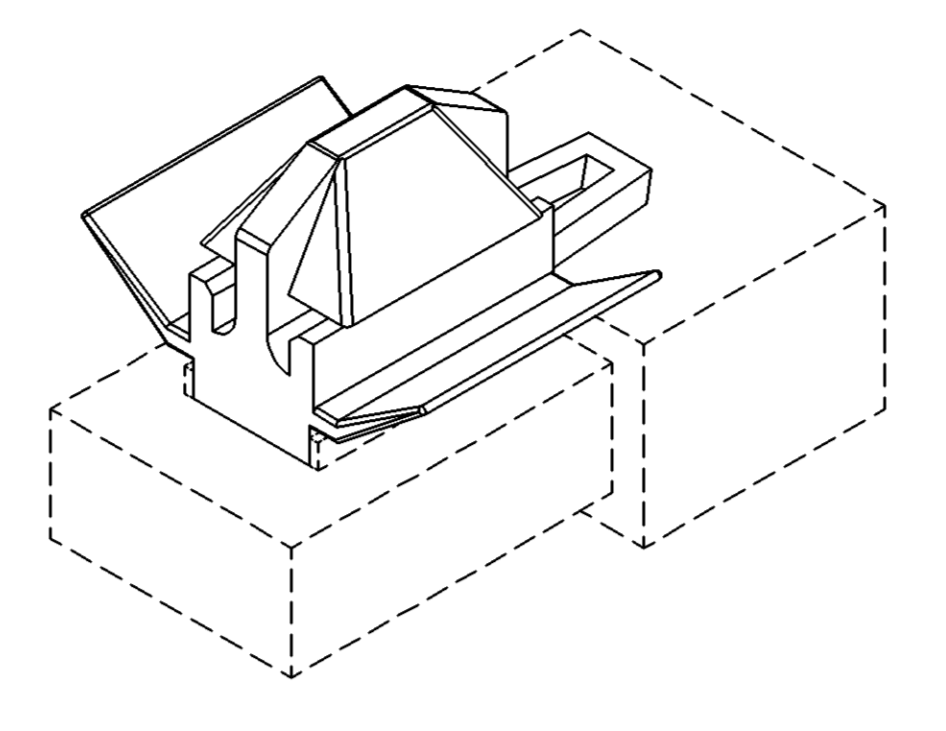
DATE		STG	REV	N/P	CHG	ZONE	REVISION HISTORY	AUTH	DR	APVD	APVD
08JUL02	R	10	-	-	-	-	CLEARED REV COLUMN & 15441422 - RELEASED	227545	JGR	EOV	FR
26JUL02	R	11	-	-	-	-	15443306 - RELEASED	228500	JGR	EOV	EM
01AUG02	R	12	-	-	-	-	15443306 - CLIP 12084561 WAS 08905563	228816	EOV	EOV	EM
13AUG02	R	13	-	-	-	-	15443306 - REVISED REVISION LEVEL	229273	EOV	EOV	EM
27SEP02	R	14	-	-	-	-	15448420 - RELEASED & ADDED NOTE	231106	RVP	RVP	EM
02OCT02	R	15	-	-	-	-	15449359 - RELEASED	231316	RVP	RVP	EM
01NOV02	R	16	-	-	-	-	15452716 - RELEASED	232980	EOV	EOV	EM
31JUL03	R	17	-	-	-	-	ALL ACTIVE PARTS - REVISED ASM NOTE 2	243742	JYD	EOV	FR
25NOV03	R	18	-	-	-	-	12066387 - CLIP 15355107 WAS 12084561	249281	EAR	EAR	ET
08DEC03	R	19	-	-	-	-	15486364 - RELEASED; ADDED TYPE 704; ADDED NOTE 4	249645	ADK	EES	RAP
27FEB04	R	20	-	-	-	-	15448420 - CLIP 15427170 WAS 15358692	251585	JPB	FKV	RAP
03JUN04	R	21	-	-	-	-	12124450 - OBSOLETE	255546	TLD	TLD	MFR
20JUL04	-	22	-	-	-	-	12077942, 12077772, 12066439, 12065650, 12052750, 12059984, 12052469, 12040711, 12020339, 12034466, 12034123, 12020421, 12020394, 12004100, 12004056, 08917738, 08911353, 08900423, 02899525, 02884943, 12089344, 12089889, 12089926, 12103021, 12124426, 12162221, 12162470 - MADE OBSOLETE	256332	AKJ	AKJ	MGR
27JUL04	R	23	-	-	-	-	15496768 - RELEASED	257129	TSH	TSH	RP
20SEP04	R	24	-	-	-	-	12089282 - MADE OBSOLETE	258312	MJM	MJM	MFR



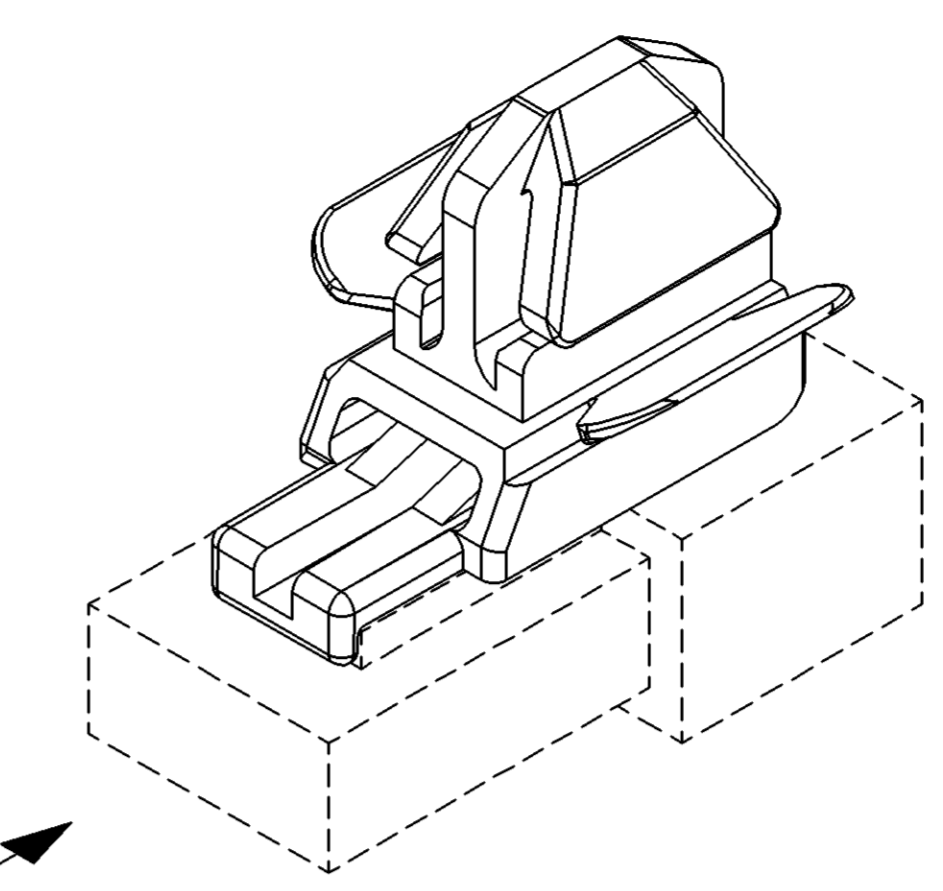
TYPE 701



TYPE 702



TYPE 703



TYPE 704

REV	N/P	STATUS	CAVITY	CONN BODY	CLIP	TYPE	ASM NOTES	COLOR	SEALING CODE	CONN BODY & CLIP ASM	REV	N/P	STATUS	CAVITY	CONN BODY	CLIP	TYPE	ASM NOTES	COLOR	SEALING CODE	
12089282	C3	OBSOLETE	4	12186271	12084561	701	1,2	GRAY	0												
12085037	B2		5	12186400	12084561	701	1,2	MED GRA	3												
12085015	A3	OBSOLETE	4	12084672	12084561	701	1,2	BLK	3												
12084592	A	OBSOLETE	3	12052844	12084561	701	1,2	BLK	3												
12084470	C2		2	12059252	12084561	701	1,2	RED	0												
12084256	B2		8	12045688	12084561	701	1,2	BLK	0												
12078169	O2	AB	10	12064770	8905563	701	1,2	NAT	0												
12078168	A2		10	12064872	8905563	701	1,2	BLU	0												
12077942	B3	OBSOLETE	2	12077917	12084561	701	1,2	YEL	0												
12077777	A2		8	12064767	8905563	701	1,2	BLU	0												
12077772	A3	OBSOLETE	8	12047933	8905563	701	1,2	LT GRA	0												
12066498	B2		4	12047786	12084561	701	1,2	BLK	0												
12066439	A3	OBSOLETE	3	12066437	8905563	701	1,2	BLU	0												
12066400	B2		3	15300003	12084561	701	1,2	BLK	3												
12066387	O3		2	12064750	15355107	701	1,2	BLK	0												
12066351	A2		8	12066195	8905563	701	1,2	BLK	0												
12065781	A2		6	12064763	8905563	701	1,2	GRA	0												
12065682	A	OBSOLETE	2	12064868	12015423	702	1,2	NAT	0												
12065658	A2		4	12064761	8905563	701	1,2	BLK	0												
12065657	A2		4	12064761	12015423	702	1,2	BLK	0												
12065654	A2		3	12064759	8905563	701	1,2	BLK	0												
12065653	B	OBSOLETE	6	12064754	12084561	701	1,2	BLK	0												
12065652	A2		1	12059885	8905563	701	1,2	BLK	0												
12065651	A2		2	12052833	8905563	701	1,2	BLK	0												
12065650	A3	OBSOLETE	2	12052833	12015423	702	1,2	BLK	0												
12065649	B	OBSOLETE	2	12052647	12084561	701	1,2	BLK	3												
12065648	A2		10	12052189	8905563	701	1,2	GRA	3												
12065490	B	OBSOLETE	6	12052849	12084561	701	1,2	BLK	3												
12064778	B2		2	12059254	12084561	701	1,2	LT GRN	0												
12059984	B3	OBSOLETE	4	12034295	12084561	701	1,2	BLK	0												
12059449	B2		2	12059250	12084561	701	1,2	NAT	0												
12059246	A2		5	12052480	8905563	701	1,2	GRA	3												
12052750	A3	OBSOLETE	8	12041255	12015423	702	1,2	BLK	0												
12052649	B	OBSOLETE	2	12052648	12084561	701	1,2	GRA	0												
12052469	B3	OBSOLETE	15	12034339	12084561	701	1,2	BLK	0												
12052454	A2		8	12047931	8905563	701	1,2	BLK	0												
12048458	B2		3	12047782	12084561	701	1,2	BLK	0												
12048457	B2		2	12047663	12084561	701	1,2	BLK	0	15496768	01	-	2	12047663	15401328	704	1,4	BLK	3		
12040711	B3	OBSOLETE	6	12010975	12084561	701	1,2	BLK	3	15452716	01	AA	8	15412350	12084561	701	1,2	GRA LT	0		
12034466	A3	OBSOLETE	4	6294544	8905563	701	1,2	BLK	0	15336476	01	AA	4	15336476	12084561	701	1,2	YEL	0		
12034297	B2		4	12020830	12084561	701	1,2	BLK	3	15448420	02	-	5	15326897	15427170	703	1,3	BLK	0		
12034154	A	OBSOLETE	1	8911388	8905563	701	1,2	BRN	0	12110500	02	AB	2	12110500	12084561	701	1,2	YEL	0		
12034123	A3	OBSOLETE	3	8905117	8905563	701	1,2	BRN	0	15441422	01	AA	8	15332150	12084561	701	1,2	BLK	0		
12034105	B	OBSOLETE	4	12010974	12084561	701	1,2	BLK	0	15422329	01	AA	8	12045688	08905563	701	1,2	BLK	0		
12033963	A2		3	12020398	8905563	701	1,2	BLK	0	15421925	01	AA	16	15332182	12084561	701	1,2	BLK	0		
12020690	A	OBSOLETE	4	6294544	8905563	701	1,2	BLK	0	12124583	01	AB	4	12124583	12084561	701	1,2	GRY	0		
12020539	B3	OBSOLETE	8	12041255	12084561	701	1,2	BLK	0	15358634	A2	-	8	15326928	12084561	701	1,2	BLK	0		
12020425	B2		3	12010717	12084561	701	1,2	BLK	3	15305551	02	AB	10	12064770	12084561	701	1,2	NAT	0		
12020422	B2		3	12015460	12084561	701	1,2	BLU	3	15305227	A2	-	8	12047931	12015423	702	1,2	BLK	3		
12020421	B3	OBSOLETE	3	12010791	12084561	701	1,2	NAT	3	12186279	A2	-	1	12004201	8905563	701	1,2	BLK	0		
12020394	B3	OBSOLETE	7	12041254	12084561	701	1,2	BLK	0	12186108	A2	-	8	12047931	12084561	701	1,2	BLK	3		
12015454	B2		2	12010973	12084561	701	1,2	BLK	3	12186012	A2	-	2	12065863	8905563	701	1,2	BLK	3		
12015159	A	OBSOLETE	3	8900421	8905563	701	1,2	BLK	0	12162794	A2	-	2	12092851	8905563	701	1,2	YEL	0		
12010951	A3	OBSOLETE	13	12004185	8905563	701	1,2	BLK	0	12124686	A2	-	2	12124686	12084561	701	1,2	BLK	3		
12004674	B	OBSOLETE	3	8900717	8905563	701	1,2	BLK	0	12124107	A	-	6	12124107	12084561	701	1,2	BLK	3		
12004100	B3	OBSOLETE	2	8917545	12084561	701	1,2	BLK	0	12124457	A	-	3	12065423	12015423	702	1,2	NAT	0		
12004096	B3	OBSOLETE	4	8917541	12084561	701	1,2	BLK	0	12124227	A2	-	8	12065396	12084561	701	1,2	NAT	0		
8917738	B3	OBSOLETE	1	8917580	12084561	701	1,2	BLK	0	12124221	A3	-	3	15300003	12015423	702	1,2	BLK	3		
8917527	A2		13	8917272	8905563	701	1,2	BLK	0	12124426	A3	-	5	12092803	12084561	701	1,2	GRAY	0		
8917158	A	OBSOLETE	3	2989914	8905563	701	1,2	BLK	0	12124583	A	-	4	12124583	8905563	701	1,2	GRAY	0		
8917080	A2		3	2984887	8905563	701	1,2	BLK	0	12124427	A	-	2	12129155	12084561	701	1,2	BLK	0		
8911353	B3	OBSOLETE	2	6288545	8905563	701	1,2	BLK	0												