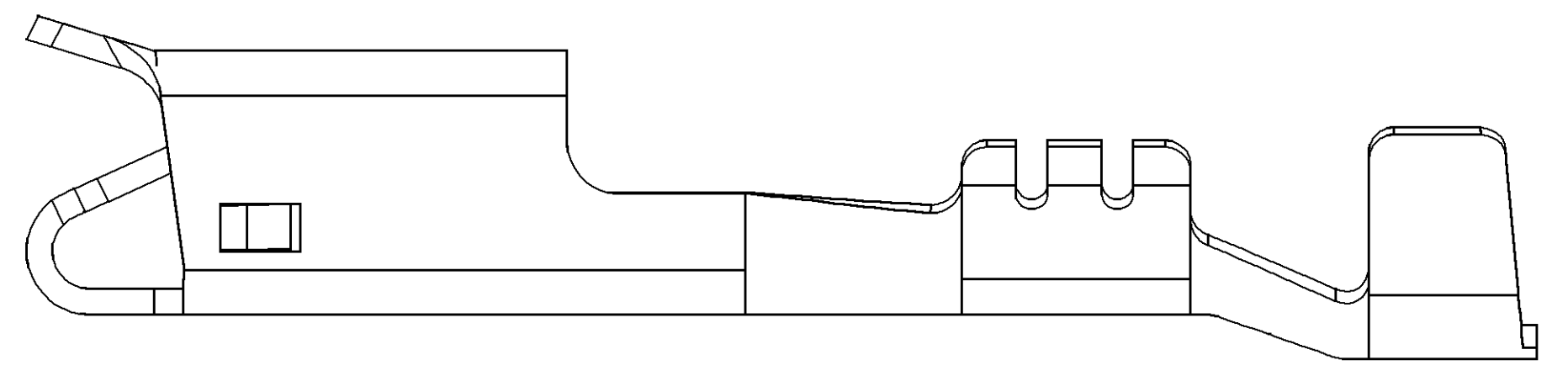
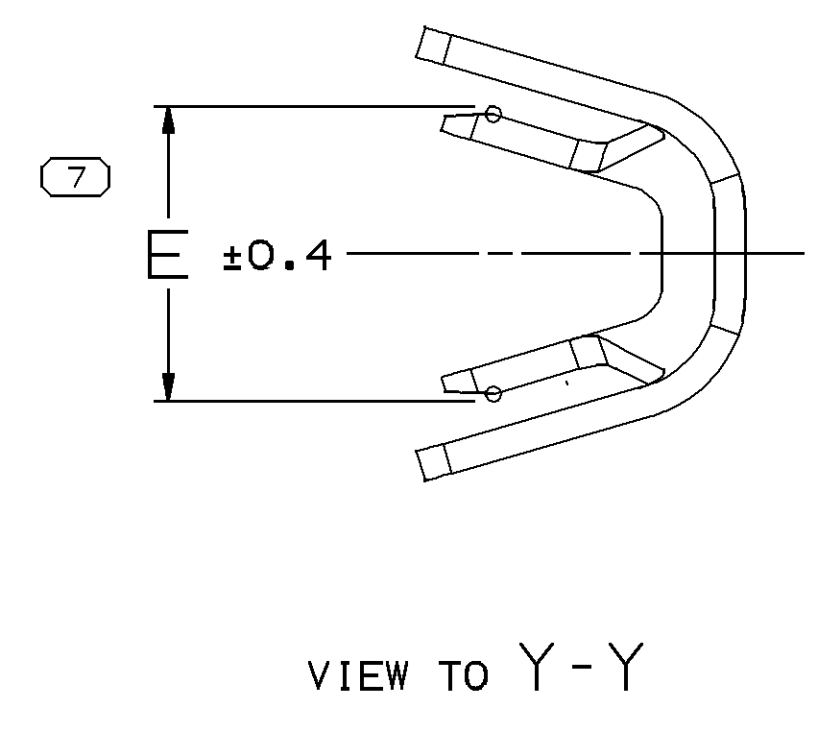
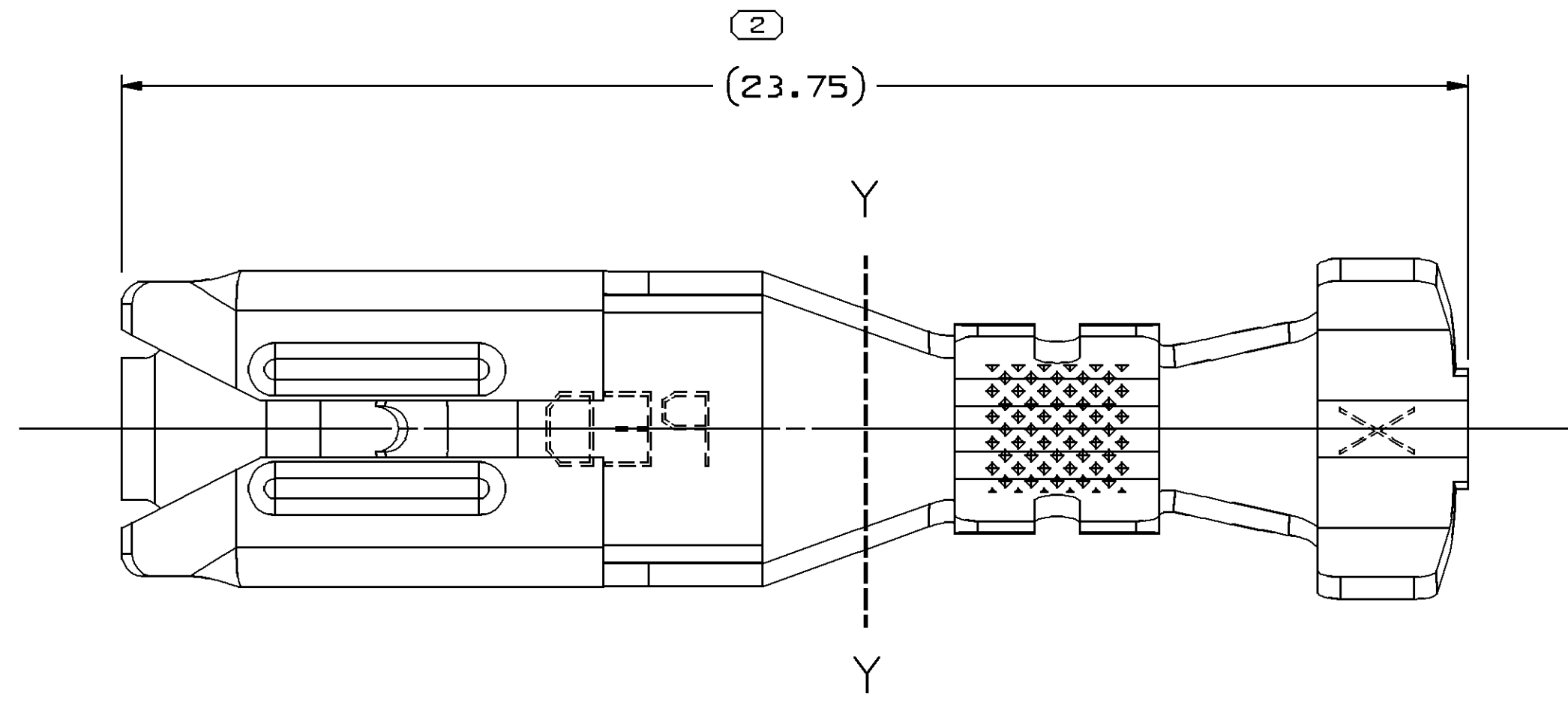
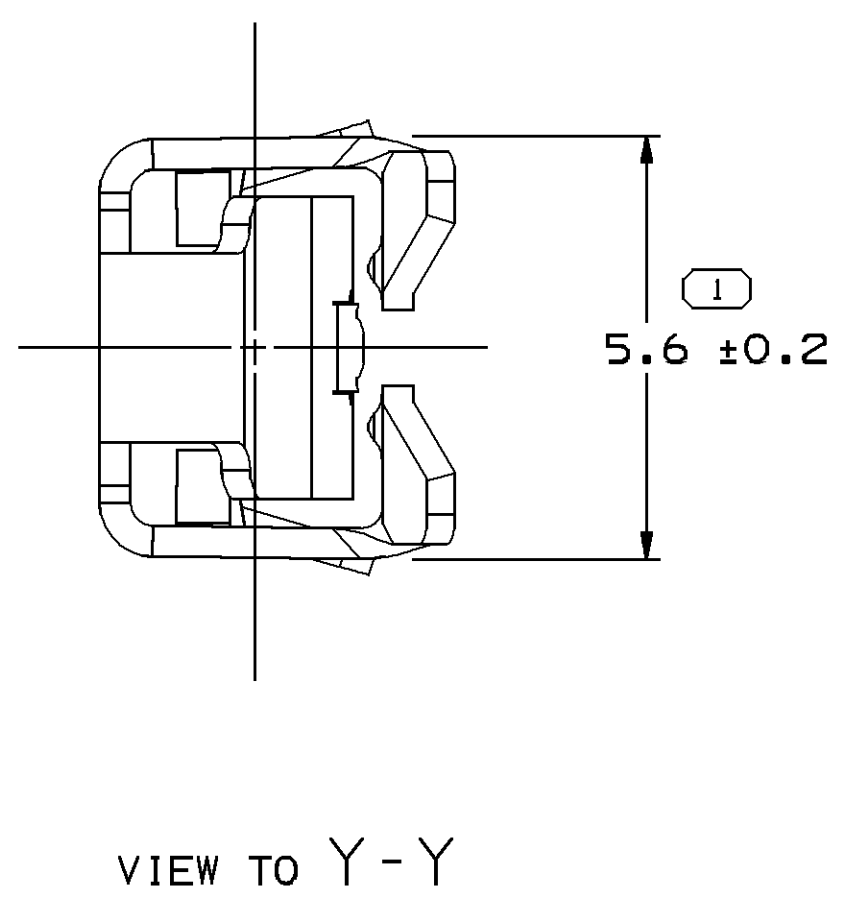
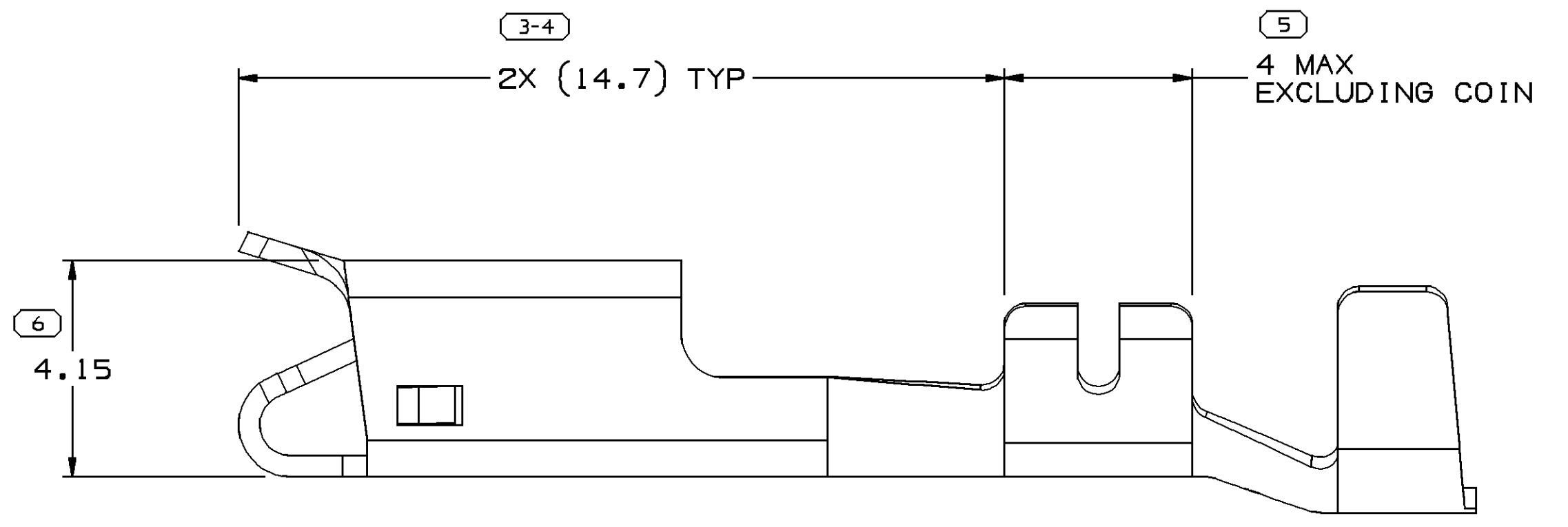


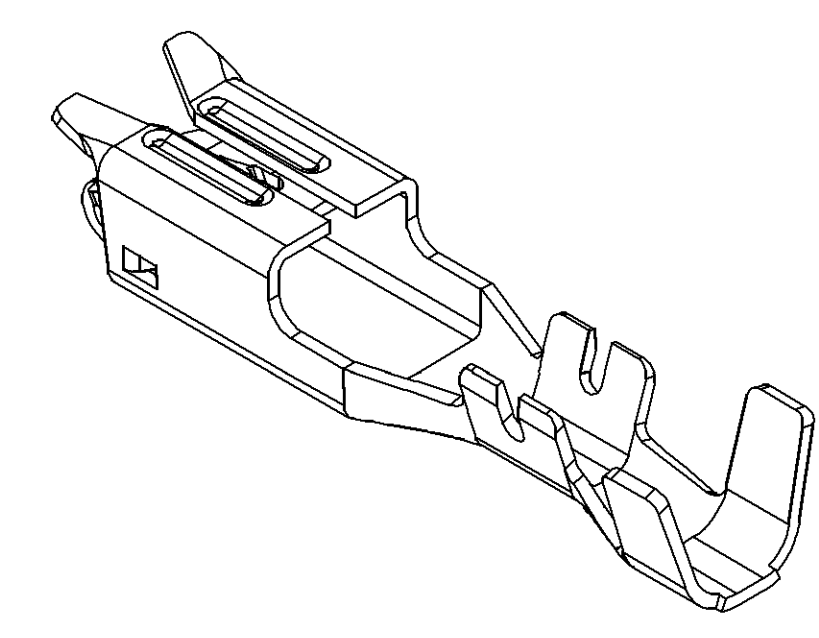
SYMBOL DEFINITION		MISSING NUMBERS		REVISION HISTORY		AUTH		AP/VD				
THE NUMBER INSIDE THE SYMBOL	TOTAL NO. OF SYMBOLS ON DRAWING	DATE	STG	REV	N/P	CHG	ZONE	DATE	BY	REV	N/P	
7	7	22MR99	R	001	--	--		15366083 - RELEASED; 12052063 & 12052066 WERE SEPARATE DWG	990005	LMM	JHV	HJR
8	8	29N000	R	002	--	--		12052063 & 12052066 WERE 12042063 & 12042066	204914	JPD	JPD	JPD
		24MY06	R	03	--	--		ALL ACTIVE PARTS - UPDATED PDM ATTRIBUTES	280890	JTZ	JAA	BD6
		01AU06	R	04	--	--		12052063 & 12052066 - MAT'L SPEC WAS P1519033	283052	MDH	JAA	MKW



TYPE 102
SAME AS TYPE 101
EXCEPT AS SHOWN



TYPE 101



VIEW SCALE DOES NOT REFLECT ACTUAL PART SIZE

- NOTES
- UNLESS OTHERWISE SPECIFIED AND/OR INDICATED:
DIMENSIONS ARE TO FACE OF VIEW SHOWN AND AUTOMATICALLY ROUNDED BY COMPUTER FOR INSPECTION. (SEE MATH MODEL FOR PRECISE DIMENSIONS.) FOR ALL OTHER DIMENSIONS NOT SHOWN BUT REQUIRED FOR TOOL BUILD, SEE MATH MODEL FOR PRECISE TOOL PATH DATA.
 - RECOMMENDED MATING BLADE 0.81 THK X 4.8 WIDE
 - DO NOT PROBE, TEST OR OTHERWISE CONTACT THE INTERIOR REGION (THE SPRING OR ANY MOVING PART) OF THIS TERMINAL. SEVERE DAMAGE CAN OCCUR, COMPROMISING THE PERFORMANCE OF THE ELECTRICAL INTERFACE.

PART NO	REV	N/P	STATUS	PART NO	REV	N/P	STATUS	MAT'L SIZE	MAT'L SPEC	SIZE (MM²)	ID	Ø	TYPE	E
15366083	01	AA		M3624033				NICKEL BARRIER/SILVER PLATE		2 - 1	15	3.97 - 2.48	101	3.7
12052066	B3	--		M1574033				NONFERROUS C42500 EX HD		0.8 - 0.5	19	3.12 - 2.03	102	3.2
12052063	B3	--		M1574033				NONFERROUS C42500 EX HD		2 - 1	15	3.97 - 2.48	101	3.7
12047568	A	--	OBSOLETE	P1519392				425 TIN BRS EX HD SN PLTD		0.8 - 0.5	19	3.12 - 2.03	102	3.2
12040974	E	--	OBSOLETE	P1519392				425 TIN BRS EX HD SN PLTD		2 - 1	15	3.97 - 2.48	101	3.7

PART DRAWING	
STYLE	D
VOLUME 10/11	DISTR CODE
UNLESS OTHERWISE SPECIFIED	
THIS DOCUMENT IS IN ACCORDANCE WITH ASME Y14.5M-1994 AS MODIFIED BY THE IN-SPEC DIMENSIONING AND TOLERANCE PRACTICES. SEPARATE MATING OF PARTS MAY BE BASED SEPARATELY PER DELPHI 1094001 REFERENCES.	
ALL DIMENSIONS ARE IN MILLIMETERS	
DIMENSIONAL RANGE (MM)	
FROM	TO
0	>12
TOLERANCE UNLESS OTHERWISE SPECIFIED	
±0.1	±0.2
ANGULAR TOLERANCE 2°	
THIRD ANGLE PROJECTION	DO NOT SCALE
USE MATH DATA	UNIMAPHICS

DELPHI
DELPHI PACKARD ELECTRIC SYSTEMS
WARREN, OH

DR	DATE
APV01 L. MACIAS	22MR99
APV02 JOSE. HUERTA	12AP99
APV03 JOSE. HUERTA	12AP99
APV04	
APV05	

SUBSTANCES OF CONCERN AND RECYCLED CONTENT PER DELPHI 1094001

MASTER/SEE CHART

DRAWING NAME
TAXI TERM F M/P 480

DRAWING NUMBER
12045885

SIZE	SCALE	FRAME NO	SHEET NO	STG	REV	N/P
A0	10:1	1	1	1	04	-