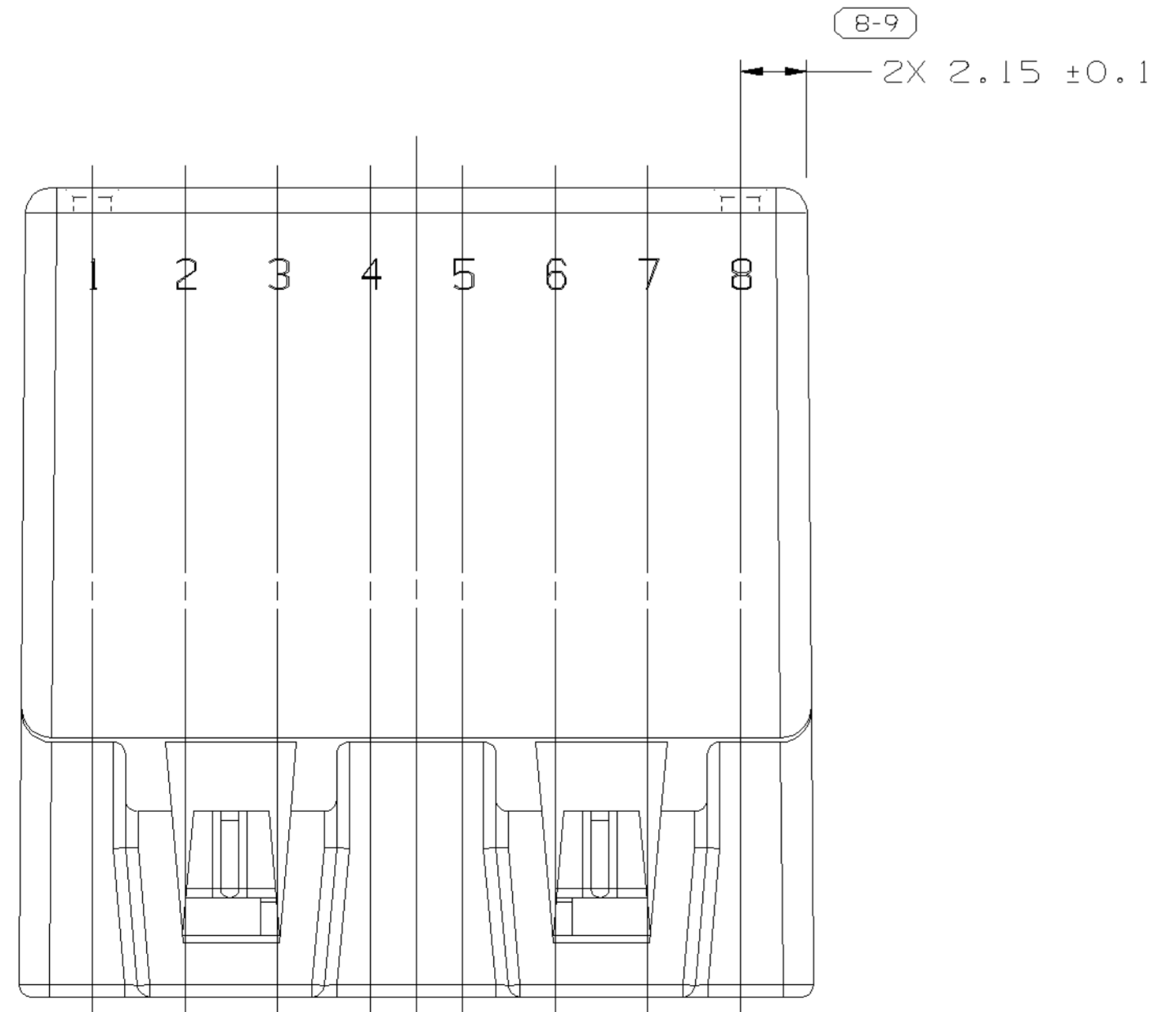
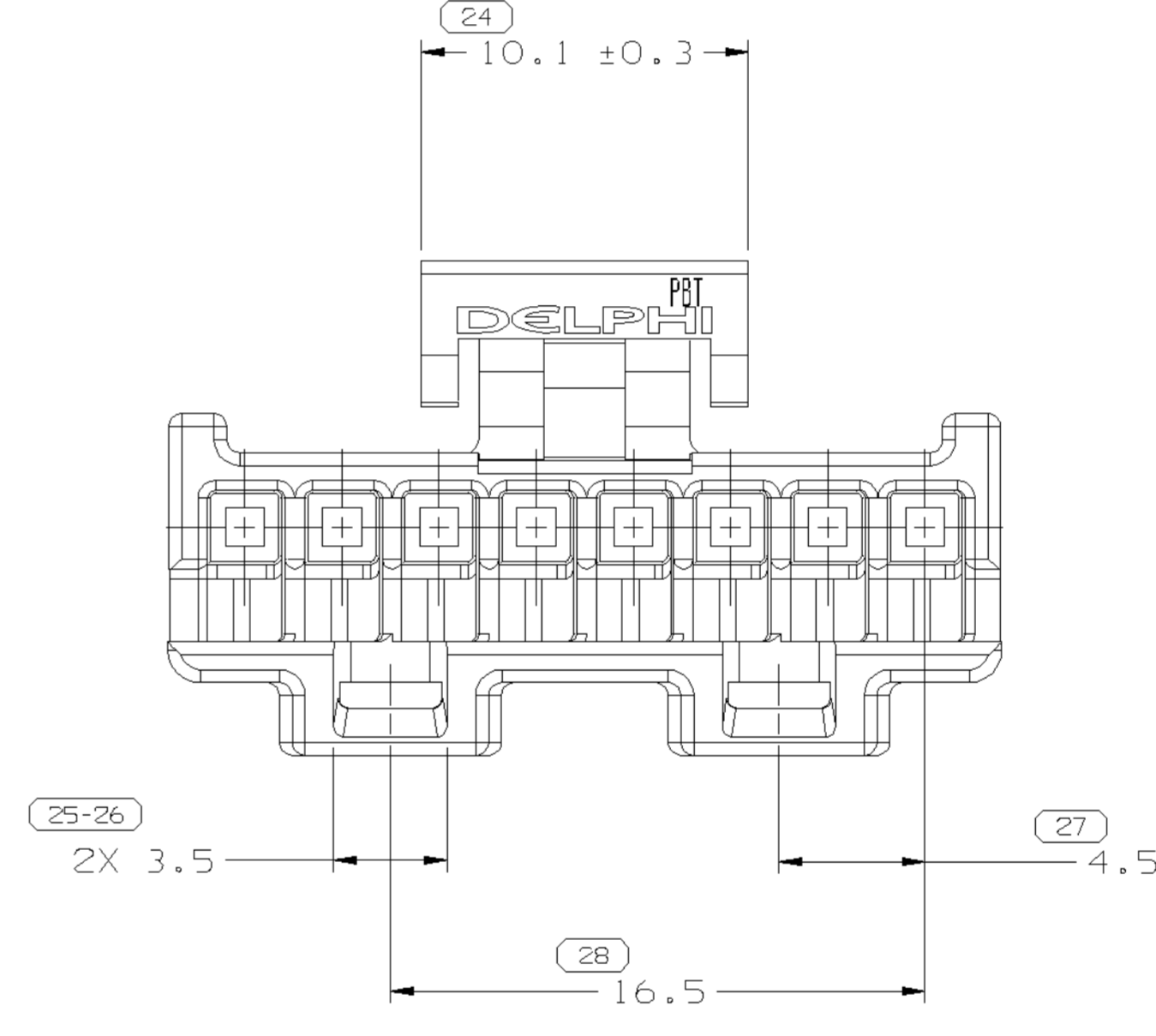
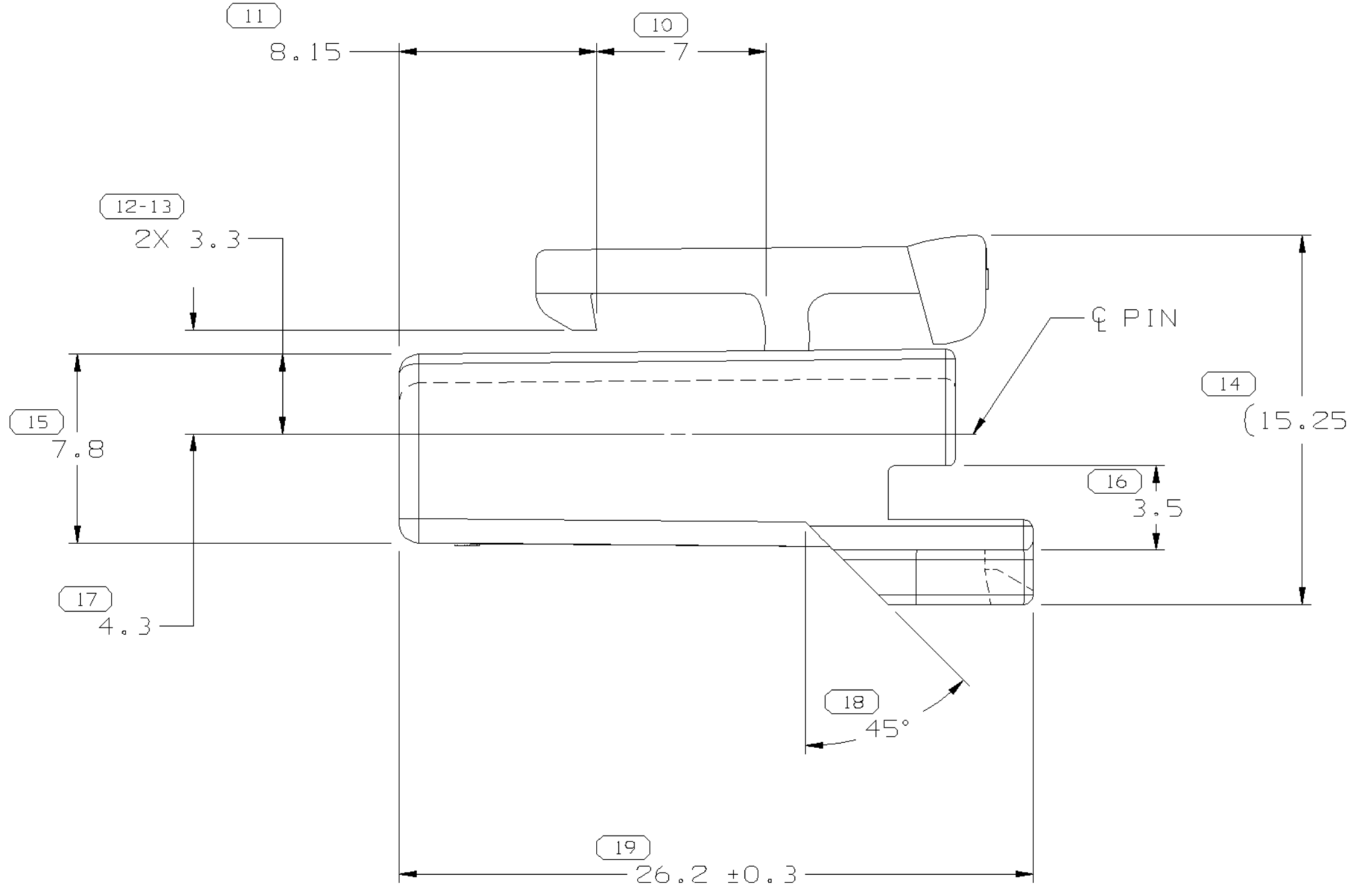
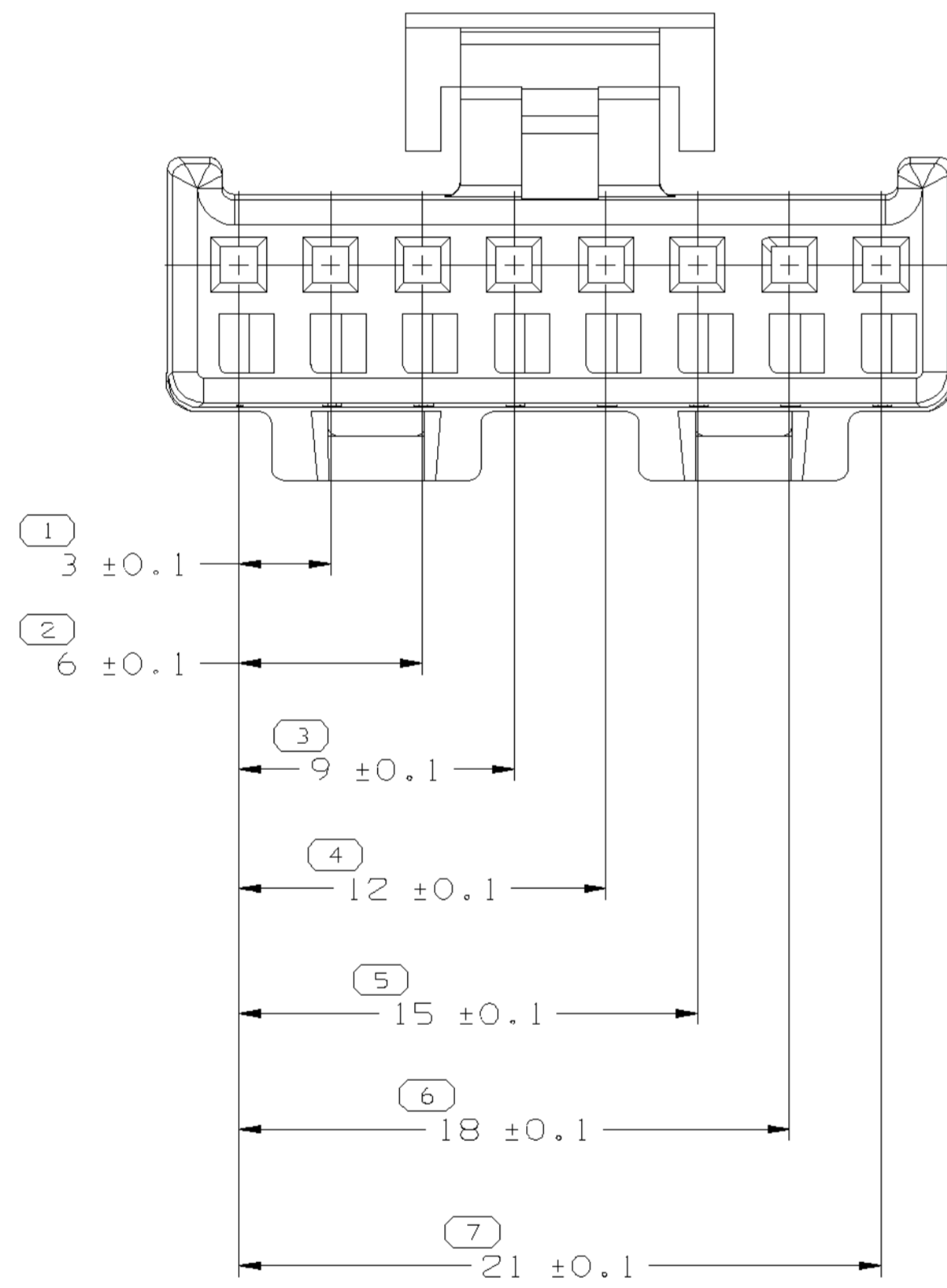
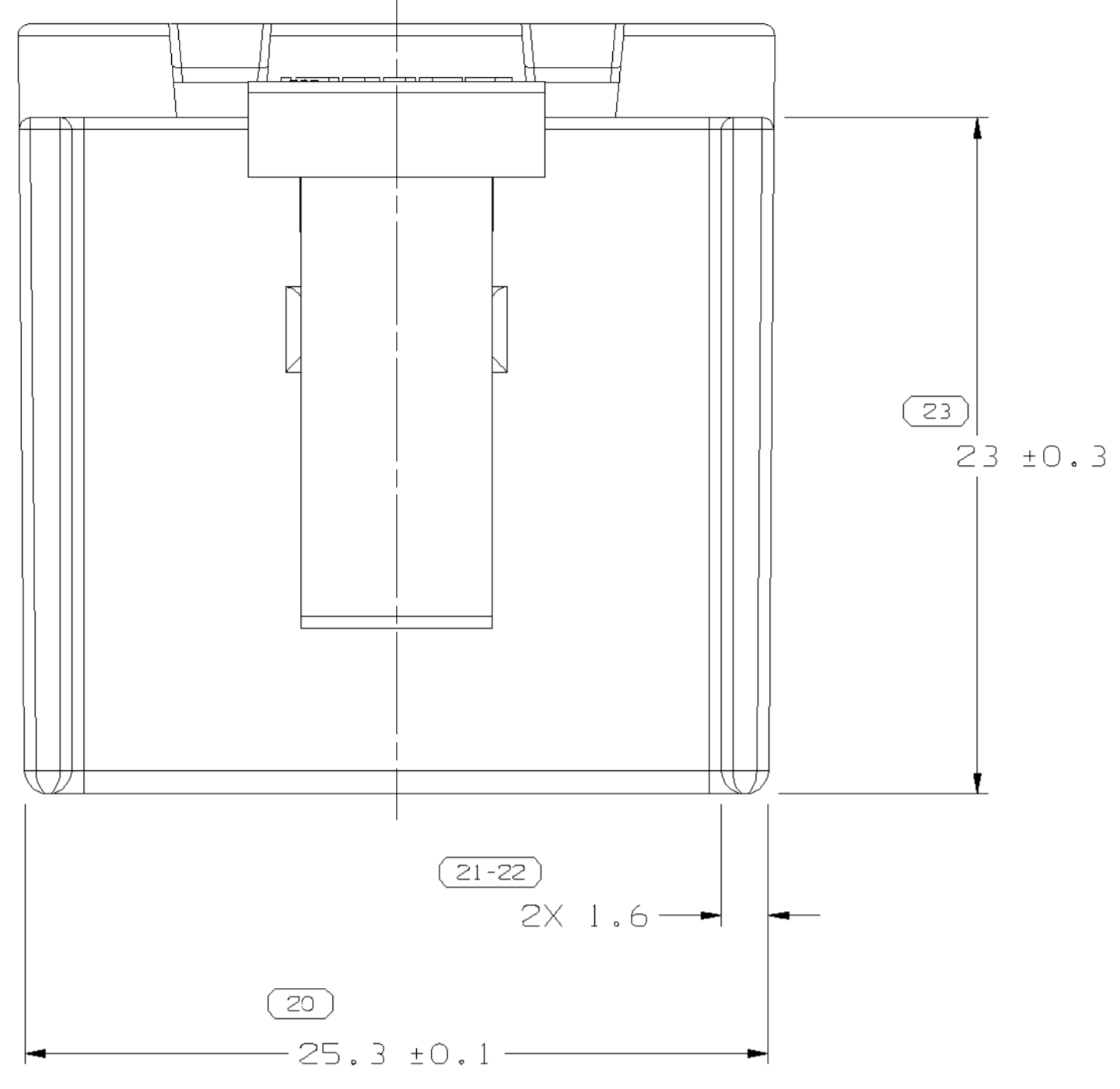
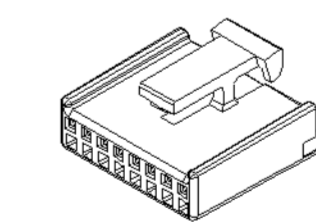


SYMBOL DEFINITION		MISSING NUMBERS	
THE NUMBER INSIDE THE SYMBOL CORRESPONDS TO THE NUMBER ON THE INSPECTION REPORT FOR THIS DRAWING/PART NUMBER	TOTAL NO. OF SYMBOLS ON DRAWING	24	
	LAST NO. USED	28	

DWG STATUS				REVISION HISTORY				AUTH		
DATE	STG	REV	CHG	N/P	ZONE	ADDED DELPHI LOGO, NOTES 2 AND 5 & REVISED MAT'L SPEC	222647	LEG	SEG	60
27MR02	R	05	-	-						



- NOTES
- UNLESS OTHERWISE SPECIFIED AND/OR INDICATED: DIMENSIONS ARE TO FACE OF VIEW SHOWN AND AUTOMATICALLY ROUNDED BY COMPUTER FOR INSPECTION (SEE MATH MODEL FOR PRECISE DIMENSIONS). FOR ALL OTHER DIMENSIONS NOT SHOWN BUT REQUIRED FOR TOOL BUILD, SEE MATH MODEL FOR PRECISE TOOL PATH DATA.
 - MATERIAL RECYCLING CODE >PBT< PER SAE J1344. (2.3)X(0.1) RAISED CHARACTERS AS SHOWN TO BE LOCATED ON ANY EXTERIOR SURFACE. OPTIONAL CONSTRUCTION TO BE NO MATERIAL RECYCLING CODE.
 - MATING COMPONENTS OR EQUIVALENT: CONNECTOR 12052447
 - THIS PART ACCEPTS THE FOLLOWING COMPONENTS OR EQUIVALENT: TERMINAL 12089660 MAX INSULATION CRIMP MUST BE LESS THAN 2.3 HIGH AND 3.5 WIDE. SECONDARY LOCK 12052446 MAX CABLE O.D. 2.4 (REFER TO ESA-605 FOR CRIMP DIMENSIONS)
 - (2.3)X(0.1) RAISED DELPHI CORPORATE BRAND TO BE LOCATED ON ANY EXTERIOR SURFACE, PREFERABLY VISIBLE AT FINAL ASSEMBLY. OPTIONAL CONSTRUCTION TO BE "PED" OR NO LOGO.



DELPHI Automotive Systems			
MATERIAL SPEC M4695002 PBT BLK			
SUBSTANCES OF CONCERN AND RECYCLED CONTENT PER DELPHI-A 10949001			
PART DRAWING			DISTR CODE D
CODE NUMBER 6901	DWG DATE 30NOB84	SCALE 5:1	
OC SPEC	STYLE	VOLUME cm ³ 2.664	
PART GEOMETRY		UNLESS OTHERWISE SPECIFIED: THIS DOCUMENT IS IN ACCORDANCE WITH ASME Y14.5M - 1994 AS AMENDED BY THE GM GLOBAL DIMENSIONING AND TOLERANCING ADDENDUM - 1997. ALL GEOMETRIC TOLERANCES AND RELATED DATUMS APPLY RFS, RULE #1 (PERFECT FORM AT MMC) DOES NOT APPLY WHEN RELATIONSHIP BETWEEN FEATURES IS ESTABLISHED BY ORIENTATION OR LOCATION TOLERANCES. SEPARATE POSITION CALLOUTS MAY BE GAGED SEPARATELY REGARDLESS OF DATUM REFERENCES.	
COPY OF MATH DATA DO NOT SCALE		REFERENCE	DATE
		APVD1 L.E. TURKSON	19DEB4
		APVD2 F. HESTON	07DEB4
		APVD3 B. SERBIN	18JAB5
		APVD4	
		APVD5	
METRIC UNLESS OTHERWISE SPECIFIED, ALL DIMENSIONS ARE IN MILLIMETERS		THIRD ANGLE PROJECTION	
		DRAWING NAME CONN 8F MIC/P 100	

DIMENSIONAL RANGE (MM)		TOLERANCE UNLESS OTHERWISE SPECIFIED	
FROM	TO	TOLERANCE	ANGULAR TOLERANCE ± 2'
0	> 20	± 0.15	
> 20	> 30	± 0.2	
> 30	> 70	± 0.3	
> 70	> 100	± 0.4	
> 100	> 150	± 0.5	
> 150	> 200	± 0.6	
> 200	> 250	± 0.8	
> 250	> 300	± 1	
> 300	> 400	± 1.2	

SHEET NUMBER OF		DRAWING NUMBER 12052444		DWG STATUS		SIZE
				STG	REV	N/P
				R	D5	-