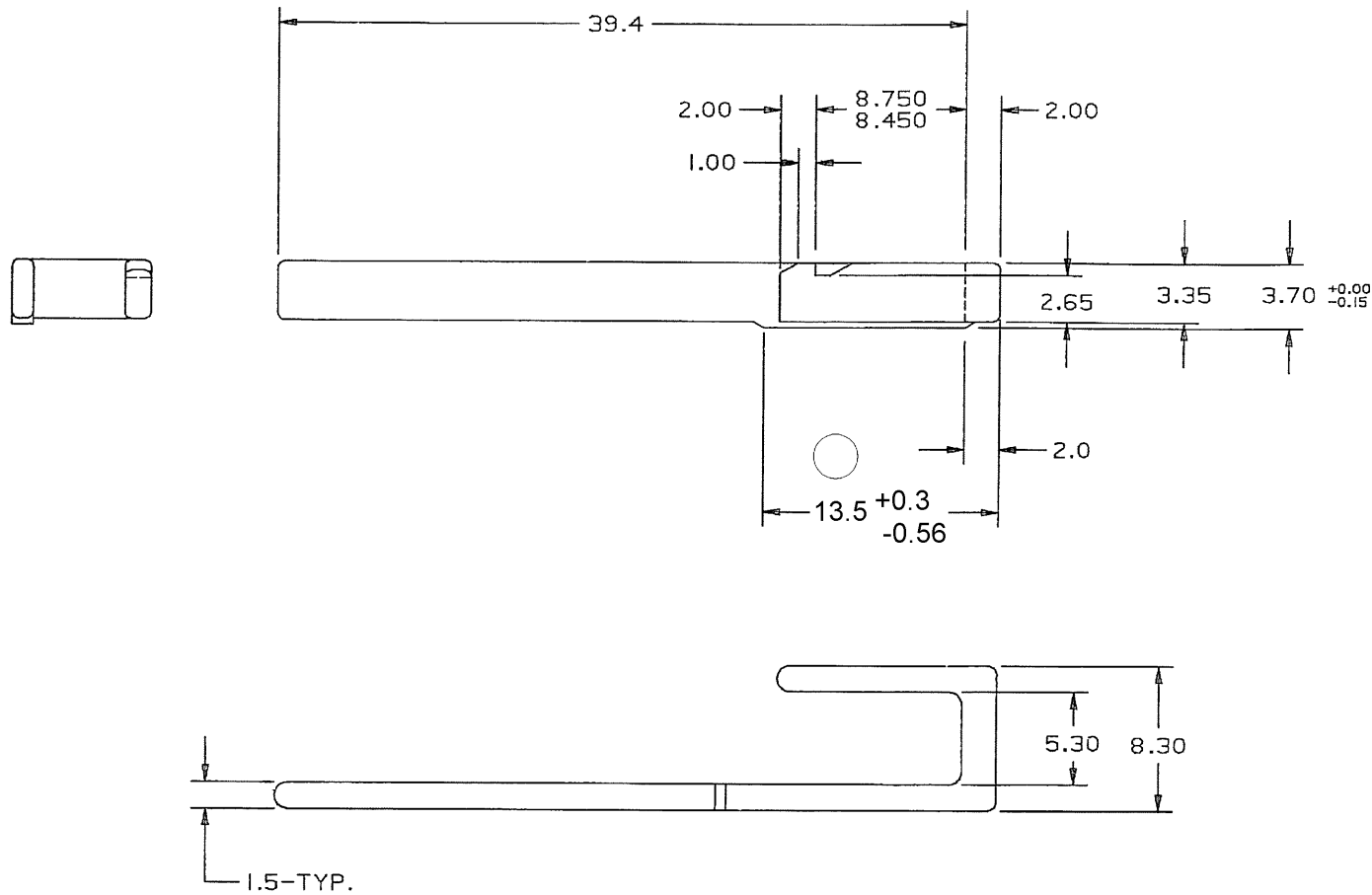


D

DO NOT SCALE

DATE	SYM	REVISION RECORD	AUTH	DR	CK
29MR06	A2	CREATED PART DRAWING AND UPDATED MAT'L SPEC	279138	JTZ	JAA
12MY06	A3	13.5 +0.3/-0.56 WAS 13.5	280545	GPS	JAA



DRAWING NO.
1205 9297

METRIC
DIMENSIONS ARE IN MILLIMETRES
UNLESS OTHERWISE SPECIFIED

NOTES - 1. ALL RADII 0.40, UNLESS OTHERWISE SPECIFIED.
2. MATES WITH 12059296 OR EQUIVALENT.

RONART (WMC)	
P.N.C. CODE C06D2476	
CODE NO. 6901	TOLERANCE UNLESS OTHERWISE SPECIFIED DECIMAL: ANGULAR ± 2° ONE PLACE ± 0.3 TWO PLACE ± 0.15
QC -R-4017	DR. J. TRONCOSO
DWG. DATE 21MR84	SCALE 4:1
EST. NO.	CK. J. ALVARADO DATE 12AP06
REFERENCE NO.	APPR. E. TRACEY DATE 18AP06
MATERIAL SPEC M4695001 PBT NAT	
NAME SECONDARY LOCK	
THIRD ANGLE PROJECTION	PART NO. 1205 9297
	SIZE C

CD.M.LOCK.12059297

