

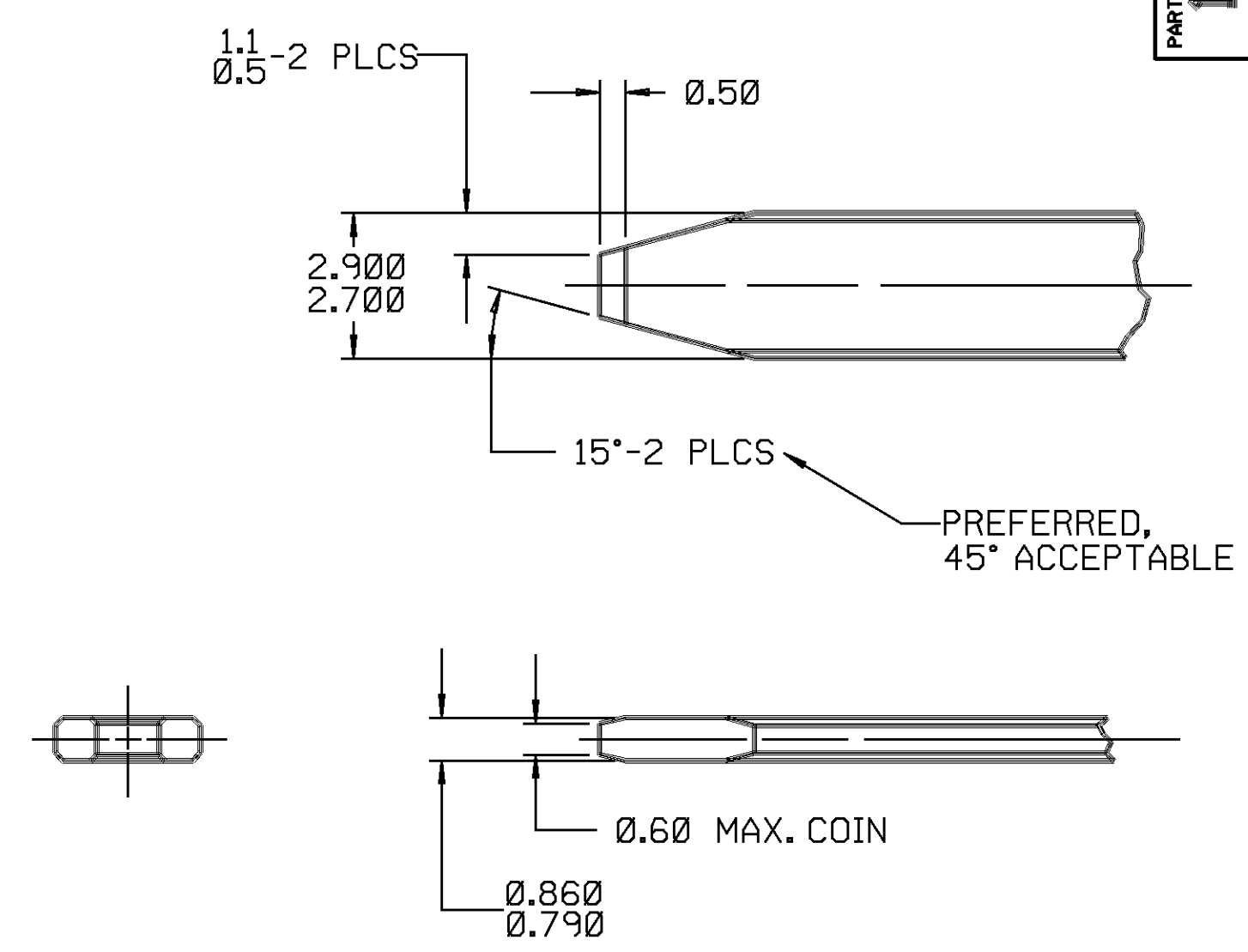
THIS DRAWING AND DESIGN HEREON CONSTITUTES A PROPRIETARY DESIGN OF PACKARD ELECTRIC DIVISION AND IS NOT TO BE DUPLICATED OR REPRODUCED WITHOUT AUTHORITY OF PACKARD ELECTRIC DIVISION.

DO NOT SCALE

PART NO. 1205 9612

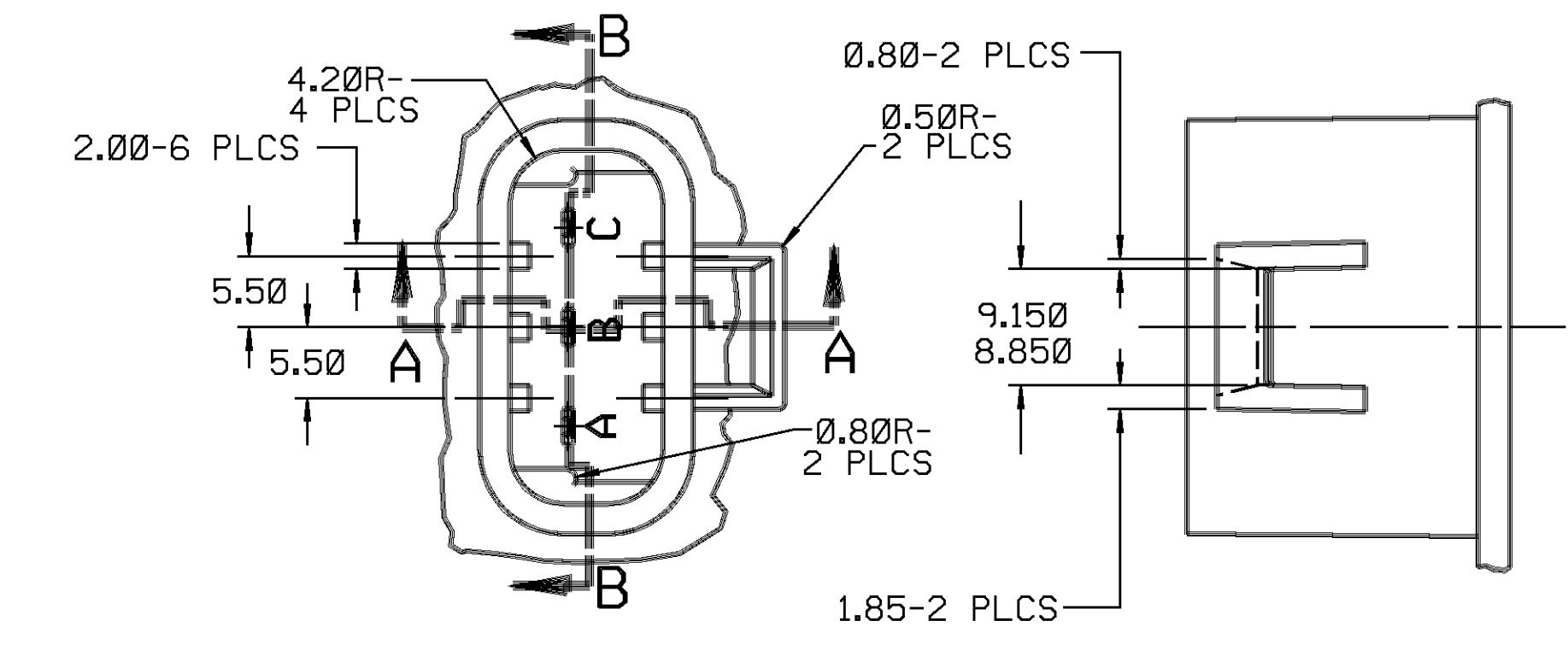
PART NO. 1205 9612

DATE	SYM	REVISION RECORD	AUTHORITY	DR	CK
25SE85	A	CAVITY LETTERS ADDED		EM	RG
13DE85	-	RELEASED	85005	EM	RG
11SE87	-	ADDED NOTE #7	115623	BB	

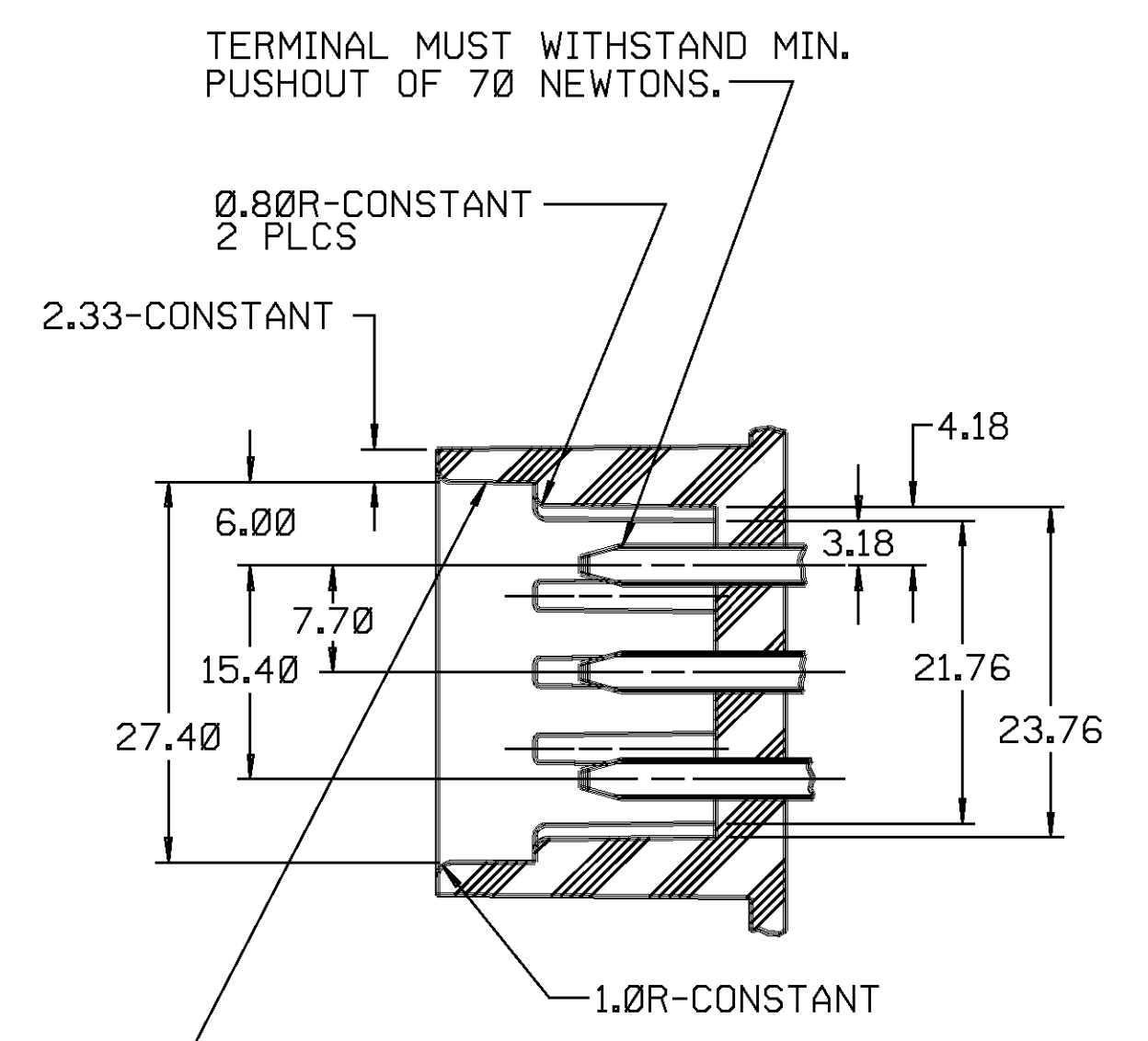


MATING TERMINAL INFORMATION
(SCALE 8:1)

RECOMMENDED MATERIAL : P-1546 (CA210) BRASS.
EXTRA SPRING TEMPER - TIN PLATED.
PLATING THICKNESS : 0.003-0.005 MM.
TENSILE STRENGTH : 430-480 MPa.
USE OF MATERIAL WITH CONDUCTIVITY ≤ 20% IACS AT 68° F SHOULD BE APPROVED BY PACKARD ELECTRIC.



SECTION A-A

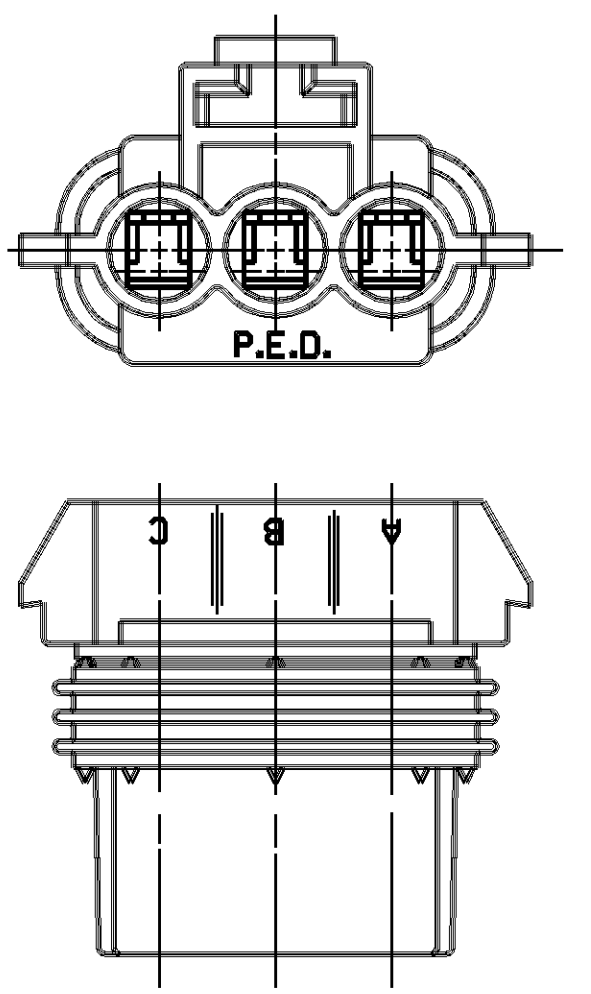
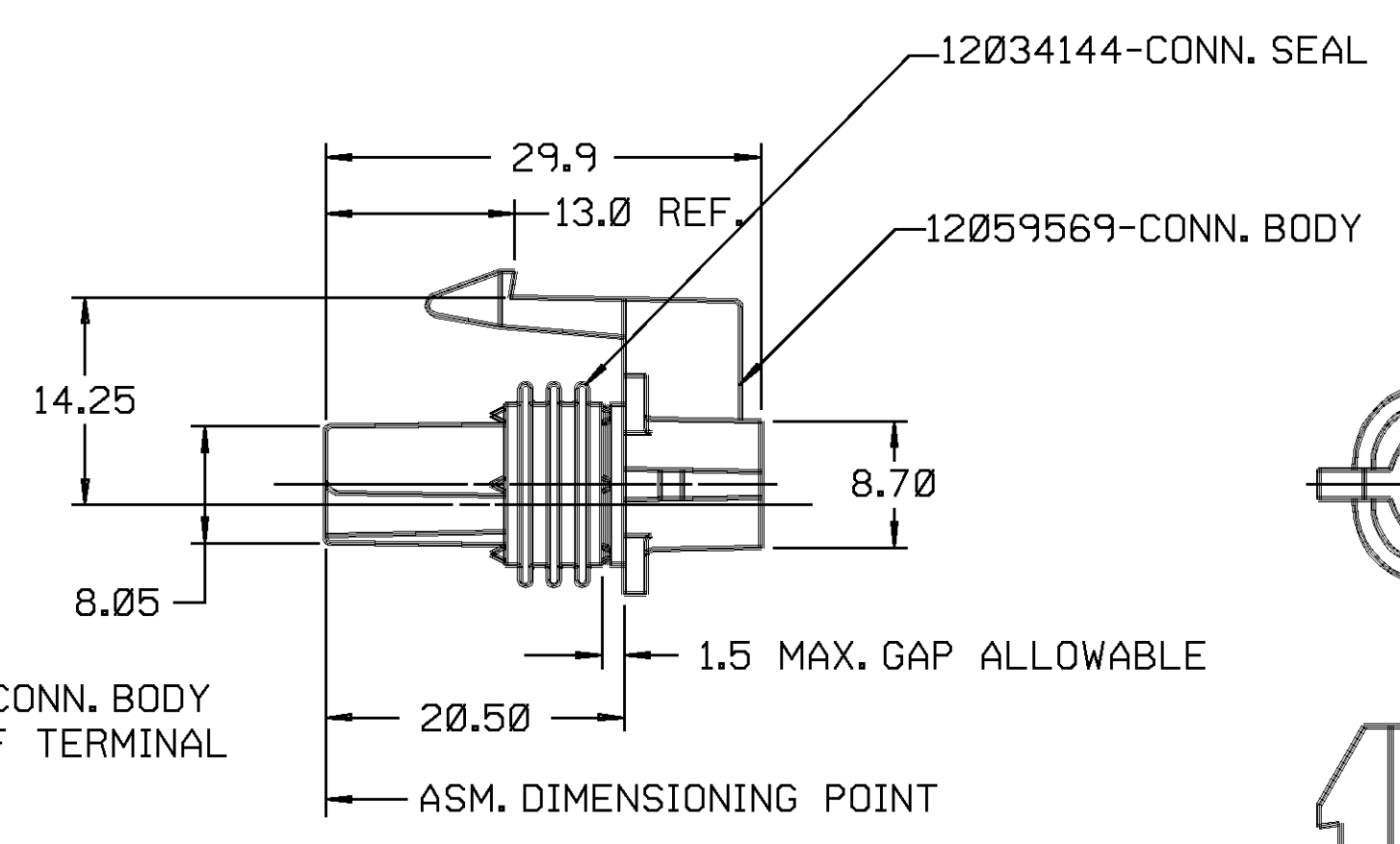
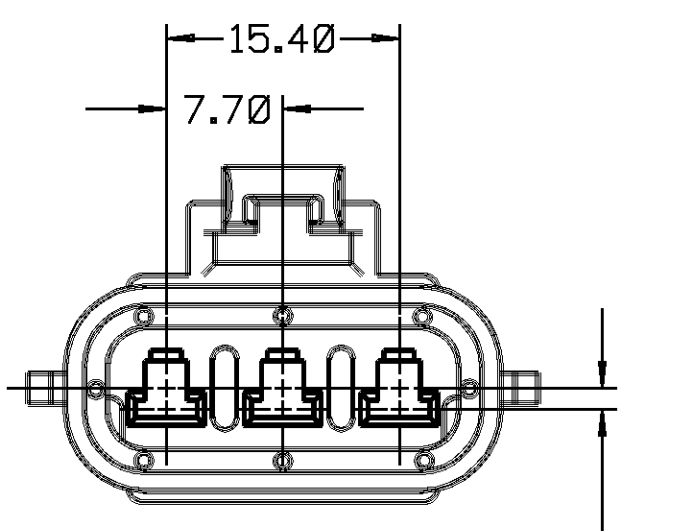
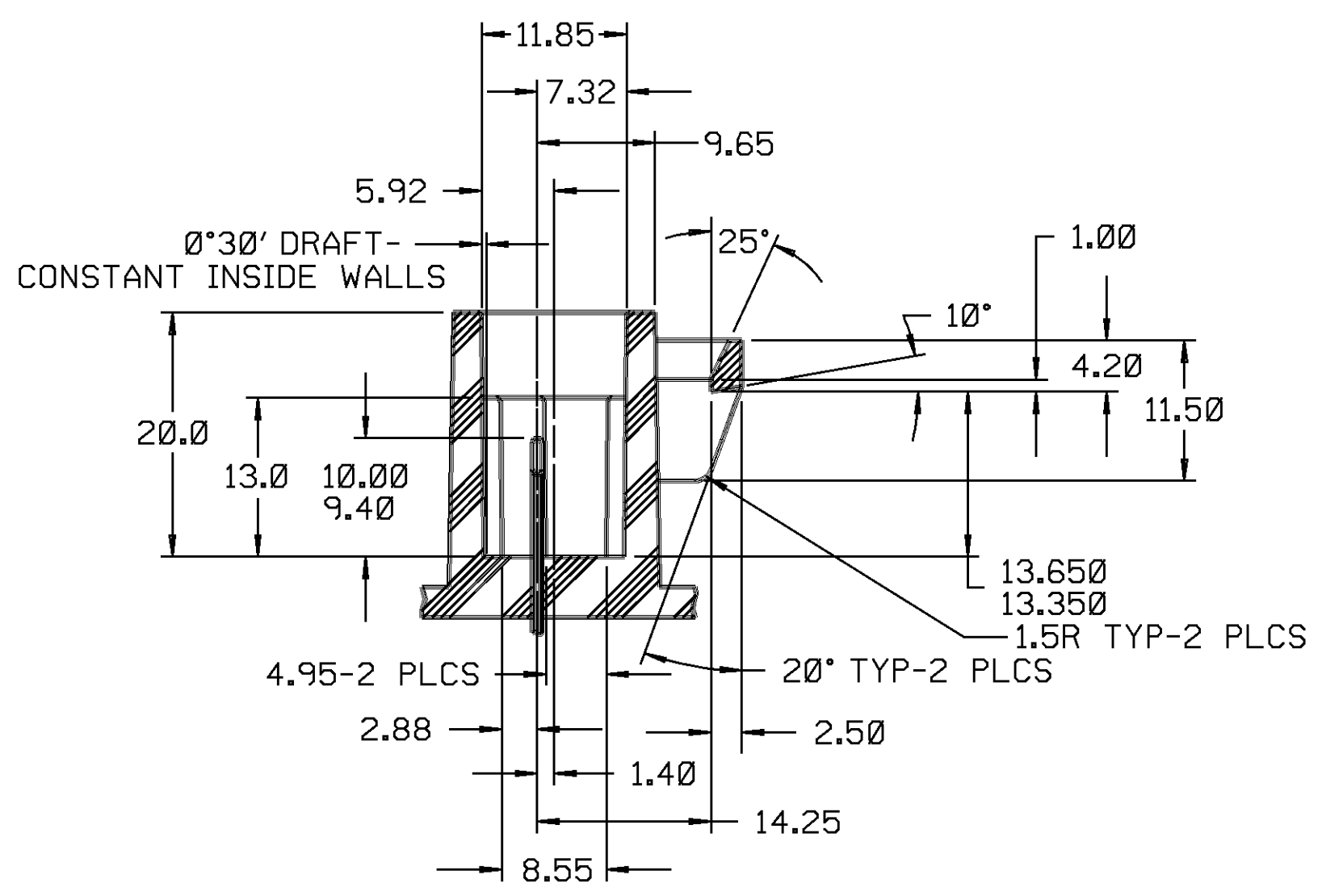
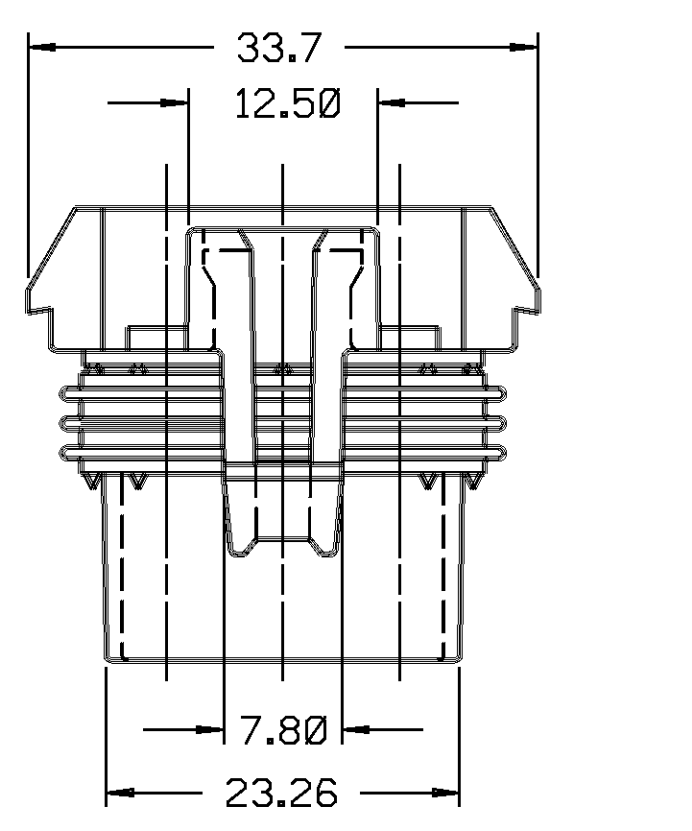


SECTION B-B

RECOMMENDED MATERIAL : GLASS FILLED POLYESTER OR TYPE 6 NYLON.

NOTES—1. DIMENSIONS ARE TO FACE OF VIEW SHOWN, UNLESS OTHERWISE SPECIFIED.
2. ALL RADII 0.40 UNLESS OTHERWISE SPECIFIED.
3. 1° DRAFT ON ALL SURFACES UNLESS OTHERWISE SPECIFIED.

MATING CONNECTOR INFORMATION



NOTES — 1. CAVITIES TO ACCEPT 12034454 TERMINAL OR EQUIVALENT.
2. THIS ASSEMBLY TO ACCEPT 15300015 SECONDARY TERMINAL LOCK OR EQUIVALENT.
3. THIS ASSEMBLY TO ACCEPT C.P.A. LOCK 12052834 OR EQUIVALENT.
4. THIS ASSEMBLY TO ACCEPT CABLE SEAL 12015323 OR EQUIVALENT.
5. THIS ASSEMBLY MATES TO DELCO PRODUCTS PART NO. 20482501 OR EQUIVALENT.
6. WHEN PARTS ARE SHIPPED, THEY MUST BE PACKED IN PLASTIC BAGS OR SHIPPING CONTAINERS MUST BE LINED WITH PLASTIC LINERS. BAGS OR LINERS MUST BE SEALED TO AVOID ENTRY OF FOREIGN MATTER.
7. SEALING CODE 3.

PIED/NIRGRAPH MICROSTATION	FILE SPEC: ***USER*** DGN#SPECIFICATION***** *****SYTIME*****
THIRD ANGLE PROJECTION	METRIC DIMENSIONS ARE IN MILLIMETERS UNLESS OTHERWISE SPECIFIED.
CODE NO. 6900	TOLERANCE UNLESS OTHERWISE SPECIFIED DECIMAL: ANGULAR ± 2 ONE PLACE ± 0.3 TWO PLACE ± 0.15
DWG. DATE 31JL85	SCALE 2:1
EST. NO.	DR. Eric W. Mign
REFERENCE NO.	CK. R. GLEASON DATE 06JA86 APPR. R. MAGA DATE 07JA86 APPR. T. CUNNINGHAM DATE 07JA86
MATERIAL SPEC.	SEE DRAWING
NAME	ASM CONN 3F M/P 280
PART NO. 1205 9612	SIZE D

PACKARD ELECTRIC DIVISION
GENERAL MOTORS CORPORATION
WARREN, OHIO

-0-1150