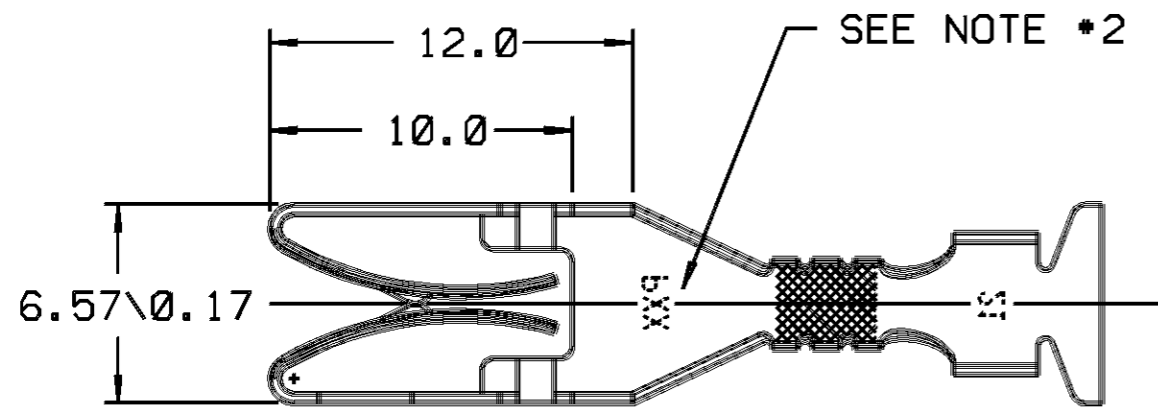


D

THIS DRAWING AND DESIGN HEREON CONSTITUTES A PROPRIETARY DESIGN OF PACKARD ELECTRIC DIVISION AND IS NOT TO BE DUPLICATED OR REPRODUCED WITHOUT AUTHORITY OF PACKARD ELECTRIC DIVISION.

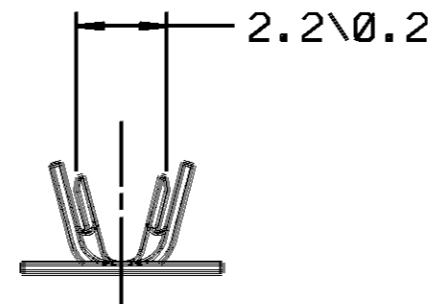
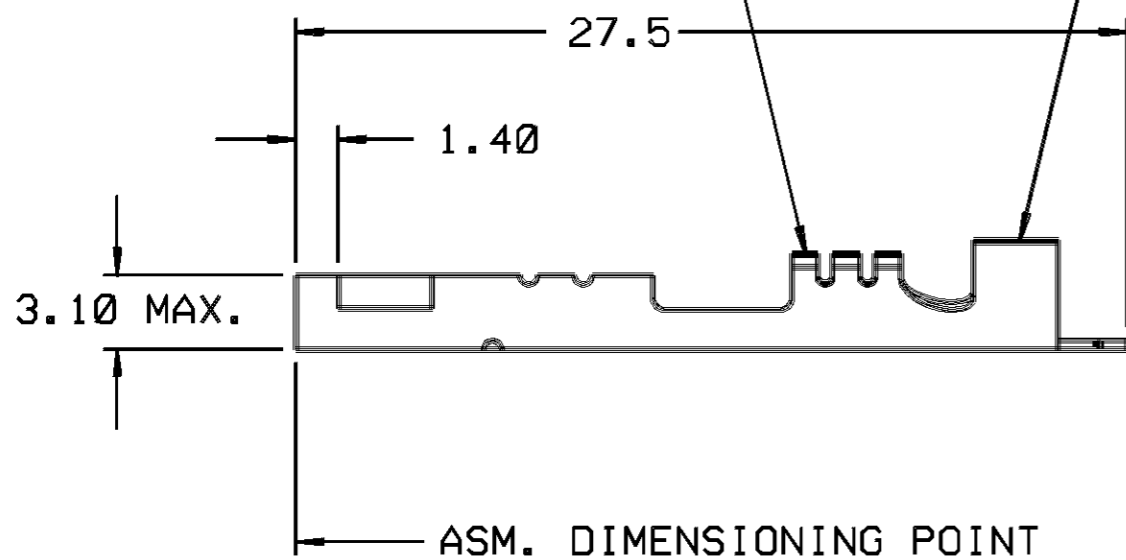
DO NOT SCALE



PART NO. 1206 6273

CORE WINGS FOR 0.50 - 0.35 MM CABLE

INSULATION WINGS FOR 2.20 MAX. INSULATION DIA.



- NOTES** — 1. TERMINAL TO BE USED IN 12015119 CONNECTOR OR EQUIVALENT.  
 2. "PXX" INDICATES "P" PLUS LAST TWO DIGITS OF MAKE SERIES NUMBER (P01, P02, P03, ETC.)

DATE	SYM	REVISION RECORD	AUTHORITY	DR	CK
27JN89	—	REDRAWN - ADDED "SEE NOTE *2",			
		NOTES 1 & 2; REVISION LEVEL			
		REMAINS AT "B".	127156	BDG	

PACKARD ELECTRIC DIVISION  
GENERAL MOTORS CORPORATION  
WARREN, OHIO

PED / <del>INTERGRAPH</del> MICROSTATION		FILE SPEC: ****USER**** DGN*SPECIFICATION***** *****SYTIME*****
THIRD ANGLE PROJECTION 		<b>METRIC</b> DIMENSIONS ARE IN MILLIMETERS UNLESS OTHERWISE SPECIFIED.
CODE NO. 6900	TOLERANCE UNLESS OTHERWISE SPECIFIED DECIMAL: ANGULAR ± 2° ONE PLACE ± 0.3 TWO PLACE ± 0.15	
Q.C.	DR. JON KRAUSE 090C86	
DWG. DATE 090C86	SCALE NONE	CK. J. COLDSNOW DATE 290C86
EST. NO.	REFERENCE NO. SHT. *1 12015157 "D" SIZE	APPR. J.R.SAVICH DATE 310C86
MATERIAL SPEC. 0.32 THK TIN BRASS - TIN PLATED		
NAME TERM P/C EDGBD STD		
PART NO.	1206 6273 OUTLINE DRAWING	SIZE B