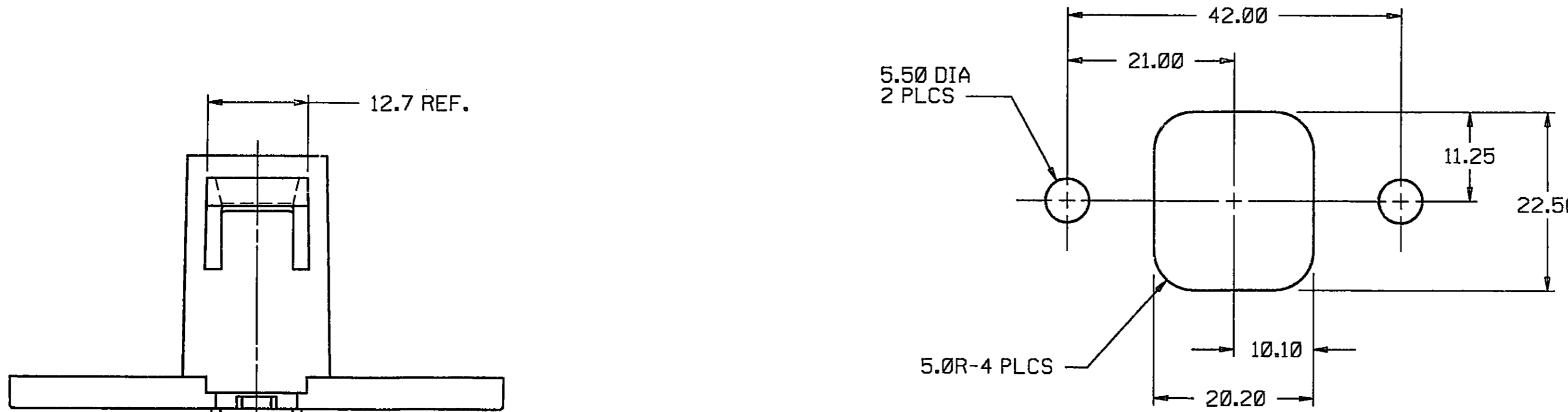
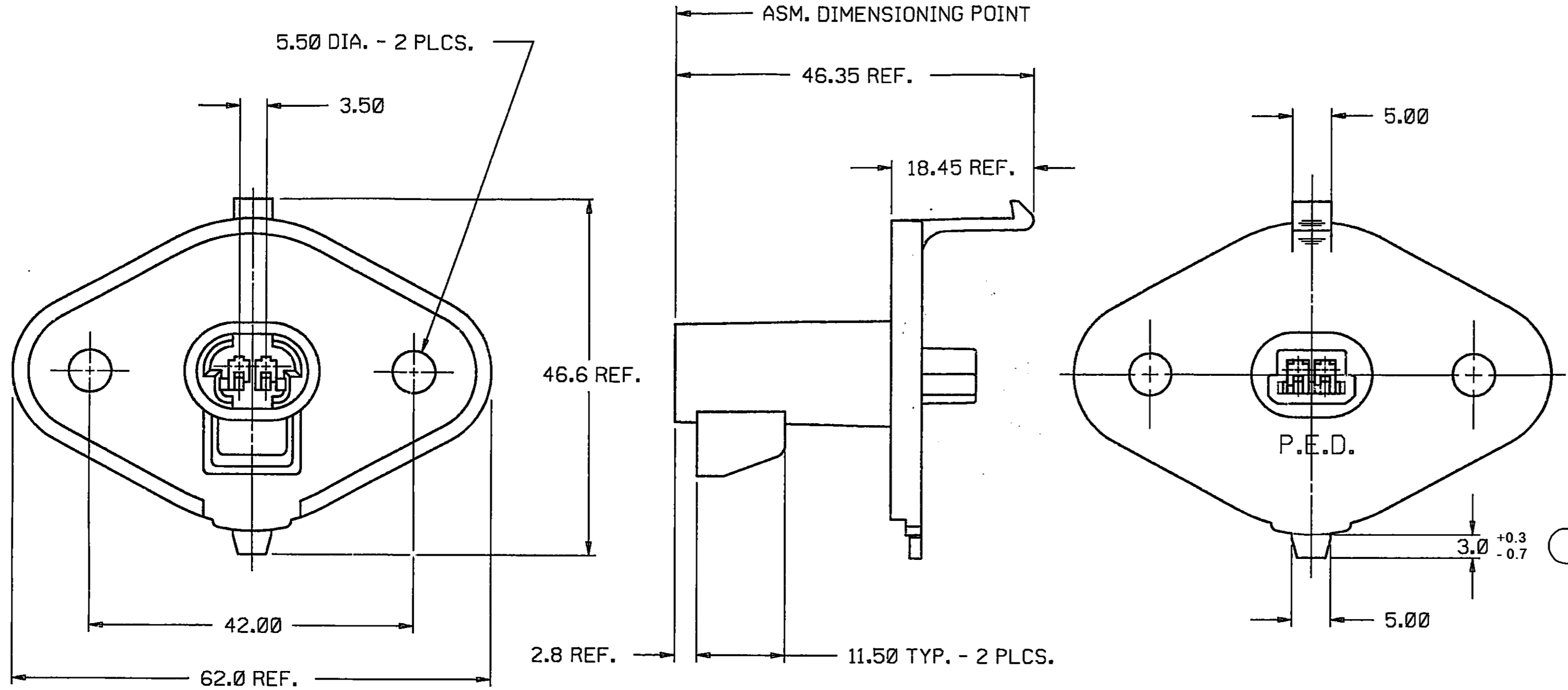


THIS DRAWING AND DESIGN HEREON CONSTITUTES A PROPRIETARY DESIGN OF PACKARD ELECTRIC DIVISION AND IS NOT TO BE DUPLICATED OR REPRODUCED WITHOUT AUTHORITY OF PACKARD ELECTRIC DIVISION.

DO NOT SCALE



MATING HOLE REQUIREMENTS

NOTES

- UNLESS OTHERWISE SPECIFIED AND/OR INDICATED:
DIMENSIONS ARE TO FACE OF VIEW SHOWN AND AUTOMATICALLY ROUNDED BY COMPUTER FOR INSPECTION (SEE MATH MODEL FOR PRECISE DIMENSIONS). FOR ALL OTHER DIMENSIONS NOT SHOWN BUT REQUIRED FOR TOOL BUILD, SEE MATH MODEL FOR PRECISE TOOL PATH DATA.
- MATERIAL RECYCLING CODE PER ISO 11469. (2.3)X(0.1) CHARACTERS AS SHOWN TO BE LOCATED ON ANY EXTERIOR SURFACE. OPTIONAL CONSTRUCTION TO BE NO MATERIAL RECYCLING CODE.
- THIS PRODUCT IS NOT CATEGORIZED AS AN APPEARANCE ITEM, MINOR IMPERFECTIONS INCLUDING, BUT NOT LIMITED TO, FLOW MARKS, COLOR BLEMISHES, GATE VESTIGE, AND SOFT FLASH THAT DO NOT AFFECT THE FIT, FORM, OR FUNCTION OF THE PART ARE PERMISSIBLE PER DPNP-4.7-CS-01.
- (2.3)X(0.1) DELPHI CORPORATE BRAND TO BE LOCATED ON ANY EXTERIOR SURFACE, PREFERABLY VISIBLE AT FINAL ASSEMBLY. OPTIONAL CONSTRUCTION FOR EXISTING TOOLING MAY BE "PED".
- FOR APPLICATION DATA SEE THE APPLICATION DRAWING.

DATE	SYM	REVISION RECORD	AUTHORITY	DR	CK
18MY87	A	PART NO WAS PE009656 & RELEASED	870005	LT	DS
16DE87	B	REVISED	117468	AL	FH
25FE88	B1	MATING HOLE INFORMATION ADDED	118552	EM	CM
04N090	C	REVISED LOCKING FEATURE	139168	GC	GC
05JA93	C1	ADVANCED REV LEVEL	152987	HH	HH
13MY93	D	REVISED LOCK ARM	155833	RLB	TPM
04AU95	D1	REMOVED "D" FROM STICKER	166165	HH	HH
28DE95	D2	REVISED MAT'L WAS M-2191-001	167554	RLB	RLB
02DE09	D3	UPDATED MAT'L CALLOUT, 3 +0.3/-0.7 WAS 3±0.3	408479	FRE	JPZ

PART NO.
1206 6609

WARNING
GEOMETRY MAY NOT BE DRAWN TO SCALE

PED/INTEGRAL		FILE: ronburn /usr2/ronburn/660901.plt
THIRD ANGLE PROJECTION		SPEC: 14-MAY-1993 16:47
CODE NO. 6901		METRIC
TOLERANCE UNLESS OTHERWISE SPECIFIED		DIMENSIONS ARE IN MILLIMETERS UNLESS OTHERWISE SPECIFIED.
DECIMAL: ONE PLACE ±0.3		ANGULAR ±2°
TWO PLACE ±0.15		
DWG. DATE: 15MY87	SCALE: NONE	DR. <i>D. Steele</i> 18MY87
EST. NO.	CK. D. STEELE	DATE 03JN87
REFERENCE NO. 12066609 "E" SIZE	APPR. D. BRANTINGHAM	DATE 04JN87
MATERIAL SPEC. POLYESTER COMPOUND BLACK		
NAME: CONN 2M M/P 150		
PART NO. 1206 6609	OUTLINE DRAWING	SIZE C