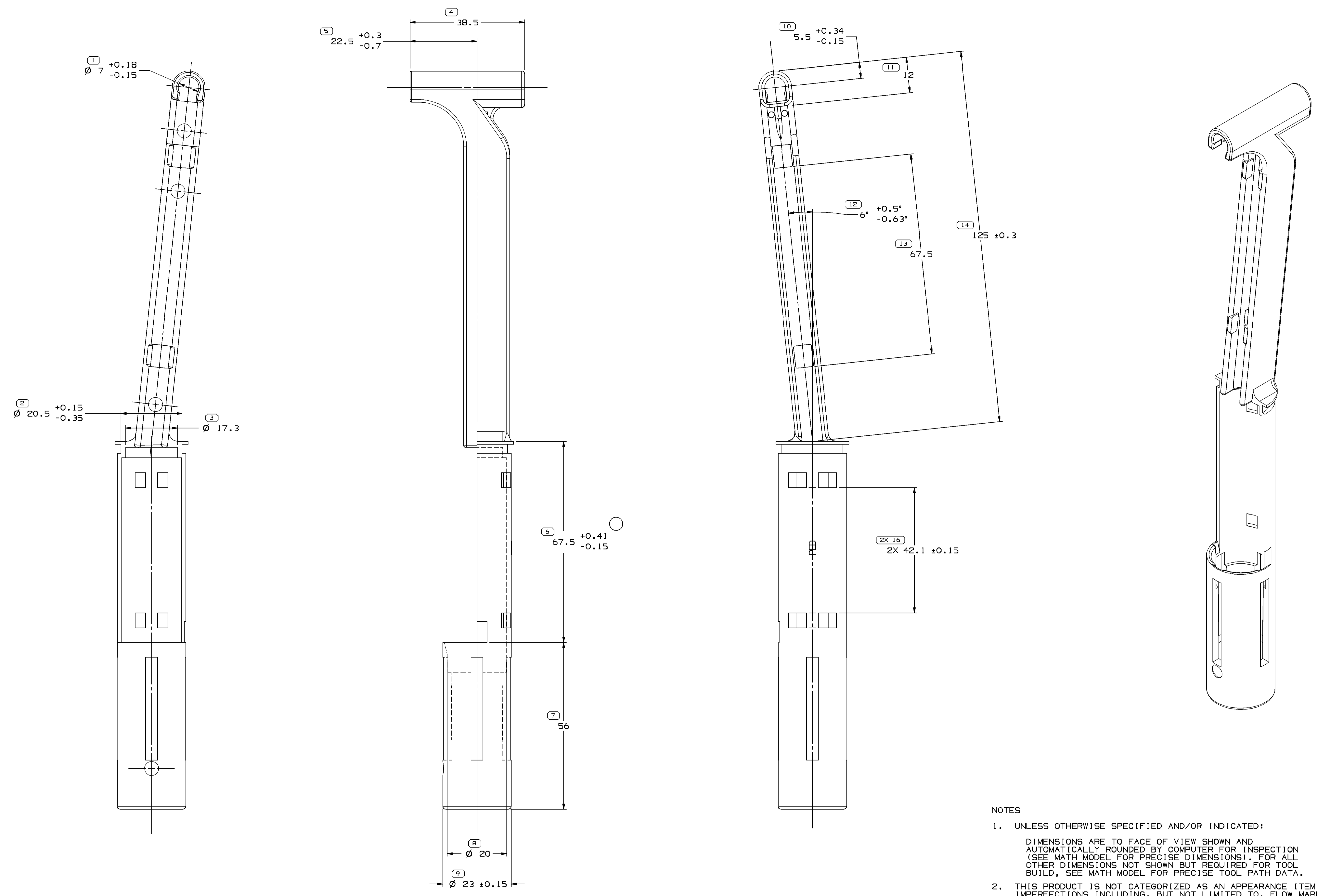


SYMBOL DEFINITION		TOTAL NO OF INSPECTIONS REQUIRED	MISSING SYMBOLS
A DIMENSION WITHOUT AN INSPECTION REPORT SYMBOL DOES NOT REQUIRE INSPECTION. IT MAY BE CONTROLLED ON THE INDIVIDUAL COMPONENT DRAWING.		16	15
		LAST NO. USED	16

DWS STATUS				REVISION HISTORY				AUTH	DR	APVD	APVD
DATE	STG	REV	IN/P	CHG	ZONE						
05MR09	R	D2	-	-		REDRAWN TO PD	407335	LMC	FRO	JPZ	
22SE09	R	D3	-	-		67.5 +0.41/-0.15 WAS 67.5 ±0.15 AND REMOVED NO FLASH NOTE	408977	FRE	FRE	JPZ	



NOTES

- UNLESS OTHERWISE SPECIFIED AND/OR INDICATED:
DIMENSIONS ARE TO FACE OF VIEW SHOWN AND AUTOMATICALLY ROUNDED BY COMPUTER FOR INSPECTION (SEE MATH MODEL FOR PRECISE DIMENSIONS). FOR ALL OTHER DIMENSIONS NOT SHOWN BUT REQUIRED FOR TOOL BUILD, SEE MATH MODEL FOR PRECISE TOOL PATH DATA.
- THIS PRODUCT IS NOT CATEGORIZED AS AN APPEARANCE ITEM, MINOR IMPERFECTIONS INCLUDING, BUT NOT LIMITED TO, FLOW MARKS, COLOR BLEMISHES, GATE VESTIGE, AND SOFT FLASH THAT DO NOT AFFECT THE FIT, FORM, OR FUNCTION OF THE PART ARE PERMISSIBLE PER DPNP 4.7-CS-01.
- THIS PART IS NOT CONTROLLED FOR AUTOMATIC FEEDING.
- THIS PART ACCEPTS THE FOLLOWING COMPONENTS OR EQUIVALENT:
COVER - 12084646
- (2,3)X(0,1) DELPHI CORPORATE BRAND TO BE LOCATED ON ANY EXTERIOR SURFACE, PREFERABLY VISIBLE AT FINAL ASSEMBLY. OPTIONAL CONSTRUCTION FOR EXISTING TOOLING MAY BE "PED" OR NO LOGO.
- MATERIAL RECYCLING CODE PER ISO 11469. (2,3)X(0,1) CHARACTERS AS SHOWN TO BE LOCATED ON ANY EXTERIOR SURFACE. OPTIONAL CONSTRUCTION TO BE NO MATERIAL RECYCLING CODE.

DIMENSIONAL RANGE (MM)	CHART SET
FROM > 0	> 20
TO 20	30
	70
	100
	150
	200
	250
	300
	400

UNLESS OTHERWISE SPECIFIED
TOLERANCE UNLESS OTHERWISE SPECIFIED
ANGULAR TOLERANCE ±2°

PART DRAWING	
STYLE	21.873
VOLUME (OMP)	D
DISTR CODE	
UNLESS OTHERWISE SPECIFIED	
THIS DOCUMENT IS IN ACCORDANCE WITH ASME Y14.5M-1994 AS MODIFIED BY THE 2003 SUPPLEMENT AND TELEPRACTICE ADDENDUM-2001. SEPARATE PATTERNS OF FEATURES MAY BE SHOWN SEPARATELY, REGARDLESS OF DATUM REFERENCES.	
ALL DIMENSIONS ARE IN MILLIMETERS	
REFERENCE	
THIRD ANGLE PROJECTION	DO NOT SCALE USE MATH DATA

DELPHI
DELPHI PACKARD ELECTRICAL/ELECTRONIC ARCHITECTURE
WARREN, OH

DR	DATE
APV01 L. MARTIR	05MR09
APV02 FCO. RESENDIZ	05MR09
APV03 J.P. ZAMORA	05MR09
APV04	

SUBSTANCES OF CONCERN AND RECYCLED CONTENT PER DELPHI 10949901

MATERIAL: POLYAMIDE COMPOUND BLACK

DRAWING NAME: MOUN STIFFENER

DRAWING NUMBER: 12084645

SHEET NO	REV	IN/P
1 OF 1	R	D3