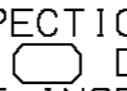
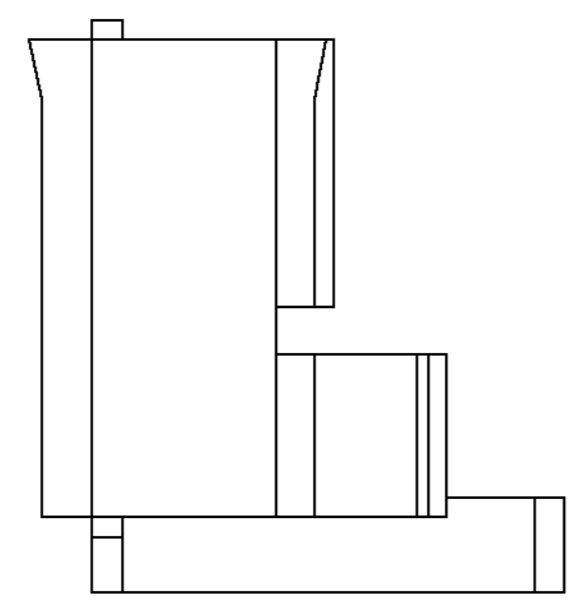
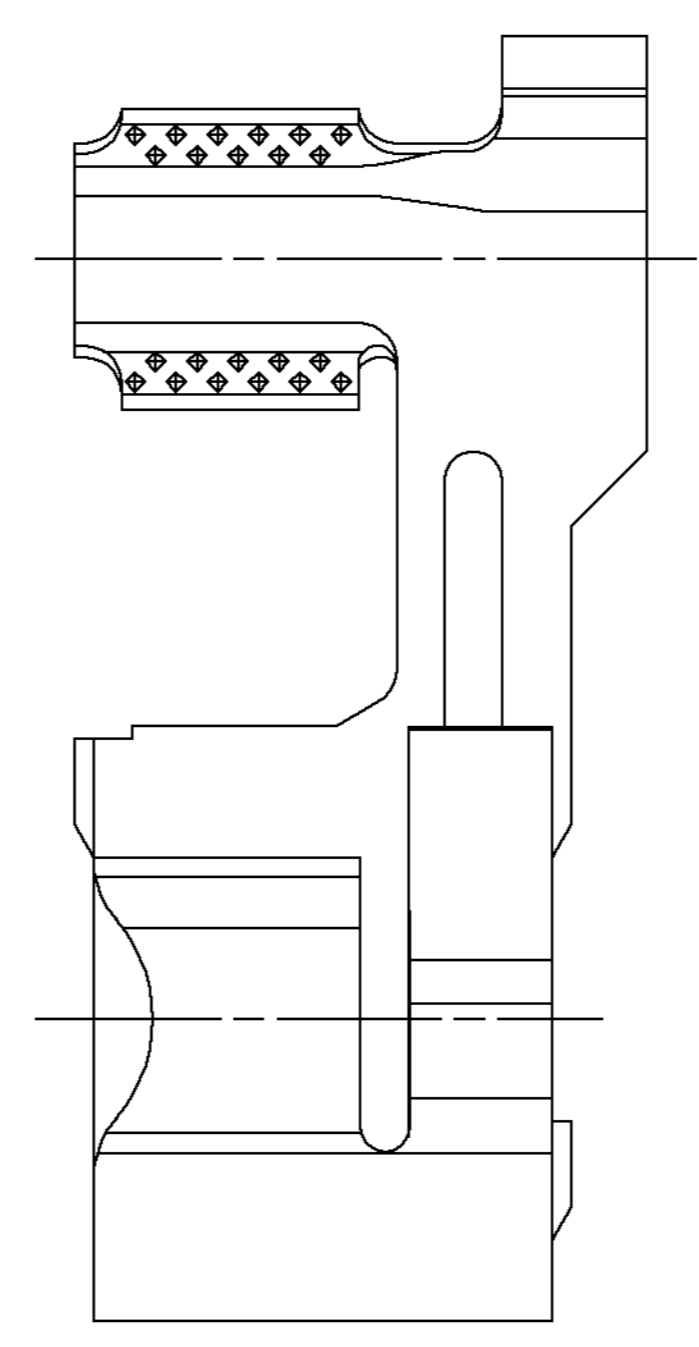
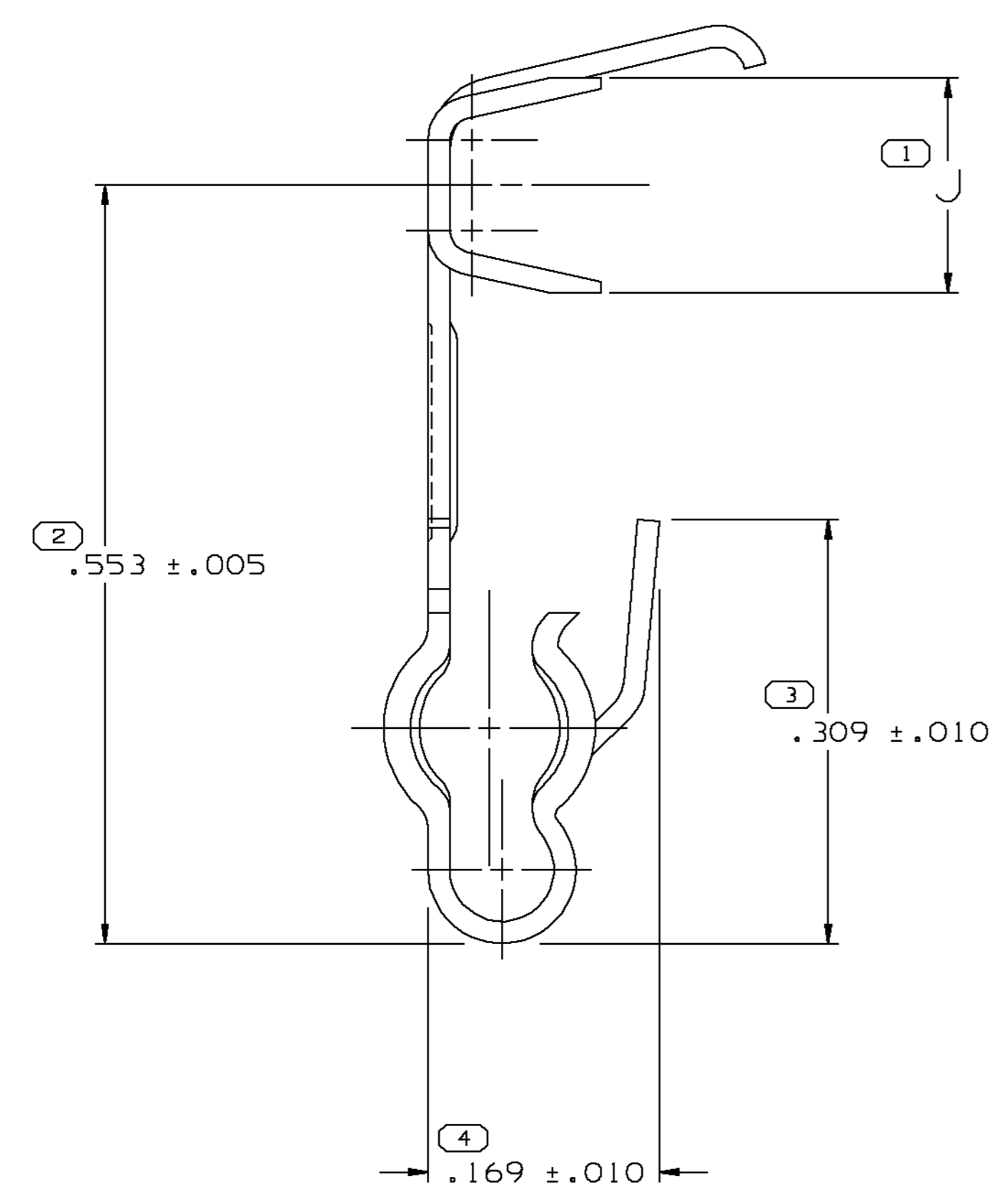


DELPHI PACKARD ELECTRIC SYSTEMS
WARREN, OHIO 44486

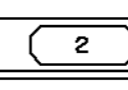
SYMBOL DEFINITION		MISSING NUMBERS	
A DIMENSION WITHOUT AN INSPECTION REPORT SYMBOL  DOES NOT REQUIRE INSPECTION. IT MAY BE CONTROLLED ON AN INDIVIDUAL COMPONENT DRAWING	TOTAL NO. OF SYMBOLS ON DRAWING	4	
	LAST NO. USED	4	

DWG STATUS				ZONE	REVISION HISTORY			AUTH	DR	CK	APVD	
DATE	STG	REV	CHG	N/P								
25AP01	R	001	-	-		12089448 - MAT'L SPEC WAS PM001519-474			208987	RVP	RVP	RC



NOTES
1. UNLESS OTHERWISE SPECIFIED AND/OR INDICATED: DIMENSIONS ARE TO FACE OF VIEW SHOWN AND AUTOMATICALLY ROUNDED BY COMPUTER FOR INSPECTION (SEE MATH MODEL FOR PRECISE DIMENSIONS). FOR ALL OTHER DIMENSIONS NOT SHOWN BUT REQUIRED FOR TOOL BUILD, SEE MATH MODEL FOR PRECISE TOOL PATH DATA.

PART NO	REV	N/P	STATUS	MAT'L SIZE	MAT'L SPEC	PART NO	REV	N/P	STATUS	MAT'L SPEC	SIZE (MM ²)	DIA
				.016 X 1.125		12089449	E1			PM001519-025	0.5	2.20/1.70
				.016 X 1.171		12089448	E2			P1519474	1.0 - 0.8	2.70/1.90
				.016 X 1.343		12089447	E1			PM001519-280	5.0	4.50/3.90
				.016 X 1.250		12089446	E1			PM001519-026	3.0 - 2.0	3.70/2.50

 PROCESS SENSITIVE DIMENSION
DIMENSIONS ENCLOSED IN () INDICATE REFERENCE DIMENSIONS AND NO TOLERANCE LIMITS ARE ESTABLISHED

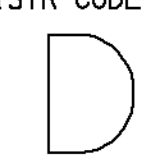
DIMENSIONAL RANGE (IN) CHART J		
FROM	0	> .500
TO	.500	
TOLERANCE UNLESS OTHERWISE SPECIFIED		
	±.005	±.010
ANGULAR TOLERANCE ± 2°		

DELPHI
Automotive Systems


MATERIAL SPEC
SEE CHRT

SUBSTANCES OF CONCERN AND RECYCLED CONTENT PER DELPHI-A 10949001

PART DRAWING

CODE NUMBER 6900	DWG DATE 21APB9	SCALE 10:1	
QC SPEC	STYLE	VOLUME In ³ SEE CHRT	

PART GEOMETRY

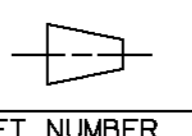


CHANGE RESTRICTED
NO MANUAL CHANGES

COPY OF MATH DATA
DO NOT SCALE

ENGLISH
UNLESS OTHERWISE SPECIFIED, ALL DIMENSIONS ARE IN INCHES

THIRD ANGLE PROJECTION



DRAWING NAME

TERM F P/G RT ANG

SHEET NUMBER 1 OF 1	DRAWING NUMBER 12089445	DWG STATUS STG REV N/P R 001 -	SIZE A1
------------------------	----------------------------	--------------------------------------	------------