

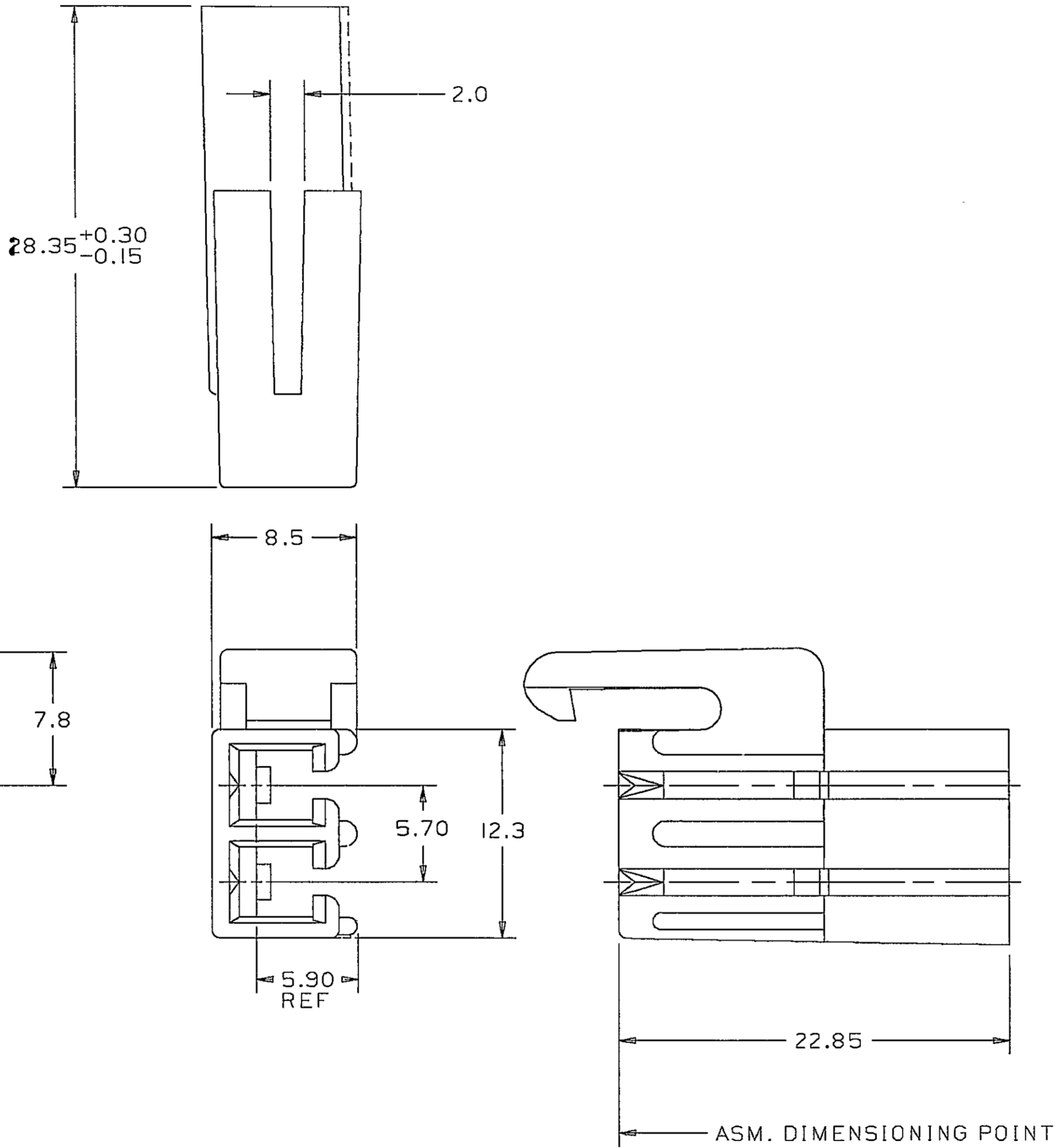
D

THIS DRAWING AND DESIGN HEREON CON-
STITUTES A PROPRIETARY DESIGN OF
PACKARD ELECTRIC DIVISION AND IS NOT
TO BE DUPLICATED OR REPRODUCED WITH-
OUT AUTHORITY OF PACKARD ELECTRIC
DIVISION.

DO NOT SCALE

DATE	SYM	REVISION RECORD	AUTH	DR	CK
040C88	A	RELEASED	880005	AP	BAR
24AU90	B	REVISED MATERIAL SPEC.	136099	JS	JS
110C95	-	MATERIAL SPEC WAS POLYESTER - RED	167559	FH	FH

PACKARD ELECTRIC DIVISION
GENERAL MOTORS CORPORATION
WARREN, OHIO



- NOTES** — 1. CAVITIES TO ACCEPT TERMINAL I20I0624 OR EQUIVALENT.
 2. MAXIMUM CABLE DIA. FOR CAVITIES - 3.12 MM.
 3. MATING CONNECTOR DRC I98746 MODULE.
 4. INSULATION CRIMP DIMENSIONS NOT TO EXCEED 2.8 HIGH X 3.7 WIDE.

DRAWING NO.
1209 2002

As of 06JL90 this drawing is no longer being maintained on computer vision.

METRIC
DIMENSIONS ARE IN MILLIMETERS UNLESS OTHERWISE SPECIFIED

THIRD ANGLE PROJECTION

CODE NO. 6900	TOLERANCE UNLESS OTHERWISE SPECIFIED DECIMAL: ONE PLACE ± 0.3 TWO PLACE ± 0.15	ANGULAR ± 2°
QC		
DWG. DATE 040C88	SCALE NONE	DR. <i>A. Pisano</i> 040C88
CD.C.MP.F.2.12092002.0D	CK. <i>B. Ruberto</i>	DATE 130C88
REFERENCE NO. 12047858 'D' SIZE	APPR. <i>F. MAGA</i>	DATE 180C88
MATERIAL SPEC. R0100110 PBT IM-RED		
NAME CONN 2F M/P 280 P2S		
PART NO. 1209 2002 OUTLINE DRAWING	SIZE C	

C03D1568

PACKARD ELECTRIC