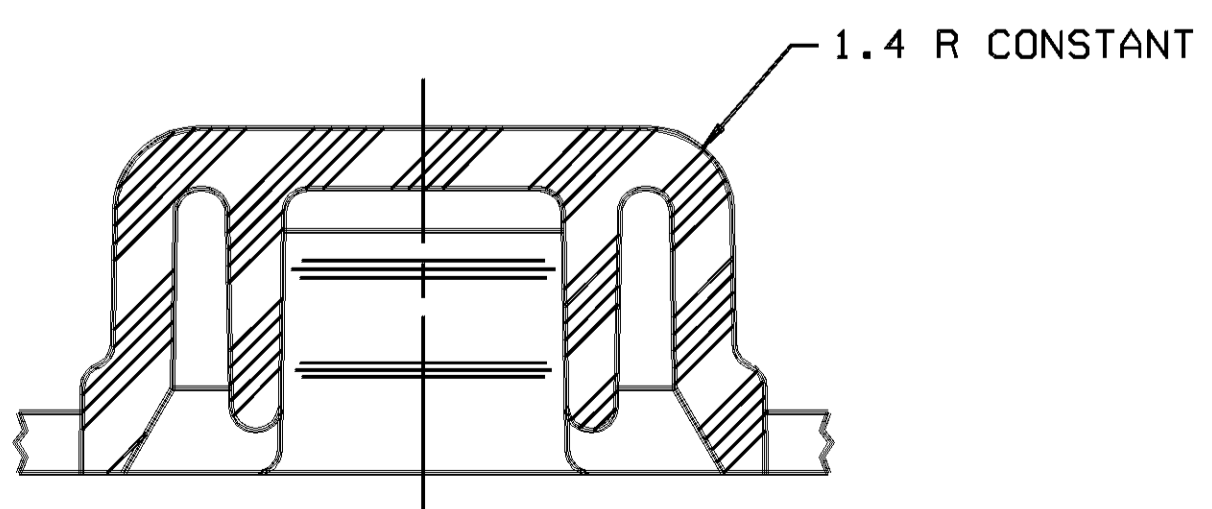
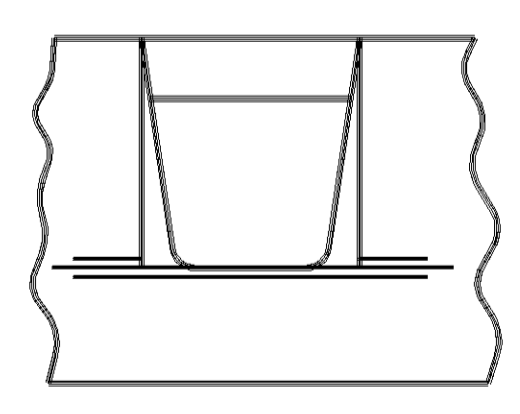
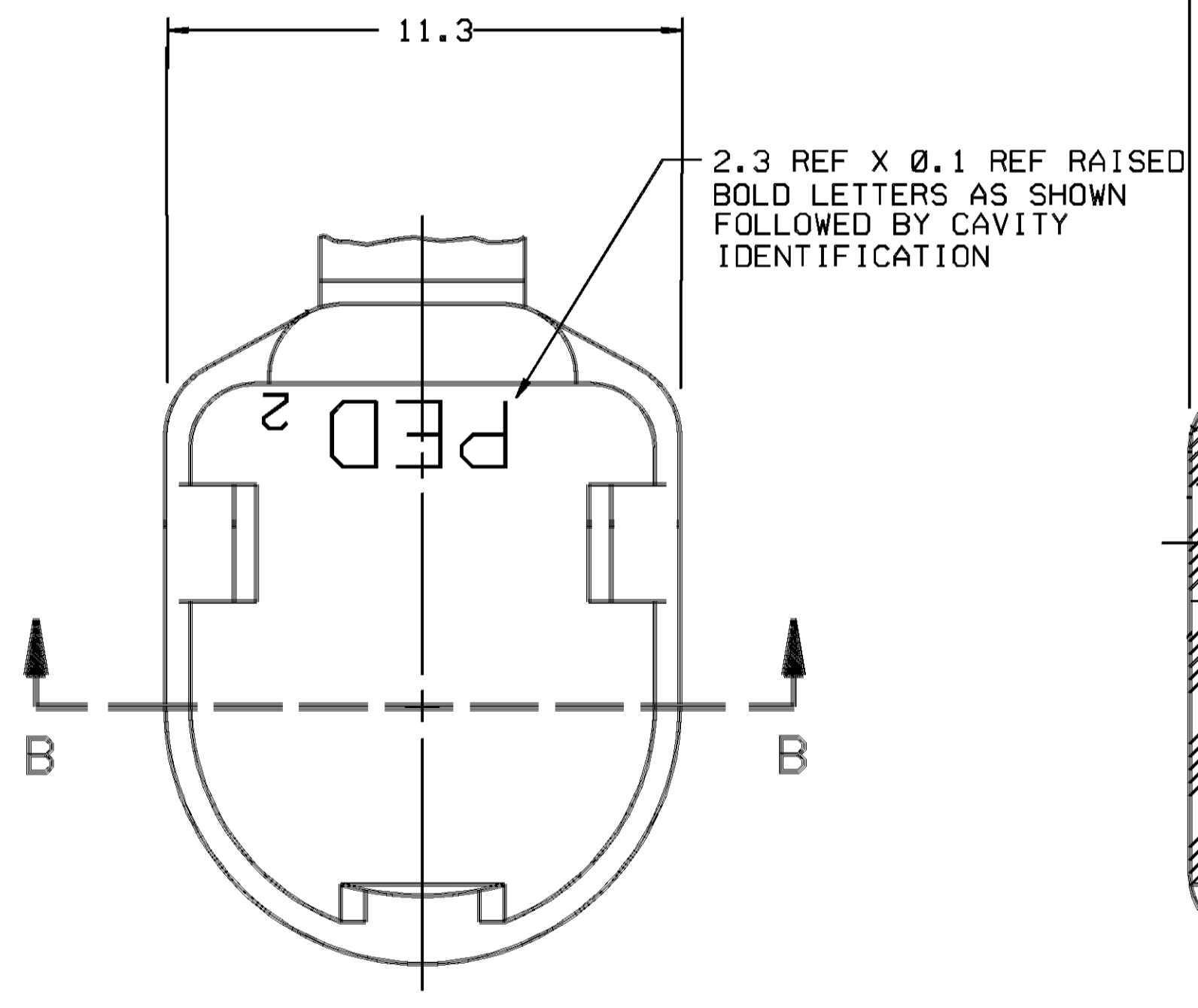
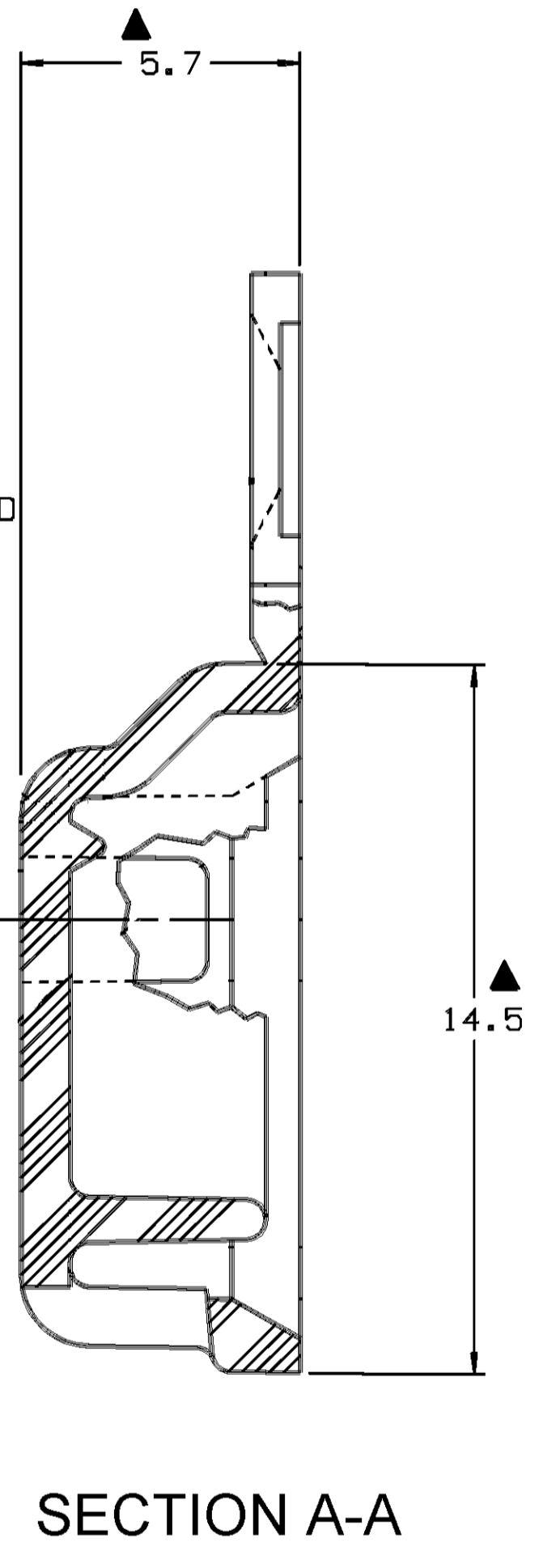
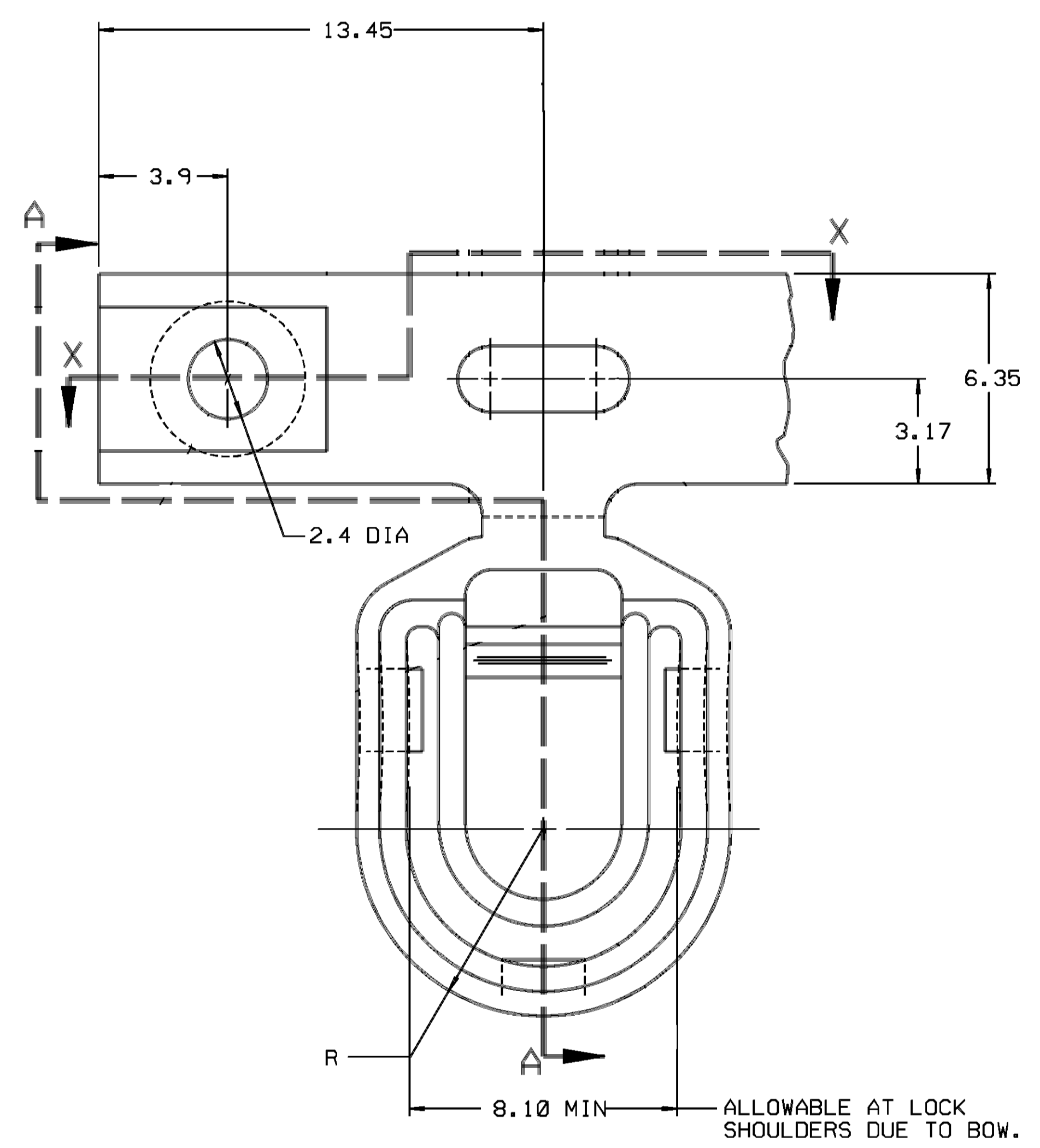
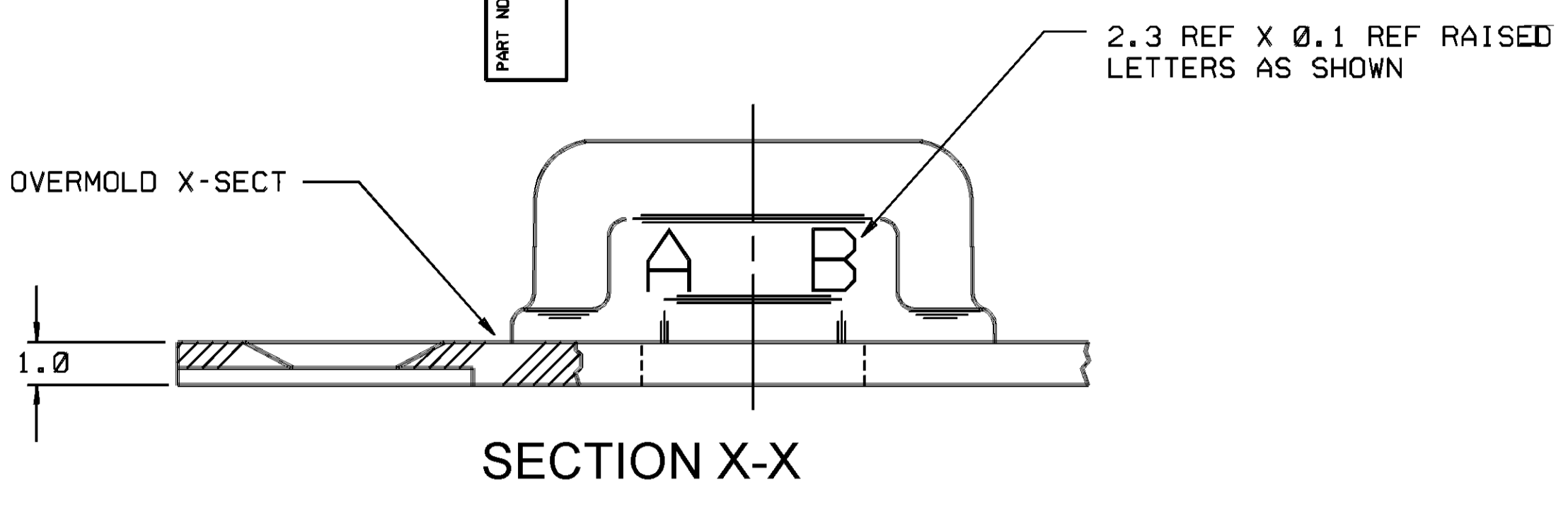
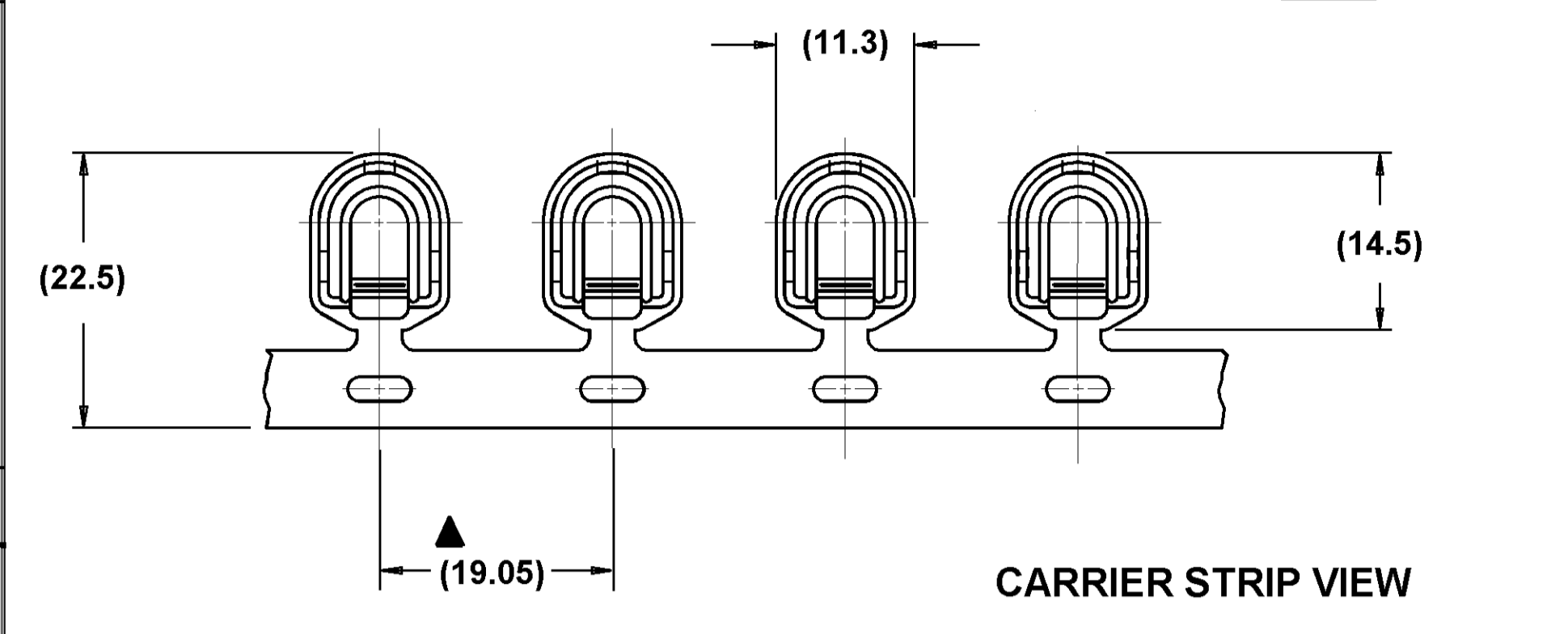


D THIS DRAWING AND DESIGN HEREON CONSTITUTES A PROPRIETARY DESIGN OF PACKARD ELECTRIC DIVISION AND IS NOT TO BE DUPLICATED OR REPRODUCED WITHOUT AUTHORITY OF PACKARD ELECTRIC DIVISION.
DO NOT SCALE

PART NO. 1209 2407

PART NO. 1209 2407

DATE	SYM	REVISION RECORD	AUTHORITY	DR	CK
08NO88	A	DWG COMPLETED		LS	
02DE88	B	REVISED		LS	
13FE89	C	ADDED CONTINUOUS MOLDING INFO	890012	JR	
08MR89		WAS PE017843 AND RELEASED	890005	TEM	TEM
08MY89	D	REVISED	125857	JEH	JEH
20JN89	E	REVISED ALL LOCK FEATURES AND ADDED CONTINUOUS RIB	127700	JMS	TN
26SE89	F	REVISED FRONT LOCK FEATURE, UPDATED REEL INFORMATION	129314	AL	
02MY08	F1	MATERIAL SPEC WAS MX-13731 HYTREL 7246 - NATURAL ; UPDATED PDM ATTRIBUTES			
			404563	DJM	SLS



- NOTES** - 1. DIMENSIONS ARE TO FACE OF VIEW SHOWN, UNLESS OTHERWISE INDICATED.
2. THIS PART IS CONTROLLED FOR AUTOMATIC FEEDING AS DENOTED ON DRAWING WITH '▲'.
3. MATING CONNECTOR 12092404 OR EQUIVALENT.

- PACKAGING NOTES**
- PARTS MUST BE CLEAN - FREE OF ANY FOREIGN MATERIAL SUCH AS DUST, DIRT, MOLD RELEASE, ETC - FOR SUBSEQUENT PROCESSING.
 - SPLICES OTHER THAN SPECIFIED ON THIS DRAWING FOR THE OVERMOLD ARE NOT ACCEPTABLE.
 - MOLD RELEASE AGENT, IF REQUIRED, IS RESTRICTED TO A PAINTABLE TYPE, FREEKOTE 700 OR EQUIVALENT.
 - REEL MATERIALS SPECIFIED (C-7549) MUST INSURE PARTS REMAIN CLEAN THROUGHOUT MATERIAL HANDLING AND PROCESSING.
 - REELS MUST BE PLACED IN CLEAN POLYETHYLENE BAGS AFTER PROCESSING. BAGS MUST BE CLOSED DURING STORAGE AND SHIPMENT.
 - COMPLETED REELS MUST BE LESS THAN 30 LBS IN WEIGHT.

USE 12092438 TAXI AS O.D.

FILE SPEC: MICROSTATION	***USER*** DGN#SPECIFICATION***** *****SYTIME*****
THIRD ANGLE PROJECTION	METRIC DIMENSIONS ARE IN MILLIMETERS UNLESS OTHERWISE SPECIFIED.
CODE NO. 6901	TOLERANCE UNLESS OTHERWISE SPECIFIED DECIMAL: ONE PLACE ± 0.2 TWO PLACE ± 0.10
DWG. DATE: 13FE89	SCALE: 8:1
EST. NO.	DR. JEFF REEVES 13FE89
REFERENCE NO.	APPR. J. M. SENK DATE 13MR89 APPR. J. A. YURTIN DATE 13MR89
MATERIAL SPEC.	TPE COMPOUND NATURAL
NAME	TPA COVER
PART NO.	1209 2407

PACKARD ELECTRIC DIVISION
GENERAL MOTORS CORPORATION
WARREN, OHIO

PACKARD ELECTRIC DIVISION
GENERAL MOTORS CORPORATION
WARREN, OHIO