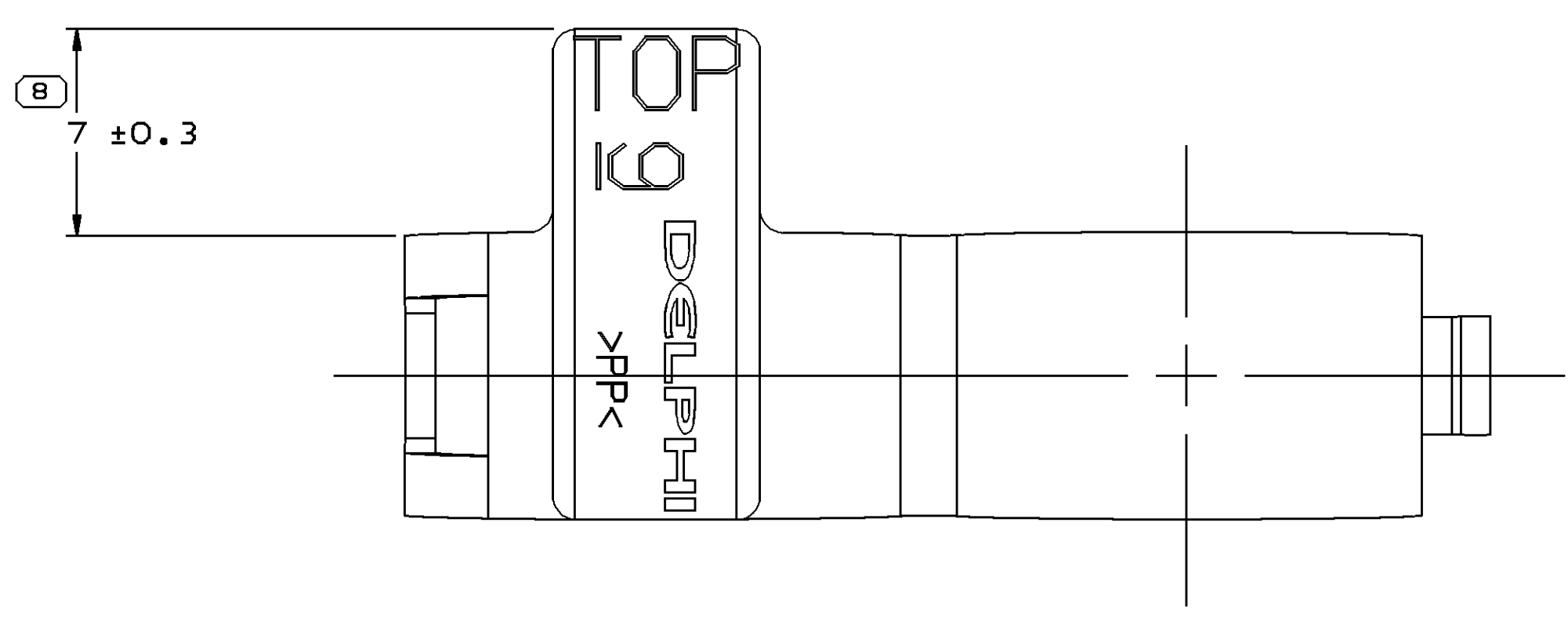
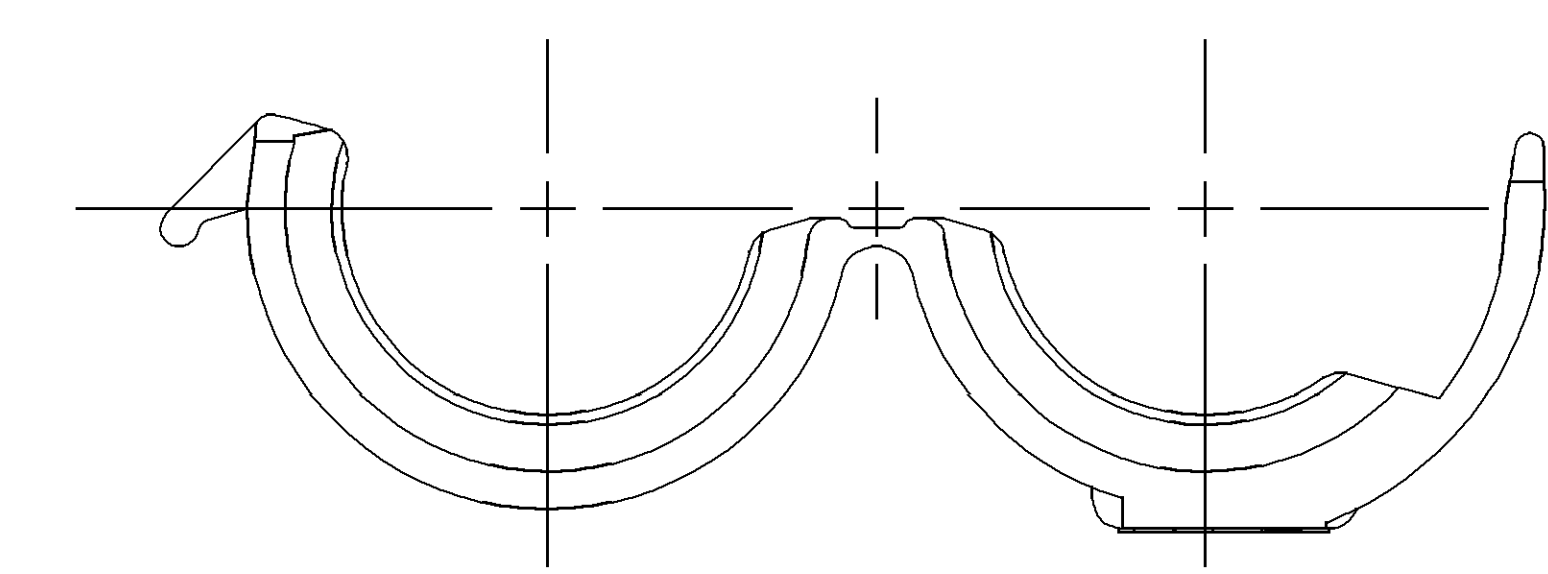
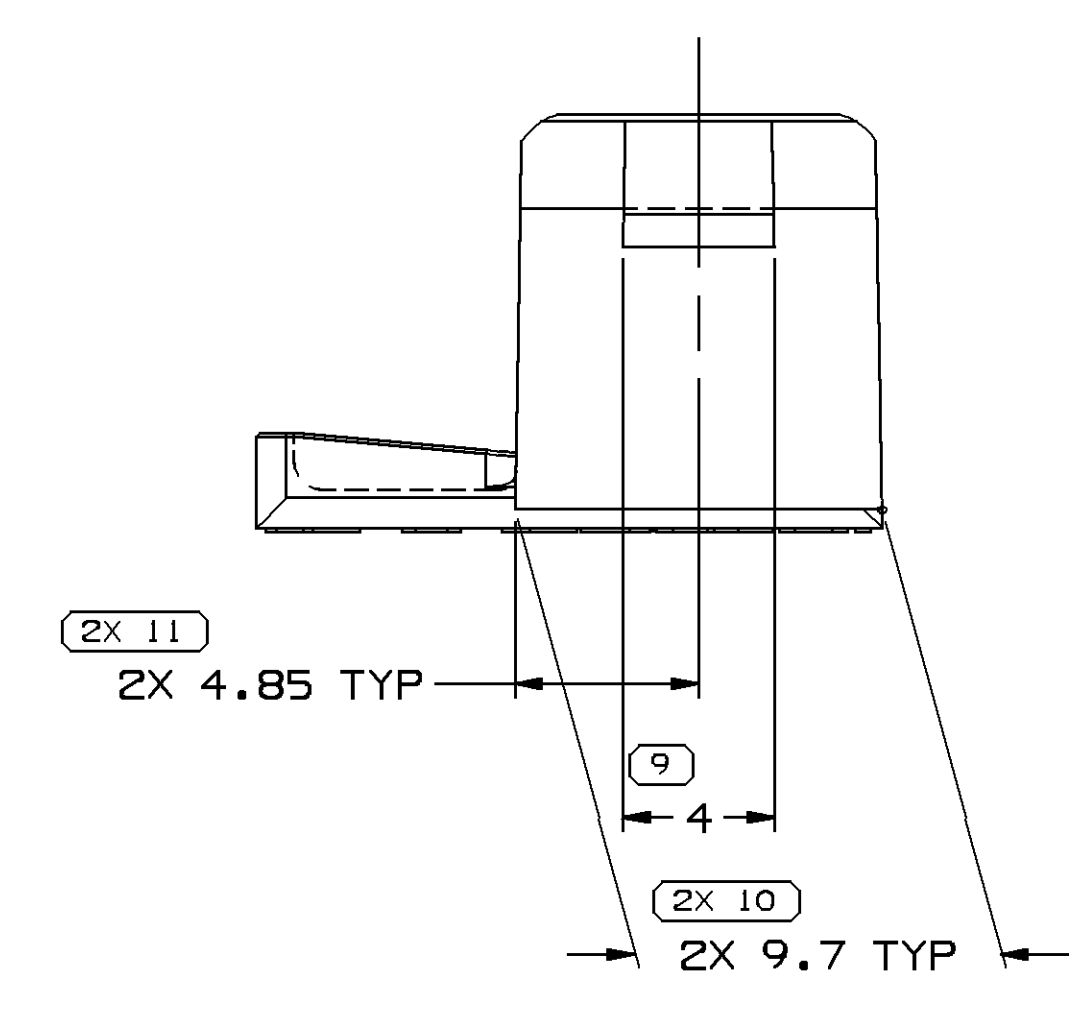
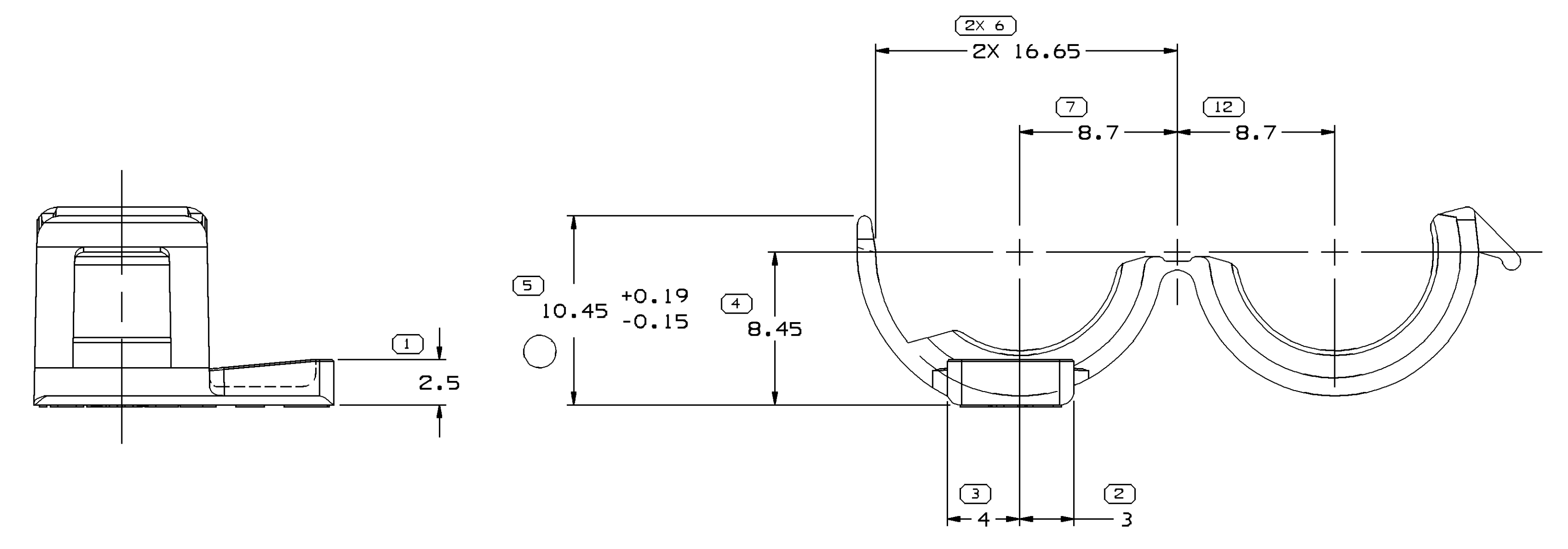
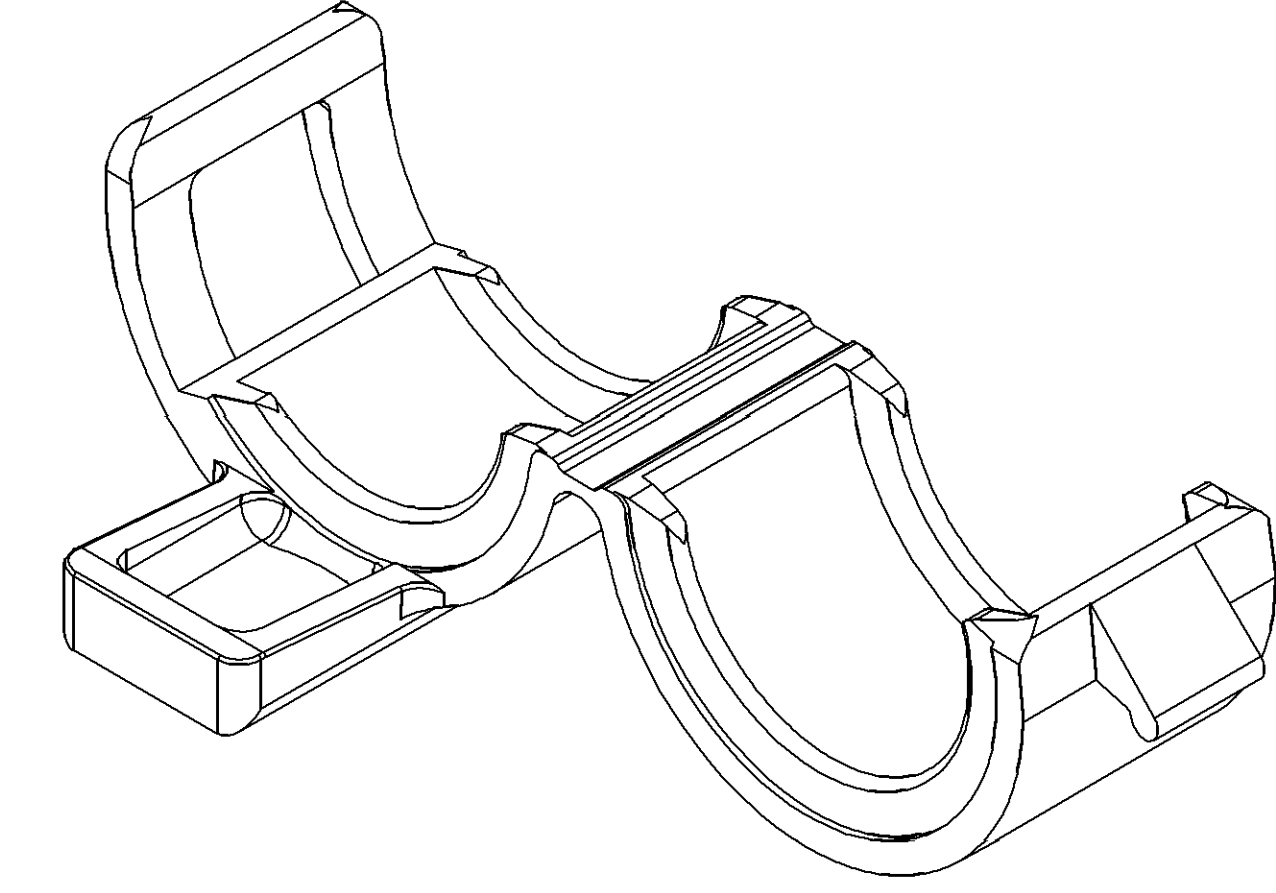
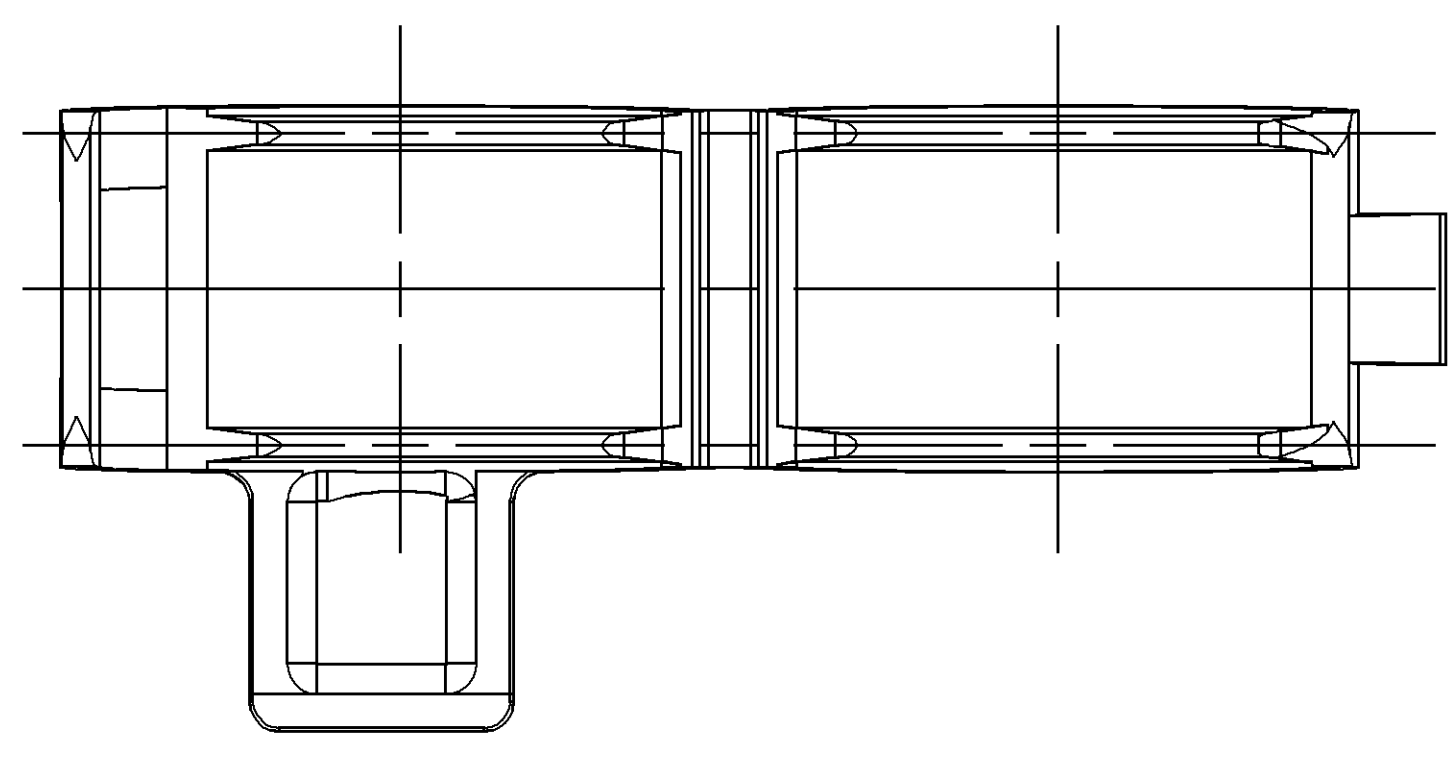


SYMBOL DEFINITION		MISSING SYMBOLS	
A DIMENSION WITHOUT AN INSPECTION REPORT SYMBOL () DOES NOT REQUIRE INSPECTION. IT MAY BE CONTROLLED ON THE INDIVIDUAL COMPONENT DRAWING.	TOTAL NO OF INSPECTIONS REQUIRED	NO MISSING SYMBOL NUMBER	
	15		
	LAST NO. USED		
	12		

DWG STATUS				REVISION HISTORY		AUTH		DR		AP/VD	
DATE	STG	REV	N/P	CHG	ZONE						
31JL03	R	E6	-	-		REDRAWN TO PD	244094	RCH	RCH	FR	FR
25FE04	R	06	-	-		MATERIAL SPECIFICATION WAS M0661002	251737	ECB	AUG	SAN	M
29MR06	R	06	AA	-		DIM #4 AND #5 MOVED (WAS 0.5 & 2X 9.95)	279145	JTZ	JAA	TP	
15JN06	R	06	AB	-		10.45 +.19/- .15 WAS 10.45	281635	MM	MM	ET	



NOTES

- UNLESS OTHERWISE SPECIFIED AND/OR INDICATED: DIMENSIONS ARE TO FACE OF VIEW SHOWN AND AUTOMATICALLY ROUNDED BY COMPUTER FOR INSPECTION (SEE MATH MODEL FOR PRECISE DIMENSIONS). FOR ALL OTHER DIMENSIONS NOT SHOWN BUT REQUIRED FOR TOOL BUILD, SEE MATH MODEL FOR PRECISE TOOL PATH DATA.
- MATERIAL RECYCLING CODE PER ISO 11469. (1)X(0.1) RAISED CHARACTERS AS SHOWN TO BE LOCATED ON ANY EXTERIOR SURFACE. OPTIONAL CONSTRUCTION TO BE NO MATERIAL RECYCLING CODE.
- THIS PART IS NOT CONTROLLED FOR AUTOMATIC FEEDING.
- (1)X(0.1) RAISED DELPHI CORPORATE BRAND TO BE LOCATED ON ANY EXTERIOR SURFACE, PREFERABLY VISIBLE AT FINAL ASSEMBLY. OPTIONAL CONSTRUCTION TO BE "PED" OR NO LOGO.
- FOR USE ON 9MM CONVOLUTED CONDUIT.
- OUTSIDE SURFACES TO HAVE SPI/SPE #6 OR EQUIVALENT FINISH.

DWG TYPE PART DRAWING		DISTR CODE D	
VOLUME ID/PI 0.745		UNLESS OTHERWISE SPECIFIED THIS DOCUMENT IS IN ACCORDANCE WITH ASME Y14.5M-1994 AS MODIFIED BY THE IN-SOURCE DIMENSIONING PRACTICE. DIMENSIONS AND TOLERANCES ARE IN MILLIMETERS UNLESS OTHERWISE SPECIFIED. DIMENSIONS IN PARENTHESES INDICATE DIMENSIONS OF DATUM REFERENCES.	
ALL DIMENSIONS ARE IN MILLIMETERS		THIRD ANGLE PROJECTION	
DO NOT SCALE		DO NOT SCALE	
USE MATH DATA		USE MATH DATA	

DELPHI
DELPHI PACK/ARD ELECTRIC SYSTEMS
WVREN, OH

DR	DATE
APV01 R. CHACON	31JL03
APV02 R. CHACON	04NQ03
APV03 F. ROMERO	06NQ03
APV04	

MATERIAL: M2097001 PP 1M BLK

DRAWING NAME: MOUN CLIP CDT 9MM ATTC BASE

DRAWING NUMBER: 12092517

SCALE: 5:1

SHEET NO: 1 OF 1

STG: R

REV: 06

AB